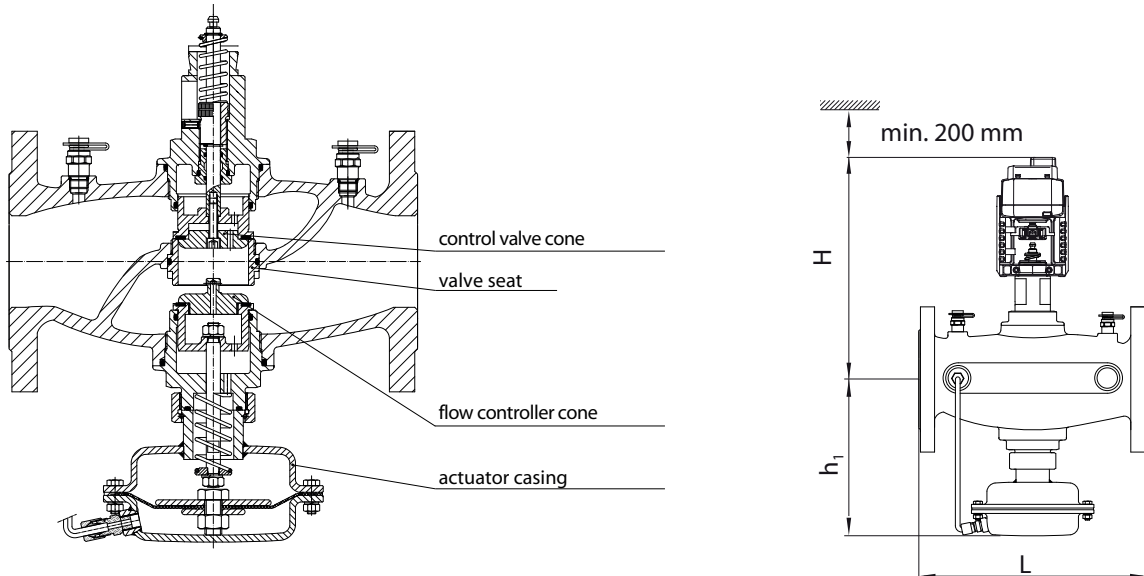


HERZ - Compact Flow Controller with Integrated Control Valve

Data sheet for flanged compact PIBCV PN 16, Issue 0617

☑ Dimensions in mm



Order Nr. PN 16	DN	Stroke [mm]	min. Flowrate @ 25% [m ³ /h]	max. Flowrate @ 100% [m ³ /h]	min. dp [kPa]	H	h1	L
F 4006 62	50	15	3,75	15	40	295	210	230
F 4006 63	65	15	5,00	20	40	295	210	290
F 4006 64	80	20	9,00	36	40	332	230	310
F 4006 65	100	20	10,75	43	40	332	232	350
F 4006 66	125	40	25,00	100	40	520	410	400
F 4006 56	125 HF	40	37,50	150	70	480	480	400
F 4006 67	150	40	36,25	145	40	520	380	480
F 4006 57	150 HF	40	50,00	200	70	520	380	480
F 4006 68	200	40	50,00	200	40	558	560	600

☑ Technical data

Max. operating pressure	16 bar
Max. differential pressure	4 bar
Diff. pressure across the restrictor	0,2 bar
Min. operating temperature	2 °C (pure water)
Min. operating temperature	- 20 °C (frost protection)
Max. operating temperature	110 °C
Valve characteristic	linear
Type of connection	Flanged (EN 1092-2)
Valve body material	EN-GJL-250
Gasket material	EPDM
Cones, stem, seat material	CW617N-R320-S, WN1.4305, WN1.4305
Impulse tube	WN1.4301
Diaphragm material	EPDM

Water purity in accordance with the OENORM H 5195 and VDI 2035 standards.
Ethylene and propylene glycol can be mixed to a ratio of 25 - 50 vol. [%].

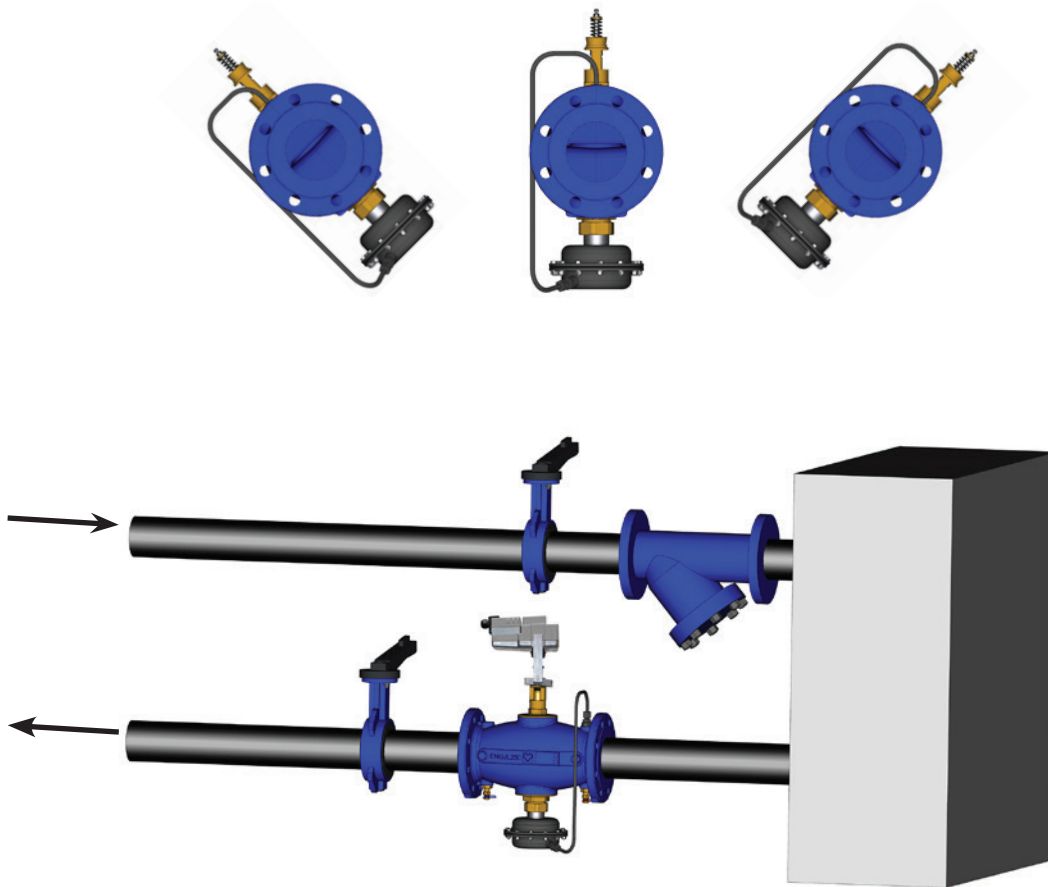
☑ Installation

Recommended installation: Install the valve in the return flow pipe of the system. Electric actuator should be placed in upward position, at $\pm 45^\circ$ angle to the vertical pipe axis.

Permissible installation: The valve should be installed in horizontal supply flow pipes of the system.

The valves must be installed for the correct application using clean fittings. A HERZ strainer (4111) should be fitted to prevent impurities.

For installation, the local and international rules and standards have to be followed.



☑ Flow adjustment

The adjustment of the flow rate is carried out by limiting the valve stroke. The set point for the valve flow limitation can be adjusted by a flow meter or by using the flow charts.

The set point for the flow limitation can be adjusted by turning the adjustable nut.

☑ Electric actuators

The flow controllers are used with three types of actuators.

Use the selection matrix to select the correct actuator.

☑ Safety instructions and disposal

Prior to the assembly, maintenance and disassembly, the system must be depressurized, cooled down and emptied. Only authorized, trained and qualified personnel may perform activities of assembly, start-up, operation and disassembly of the equipment.

Before disposal the valve must be dismantled into groups of structural components and delivered to authorized waste recycling organizations in order to preserve the environment. Local legislations must be obeyed when disposing of the components.

Actuator Selection

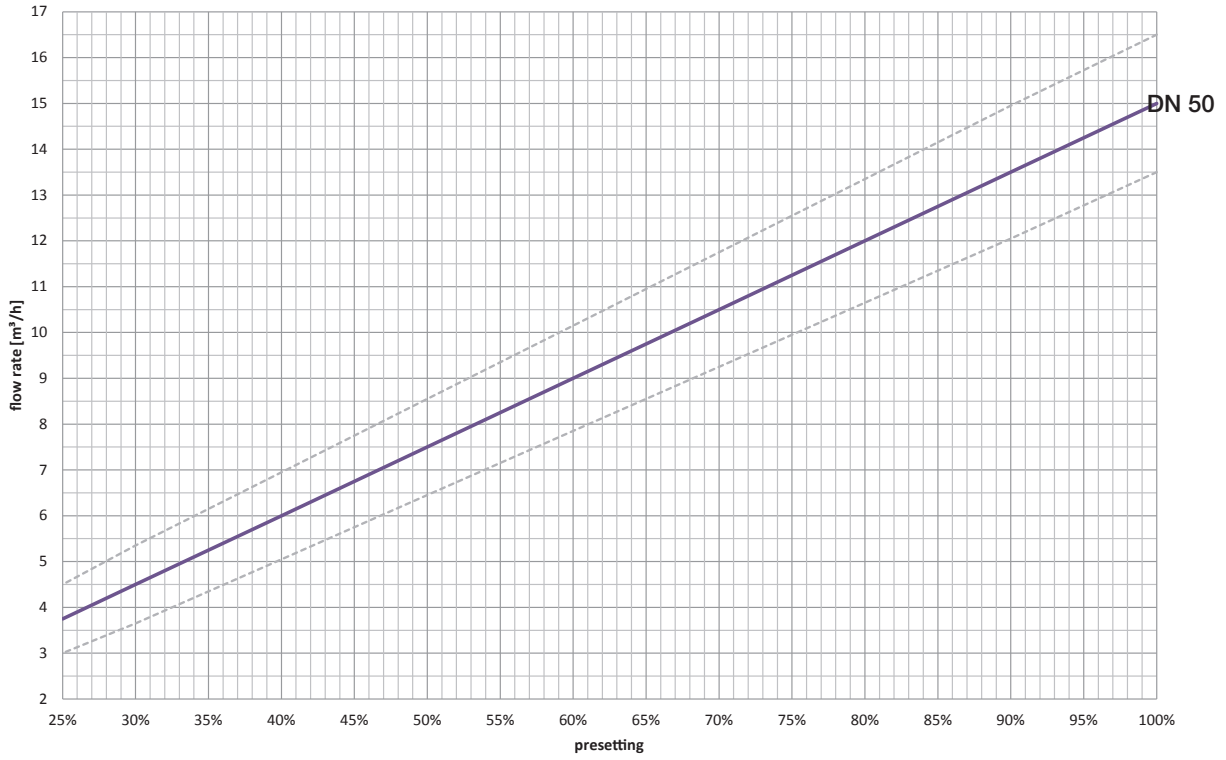
Order Nr. PN 16	DN	Stroke [mm]	24 V; modular	24 V; on-off; 3-pt	230 V; on-off; 3-pt
F 4006 62	50	15	F 7712 90 500 N, 15 mm	F 7712 95 500 N, 15 mm	F 7712 81 500 N, 15 mm
F 4006 63	65	15	F 7712 90 500 N, 15 mm	F 7712 95 500 N, 15 mm	F 7712 81 500 N, 15 mm
F 4006 64	80	20	F 7712 91 1000 N, 20 mm	F 7712 96 1000 N, 20 mm	F 7712 82 1000 N, 20 mm
F 4006 65	100	20	F 7712 91 1000 N, 20 mm	F 7712 96 1000 N, 20 mm	F 7712 82 1000 N, 20 mm
F 4006 66	125	40	F 7712 92 2500 N, 40 mm	F 7712 98 2500 N, 40 mm	F 7712 84 2500 N, 40 mm
F 4006 56	125 HF	40	F 7712 92 2500 N, 40 mm	F 7712 98 2500 N, 40 mm	F 7712 84 2500 N, 40 mm
F 4006 67	150	40	F 7712 92 2500 N, 40 mm	F 7712 98 2500 N, 40 mm	F 7712 84 2500 N, 40 mm
F 4006 57	150 HF	40	F 7712 92 2500 N, 40 mm	F 7712 98 2500 N, 40 mm	F 7712 84 2500 N, 40 mm
F 4006 68	200	40	F 7712 92 2500 N, 40 mm	F 7712 98 2500 N, 40 mm	F 7712 84 2500 N, 40 mm

Please note: all diagrams are indicative in nature and do not claim to be complete.

All specifications and statements within this brochure are according to information available at the time of printing and meant for informational purpose only. Herz Armaturen reserves the right to modify and change products as well as its technical specifications and/or its functioning according to technological progress and requirements. It is understood that all images of Herz products are symbolic representations and therefore may visually differ from the actual product. Colours may differ due to printing technology used. In case of any further questions don't hesitate to contact your closest HERZ Branch-office.

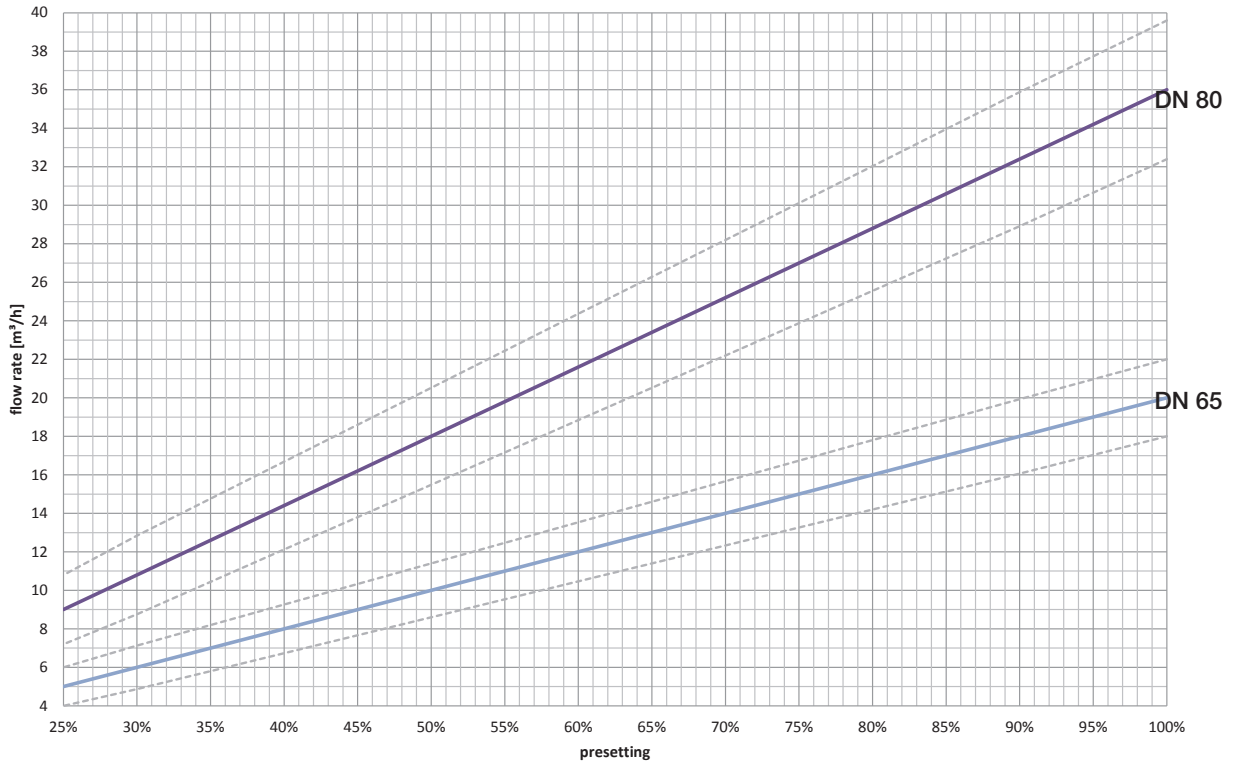
HERZ standard diagram
Order no.: F 4006 62

F 4006 6x
DN50



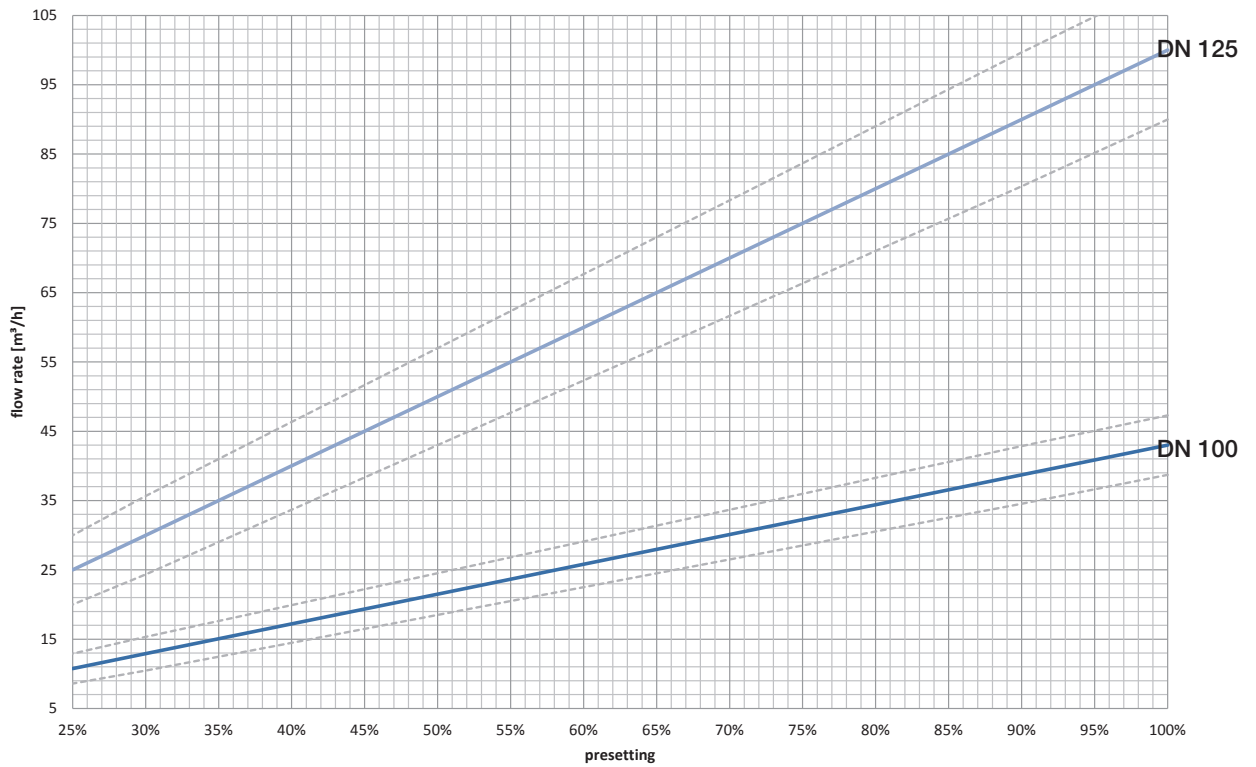
HERZ standard diagram
Order no.: F 4006 63, 64

F 4006 6x
DN65 and DN80



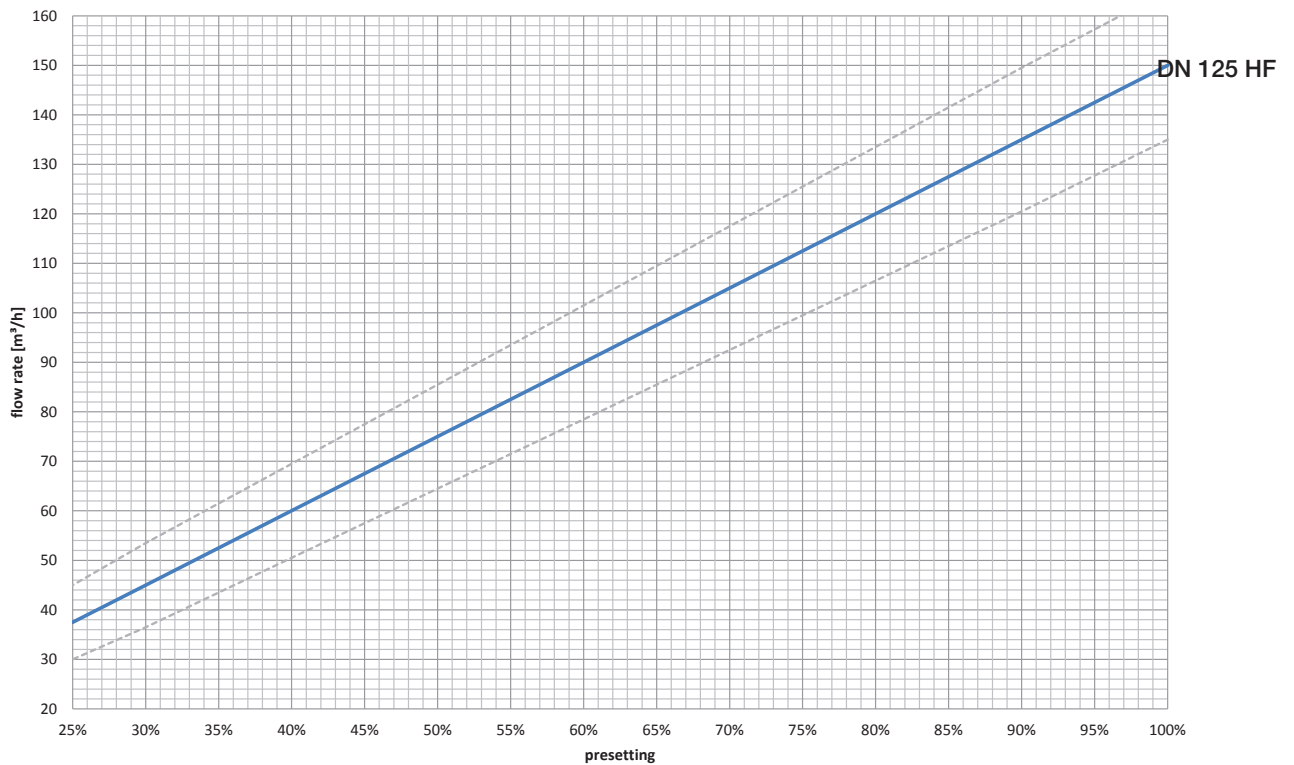
HERZ standard diagram
Order no.: F 4006 65, 66

F 4006 6x
DN100 and DN125



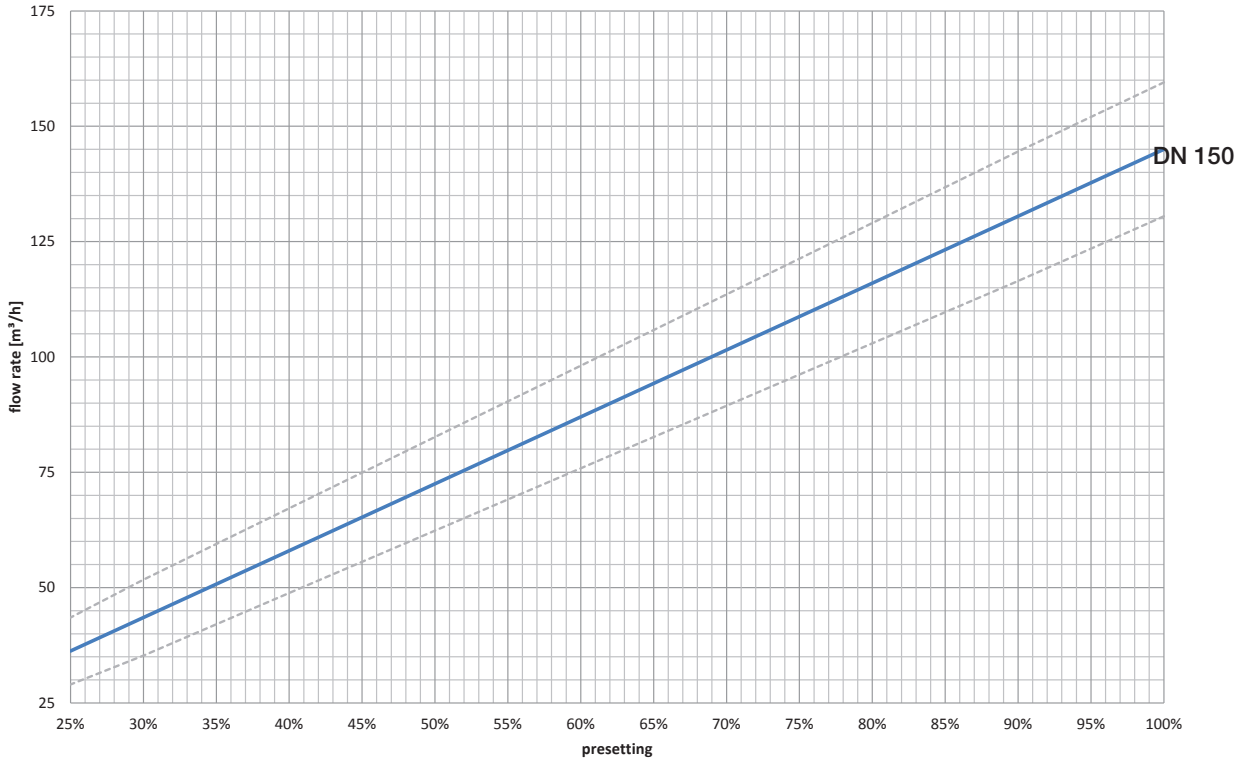
HERZ standard diagram
Order no.: F 4006 56

F 4006 6x
DN125 HF



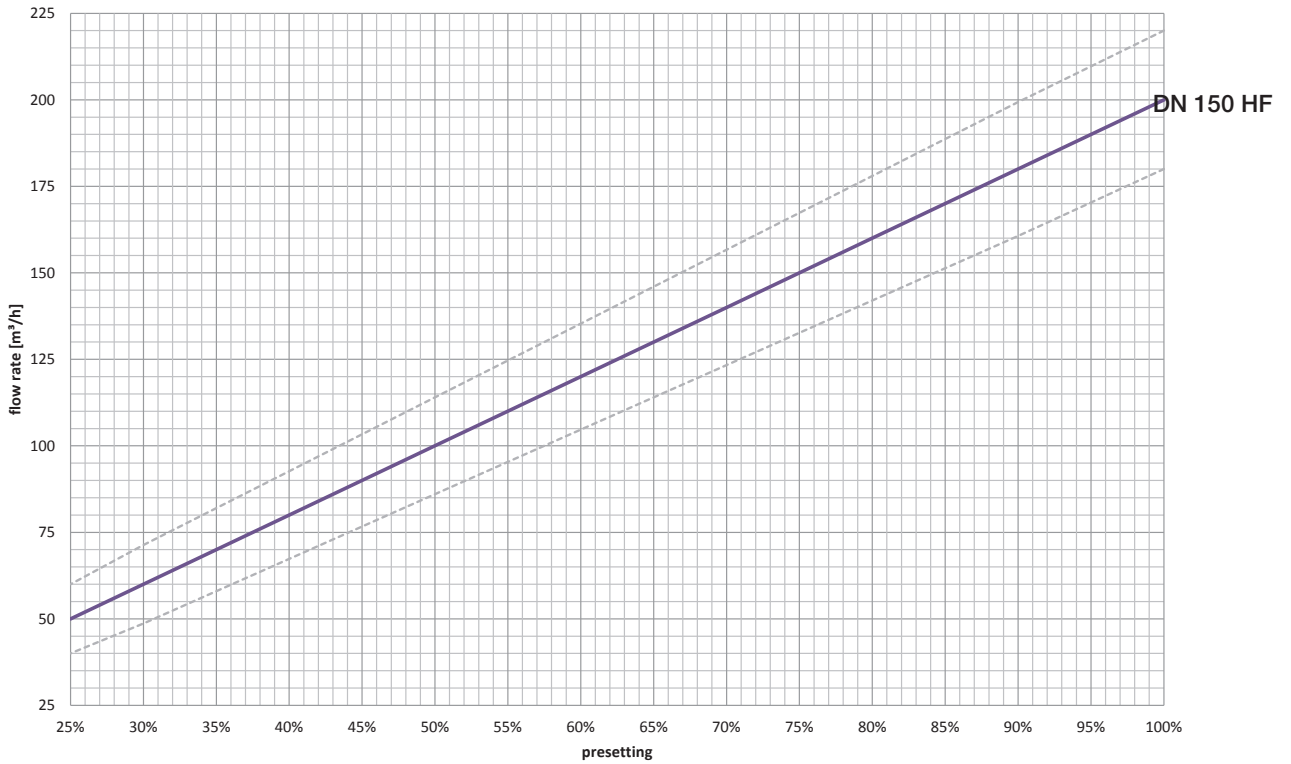
HERZ standard diagram
Order no.: F 4006 67

F 4006 6x
DN150



HERZ standard diagram
Order no.: F 4006 57

F 4006 6x
DN150 HF



HERZ standard diagram
Order no.: F 4006 68

F 4006 6x
DN200

