



ETK 1 8250 10

Electronic Programmable Thermostatic Head

- ✔ Energy cost savings by demand-based regulation
- ✔ Easy installation and handling
- ✔ Boost function for quick, short-term room heating
- ✔ Individually tailored heating phases
- ✔ Holiday function, automatic week programme and manual mode
- ✔ Automatic “open window” - detection function



HERZ Armaturen GmbH

A-1230 Vienna · Richard-Strauss-Strasse 22

Tel./Fax: +43 (0)1 616 26 31-0/-227, www.herz.eu



Electronic Thermostatic Head ETK 1 8250 10

The Thermostatic Head saves energy and costs with built in programmable time control.

Function

With the Radiator Thermostat ETK 1 8250 10 you can conveniently regulate the room temperature. Thanks to pre-programmed or individually tailored heating and cooling phases the desired temperature can be comfortably adjusted. The device adjusts a valve to control the flow of heat to the radiator.

common M28 radiator valves and is easy to mount - without having to drain any water or intervene in the heating system.

The additional boost function enables quick, short-term radiator heating by opening the valve for 5 minutes. This immediately brings a comfortable warmth to the room.

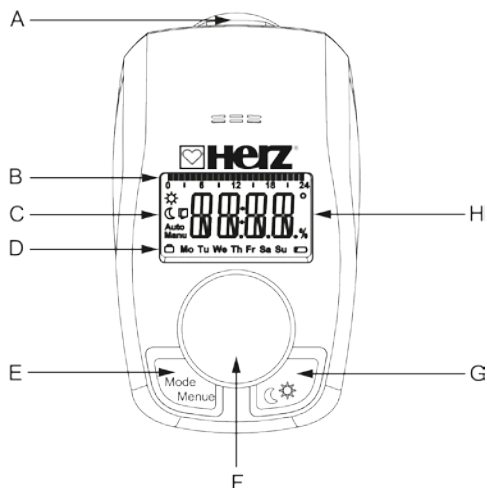
common M28 radiator valves. With adapters the thermostatic head can also be installed on other valves.

Technical Data

Setting range 5°C to 30°C
 Differential: 0,5 K
 Supply voltage: Battery 2 x 1,5 V AA, LR 6
 Battery life: ca. 3 year.
 Adapter M 30 x 1,5 for „H“ and „D“ has to be ordered separately.

Installation

The radiator thermostat fits to all common M28 radiator valves and is easy to mount - without having to drain any water or intervene in the heating system.



- A Brass Union nut M 28 x 1,5 for fitting on the heating valve
- B Bar chart of programmed heating phases
- C Eco/comfort temperature, open-window function, (Manu) manual mode, (Auto) auto mode
- D Holiday function, week day, empty battery symbol
- E Mode/Menu button: Switch between auto mode, manu mode and holiday function (press button shortly); open configuration menu (press button for at least 3 seconds)
- F Handwheel: Change settings, e.g. temperature (turn the handwheel), activate the boost function and confirm / save settings in the menu (press handwheel shortly)
- G Switch between eco and comfort temperature
- H Display of temperature, time and date, menu options, functions

Order number	Model
1 8250 10	ETK Electronic Thermostatic Head M 28 x 1,5
1 6357 11*	Thermostatic Adapter Ring for Caleffi -Thermostatic Valves M 30 x 1.5
1 6362 01*	Thermostatic Adapter Ring D For radiators with integrated valves with Danfoss thermostatic inserts M 20 x 1
1 6362 11*	Thermostatic Adapter Ring D For radiators with integrated valves with Danfoss thermostatic inserts M 23,5 x 1,5

*to be ordered separately