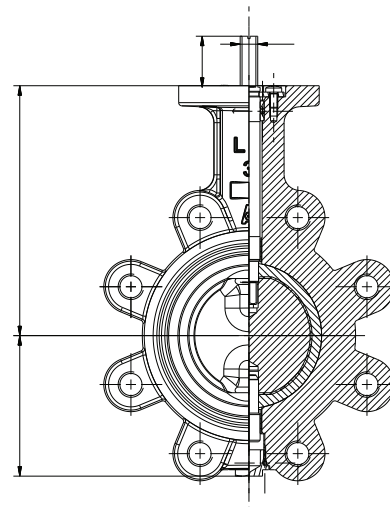
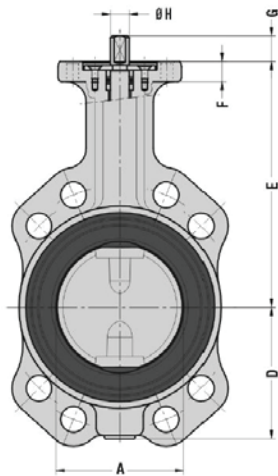
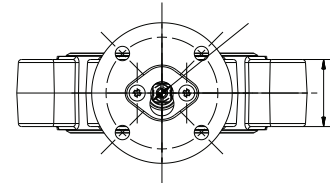
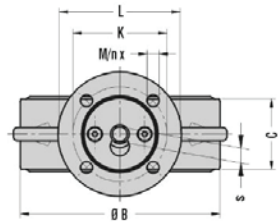


HERZ- Butterfly valves

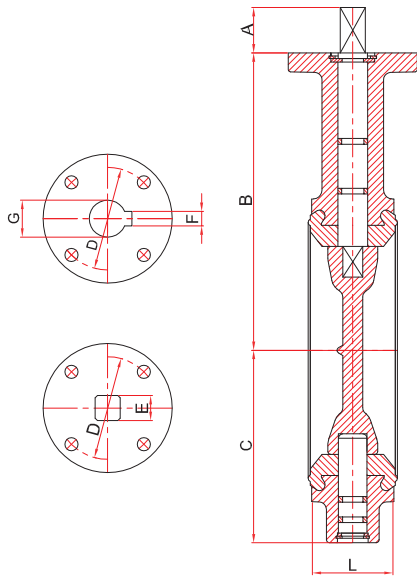
data sheet **4219**, Issue 1014



Type BA

Type BB

DN	Type BA	Type BB	A	B	C	D	E	F	G	H	s	Nm	K	L	M	n	kg Type BA	kg Type BB
50	1 4219 01	1 4219 11	48	92	43	63	125	12	16	12	9	20	50	67	7	4	2,5	3,6
65	1 4219 02	1 4219 12	62	115	46	76	150	12	16	12	9	20	50	67	7	4	3	4,4
80	1 4219 03	1 4219 13	76	130	46	83	157	12	16	12	9	25	50	67	7	4	4	5,9
100	1 4219 04	1 4219 14	95	148	52	96	182	15	19	14	11	50	70	92	9	4	5	8,6
125	1 4219 05	1 4219 15	120	181	56	113	201	15	25	18	14	50	70	92	9	4	6	11
150	1 4219 06	1 4219 16	145	206	56	126	214	15	25	18	14	90	70	92	9	4	9	12
200	1 4219 07	1 4219 17	195	261	60	155	245	18	30	22	17	150	70	92	9	4	13	16
250	1 4219 08	1 4219 18	245	316	68	195	283	20	39	28	22	250	102	130	11	4	25	28
300	1 4219 09	1 4219 19	295	372	78	220	308	20	39	28	22	350	102	130	11	4	34	38,3



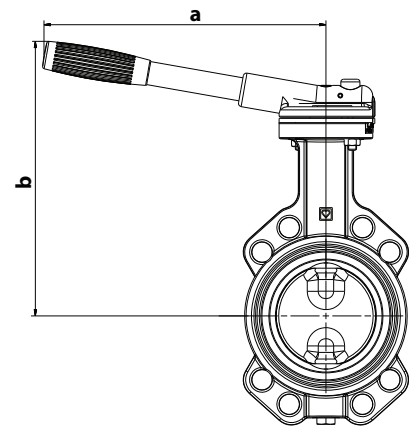
DN*	Type BA	L	C	B	A	F	G	E	Nm	D	kg
350	3 4219 10	78	282	370	45	-	-	22	691	125	59,2
400	3 4219 11	102	310	400	45	-	-	27	1010	140	84,9
450	3 4219 12	114	329	420	50	-	-	27	1010	140	103,6
500	3 4219 13	127	390	480	50	14	48	-	1370	165	150
600	3 4219 14	154	455	565	50	14	48	-	1900	165	193

* DN 350 up to DN 600 only available for non-EU-markets

☑ Dimensions (serial)

DN 200 to
DN 300 with ge-
arbox and hand-
wheel

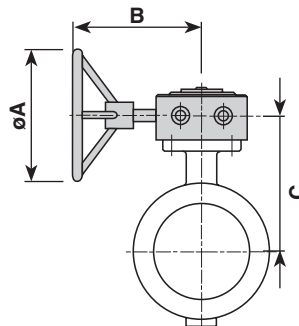
lever size		
DN	a	b
50	216	194
65	216	219
80	216	226
100	265	259
125	265	280
150	265	292



☑ Gearbox

DN	A	B	C
200	160	140	290
250	200	225	335
300	200	225	360

> DN300 gearbox on site



☑ Field of application

The butterfly valve have the body,

Type „BA“: GG, JL 1040, accor. EN 1561

Type „BB“: GGG, JS1030, accor. EN 1563.

The body has blue color (RAL 5017). Inside the body is a rubber liner made of EPDM in accordance with an ISO 1691, up to DN 300 the disc is made of steel, nickel plated and the drive shaft split into 2 parts is made of Stainless Steel 1.4021 accor. to EN 10088. From DN 350 the disc is made of Stainless Steel, the drive shaft is made of Stainless Steel 1.4021 accor. to EN 10088

The valve are available in Semi-lugged (type BA) or Fully-lugged (type BB) versions.

☑ Coating

Primer based on alkyd resins (resin primer) and contains lead and chromate anticorrosive. Top coating with epoxy. Solvent content is less than in the VOC plant regulation in 2002 allowed. Gloss: matt, dry film thickness (DFT): ~ 100 microns

☑ Technical Data

max. Pressure (DN 50 - 200)	16 bar	(for water)
max. Pressure (DN 250 - 600)	10 bar	(for water)
Type BA Semi-lugged	PN 6, 10, 16 to DN 200	
Type BB Fully-lugged	PN 6, 10 to DN 250 PN 10, 16 to DN 150 PN 16 pro DN 200 PN 10 pro DN 250 bis DN 300	

DN	NPS	k_v	zeta
50	2	91 m ³ /h	1,18
65	2,5	206 m ³ /h	0,66
80	3	436 m ³ /h	0,34
100	4	660 m ³ /h	0,36
125	5	1300 m ³ /h	0,22
150	6	2100 m ³ /h	0,18
200	8	4100 m ³ /h	0,15
250	10	6090 m ³ /h	0,17
300	12	9570 m ³ /h	0,14
350	14	10421 m ³ /h	0,28
400	16	12146 m ³ /h	0,27
450	18	16863 m ³ /h	0,27
500	20	22795 m ³ /h	0,23
600	24	27502 m ³ /h	0,25

☑ Application

To use in heating-, cooling-, fire fighting systems and agriculture.

To use for fluids and air.

The use of ethylene glycol and propylene glycol in the mixing ratio is 25 - 50 volume [%] permissible.

☑ Constructional characteristics

The butterfly valves can be used as isolating valves.

the top flange is made for the standard gears and actuating drives accor. to ISO 5211.

The rubber liner protects the body against internal corrosion. No additional seals are required.

After final mounting the body of the butterfly valve ist tested on body strength, body leakage, seat tightness and functionality accor. to ISO 5208.

☑ Accessories:

Screw quality 5.6

Number of screws according to the respective flange and EN 1092.

DN	BA			BB	
	PN6	PN10	PN16	PN10	PN16
50	4x M12x100	4x M16x100	4x M16x100	4x M16x35	4x M16x35
65	4x M12x100	4x M16x100	4x M16x100	4x M16x35	4x M16x35
80	4x M16x100	8x M16x100	8x M16x100	8x M16x35	8x M16x35
100	4x M16x100	8x M16x110	8x M16x110	8x M16x40	8x M16x40
125	8x M16x110	8x M16x120	8x M16x120	8x M16x40	8x M16x40
150	8x M16x110	8x M20x120	8x M20x120	8x M20x40	8x M20x40
200	8x M16x120	8x M20x130	12x M20x130	-	12x M20x45
250	12x M16x130	12x M20x130		M 16 x 40	-
300	12x M20x140	12x M20x150		M 16 x 40	-
350	12x M20x150	16x M20x150			
400	16x M20x150	16x M24			
450	-	20x M24			
500	20x M20	20x M24			
600	20x M24	20x M27			

Please note: all diagrams are indicative in nature and do not claim to be complete.

All specifications and statements within this brochure are according to information available at the time of printing and meant for informational purpose only. Herz Armaturen reserves the right to modify and change products as well as its technical specifications and/or its functioning according to technological progress and requirements. It is understood that all images of Herz products are symbolic representations and therefore may visually differ from the actual product. Colours may differ due to printing technology used. In case of any further questions don't hesitate to contact your closest HERZ Branch-office.