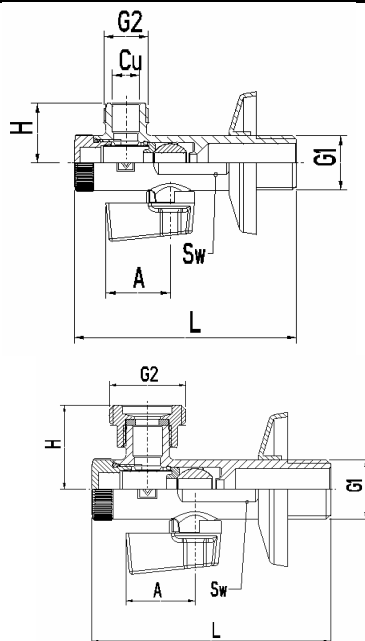
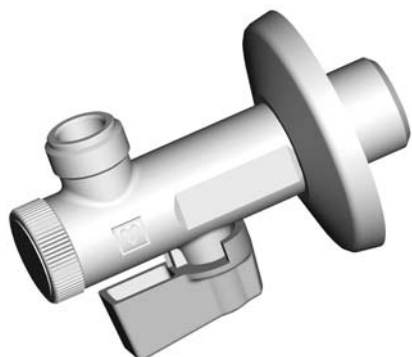


# HERZ BALL VALVE ANGLE FOR WATER

Data sheet for  
KV 553-KV 554  
Valid 06.2007



Model	Dimension:	PN	DN	G1	G2-Cu	L	H	A	Sw	dimensions (mm)
KV 553	1/2"	16	6	1/2"	3/8"-fi10	82	23	24	19	
KV 554	1/2"	16	6	1/2"	3/4"	82	30	24	19	

Body: forged brass acc. EN 12420, chrom plated  
Ball: brass  
Spindle: brass  
Handle: ABS, chrom plated

## Construction

Male thread acc. ISO228

## Connections

EPDM (Etylene-Propilene-Diene rubber) ball and NBR 70 ShA spindle

## Sealing elements

Working pressure: up to 16 bar

## Maximum pressure

Working temperature: 0 °C to 90 °C

## Maximum temperature

Ball valve is used in pipe instalations and in the sanitary systems as open-closed element. We use it in all places where we expect durability even if we exceed working conditions.

## Application

We can use spinning material, teflon ribbon, sealing paste to seal the connection between the pipe and ball valve. Screw ball valva into pipe end with suitable assembly tool. Ball valve does't need special maintenance.

## Instruction for assembling and maintenance

We reserve the right to make modifications  
in line with progress in engineering.



HERZ Armaturen d.o.o.  
Industrijska zona b.b., Nova Pazova, Serbia