

# HERZ-Distributors for floor heating systems

## Rod-type distributor, Dimensions 1" and 5/4"

Data sheet **853X**, Issue 0915

### ☑ System parts

- Distributor-Set with shut off valves or thermostatic valves or flowmeters
- Airvent valves
- Drain valves with hose connection G 3/4
- 2 Pcs. fixing elements for wall or cabinet assembling, pipe clamp with rubber insert
- End caps

Distributor connection with female thread G1

Pipe connections G3/4 with cone

Supply flow or return flow rod mounted optionally top or bottom

Outlets arranged stagger flow

HERZ-Cabinets must be ordered separately, see separate data sheet, product code **8569**

### ☑ Application

The HERZ-rod type distributors are used for distribution from heating circuits in floor heating systems, wall heating systems or ceiling heating. When using a version with flow meter the individual heating circuits can be shut off and regulated. An adjustment of the flow volume is also possible by the shutoff valves, see diagram in Appendix.

The distribution bars are each closed on one side with a plug.

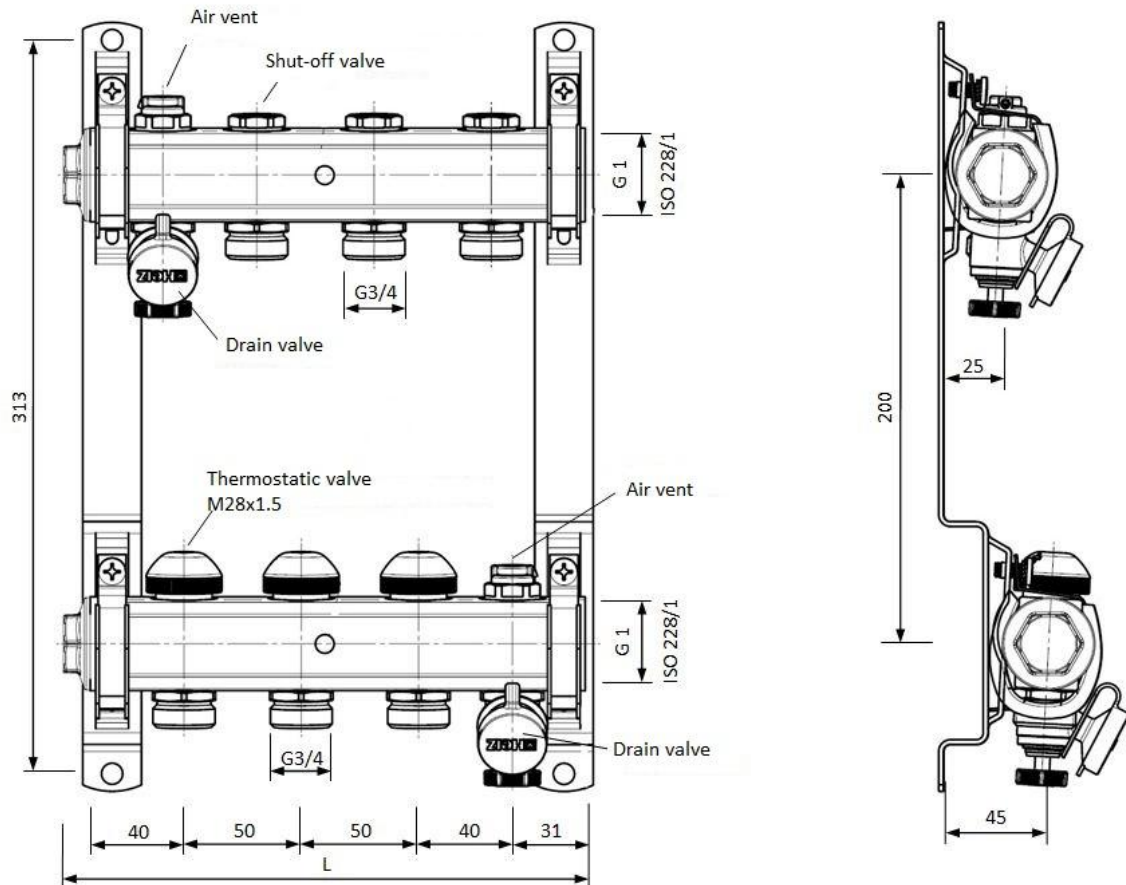
The open distributor input is female threaded G1. So it is possible to connect threaded pipes or with an adapter for HERZ PIPEFIX. We recommend using HERZ shut-off valves or HERZ ball valves.

### ☑ Models

1 <b>8531</b> 0X	Flow supply distributor rod G1 with shut-off valves Return distributor rod G1 with thermostatic valves
1 <b>8531</b> 4X	Flow supply distributor rod G5/4 with flowmeter 0 – 6 l/min Return distributor rod G5/4 with thermostatic valves
1 <b>8532</b> 0X	Flow supply distributor rod G1 with flowmeter 0 – 2,5 l/min Return distributor rod G1 with thermostatic valves
1 <b>8533</b> 0X	Flow supply distributor rod G1 with flowmeter 0 – 6 l/min Return distributor rod G1 with thermostatic valves
1 <b>8534</b> 0X	Flow supply distributor rod G1 with shut-off valves Return distributor rod G1 with shut-off valves

Protective caps are mounted on the thermostatic valves as mechanical protection during construction. These are to be replaced after commissioning by suitable electrical or mechanical drives. The thermostatic upper parts can be equipped with a manual drive 1 **9102** 80 or thermal actuators, these must be ordered separately. Thermal actuators are available in 24V or 230V, NC (normally closed) or NO (normally open) available. The thermal drives can be operated by means of room temperature control or radio control. Room temperature control or wireless control are described in separate data sheets, product code see accessories.

# 1 8531 0X



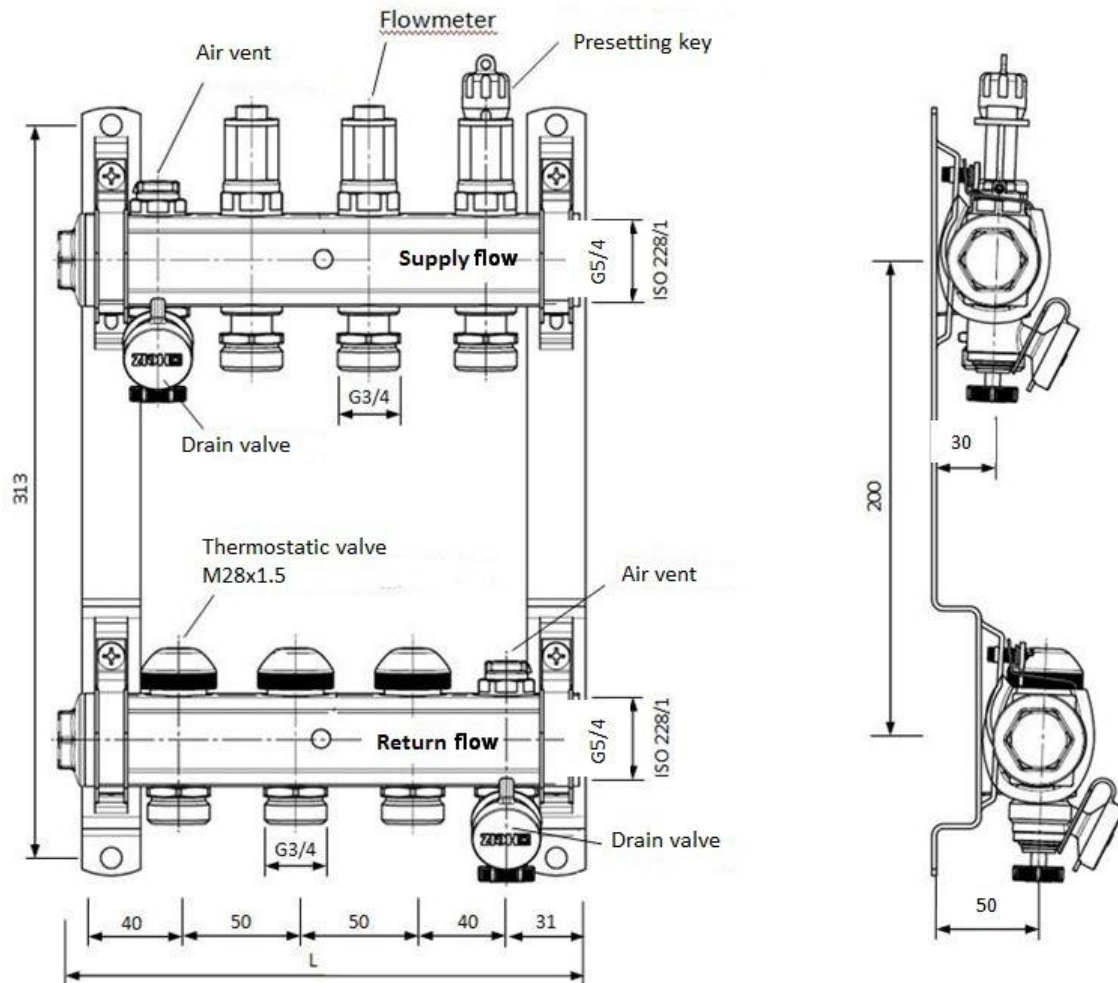
Order number	Outlets	L	Distributor cabinet *)
1 8531 03	3	221	1 8569 03
1 8531 04	4	271	
1 8531 05	5	321	1 8569 04
1 8531 06	6	371	1 8569 05
1 8531 07	7	421	1 8569 10
1 8531 08	8	471	
1 8531 09	9	521	1 8569 15
1 8531 10	10	571	
1 8531 11	11	621	
1 8531 12	12	671	1 8569 20
1 8531 13	13	721	
1 8531 14	14	771	
1 8531 15	15	821	1 8569 25
1 8531 16	16	871	

\*) Minimum size for distributor cabinet. By using shut-off valves the size of distributor cabinet has to be dimensioned larger.

### Spare parts:

- 1 6403 31 Thermostatic upper part
- 1 6413 01 Shut-off upper part

# 1 8531 4X



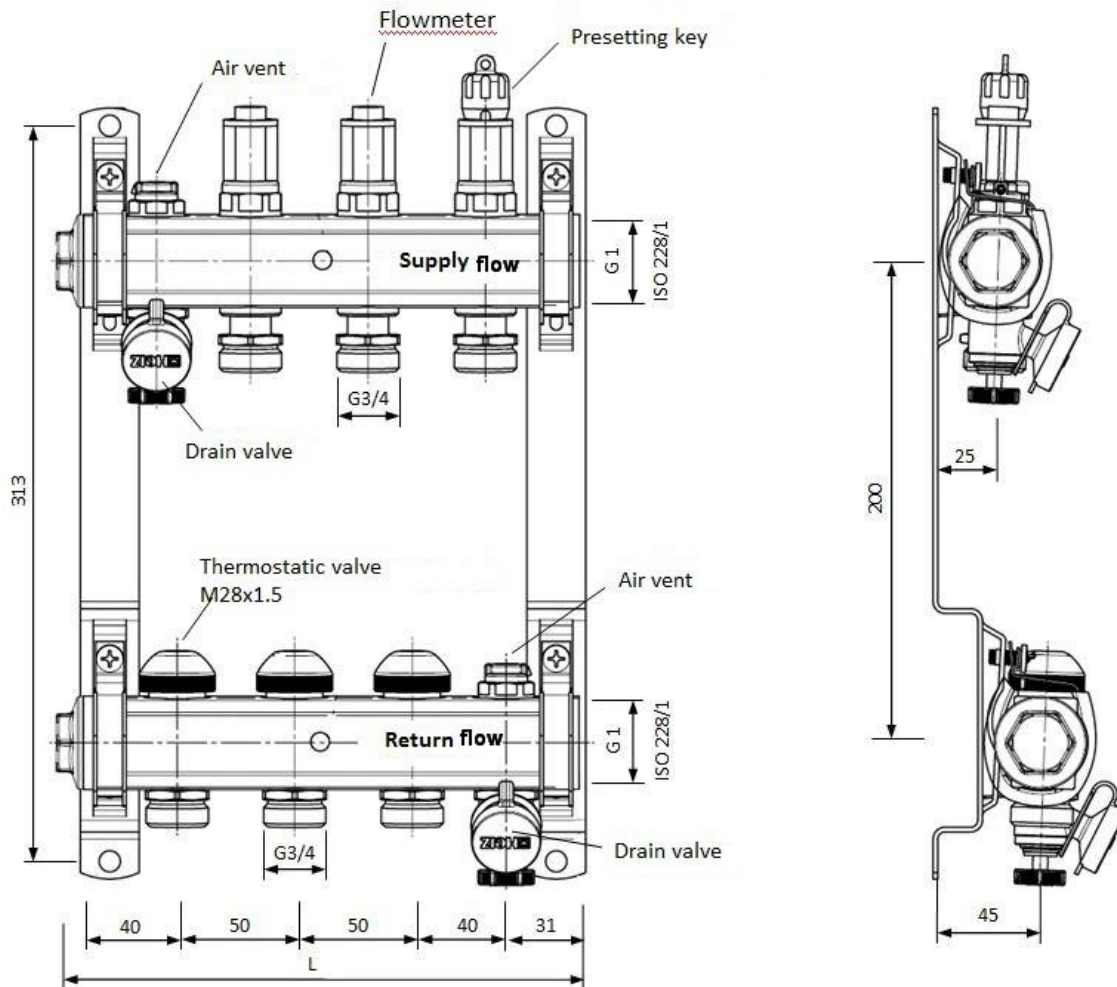
Order number	Outlets	L	Distributor cabinet *)
1 8531 42	2	171	1 8569 03
1 8531 43	3	221	
1 8531 44	4	271	
1 8531 45	5	321	1 8569 04
1 8531 46	6	371	1 8569 05
1 8531 47	7	421	1 8569 10
1 8531 48	8	471	
1 8531 49	9	521	1 8569 15
1 8531 50	10	571	
1 8531 51	11	621	
1 8531 52	12	671	1 8569 20
1 8531 53	13	721	
1 8531 54	14	771	
1 8531 55	15	821	1 8569 25
1 8531 56	16	871	

\*) Minimum size for distributor cabinet. By using shut-off valves the size of distributor cabinet has to be dimensioned larger.

### Spare parts

- 3 F900 02 Flowmeter 0 – 6 l/min
- 1 6819 32 Presetting key for Flowmeter
- 1 6403 31 Thermostatic upper part
- 1 6413 01 Shut-off upper part

# 1 8532 0X



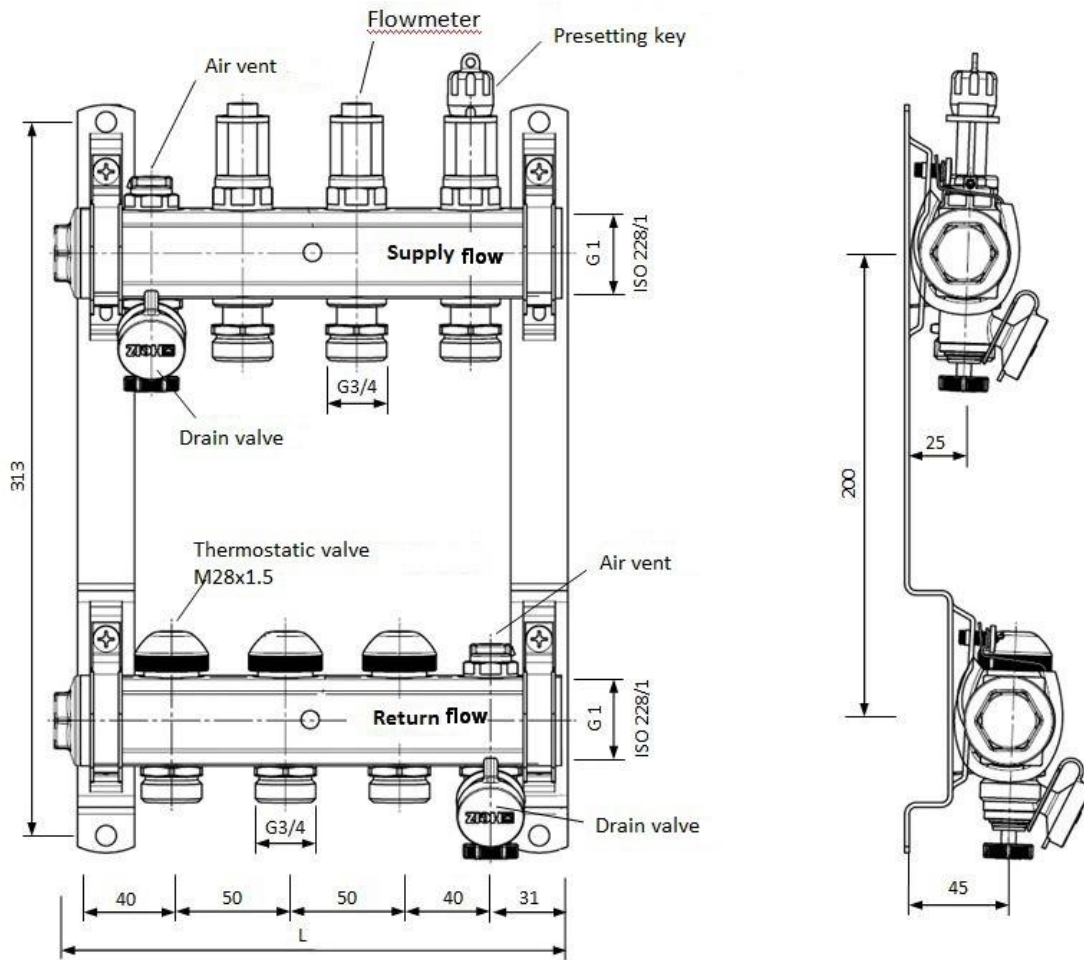
Order number	Outlets	L	Distributor cabinet *)
1 8532 03	3	221	1 8569 03
1 8532 04	4	271	
1 8532 05	5	321	1 8569 04
1 8532 06	6	371	1 8569 05
1 8532 07	7	421	1 8569 10
1 8532 08	8	471	
1 8532 09	9	521	1 8569 15
1 8532 10	10	571	
1 8532 11	11	621	
1 8532 12	12	671	1 8569 20
1 8532 13	13	721	
1 8532 14	14	771	
1 8532 15	15	821	1 8569 25
1 8532 16	16	871	

\*) Minimum size for distributor cabinet. By using shut-off valves the size of distributor cabinet has to be dimensioned larger.

### Spare parts

- 3 F900 01 Flowmeter 0 – 2,5 l/min
- 1 6819 32 Presetting key for Flowmeter
- 1 6403 31 Thermostatic upper part
- 1 6413 01 Shut- off upper part

# 1 8533 0X



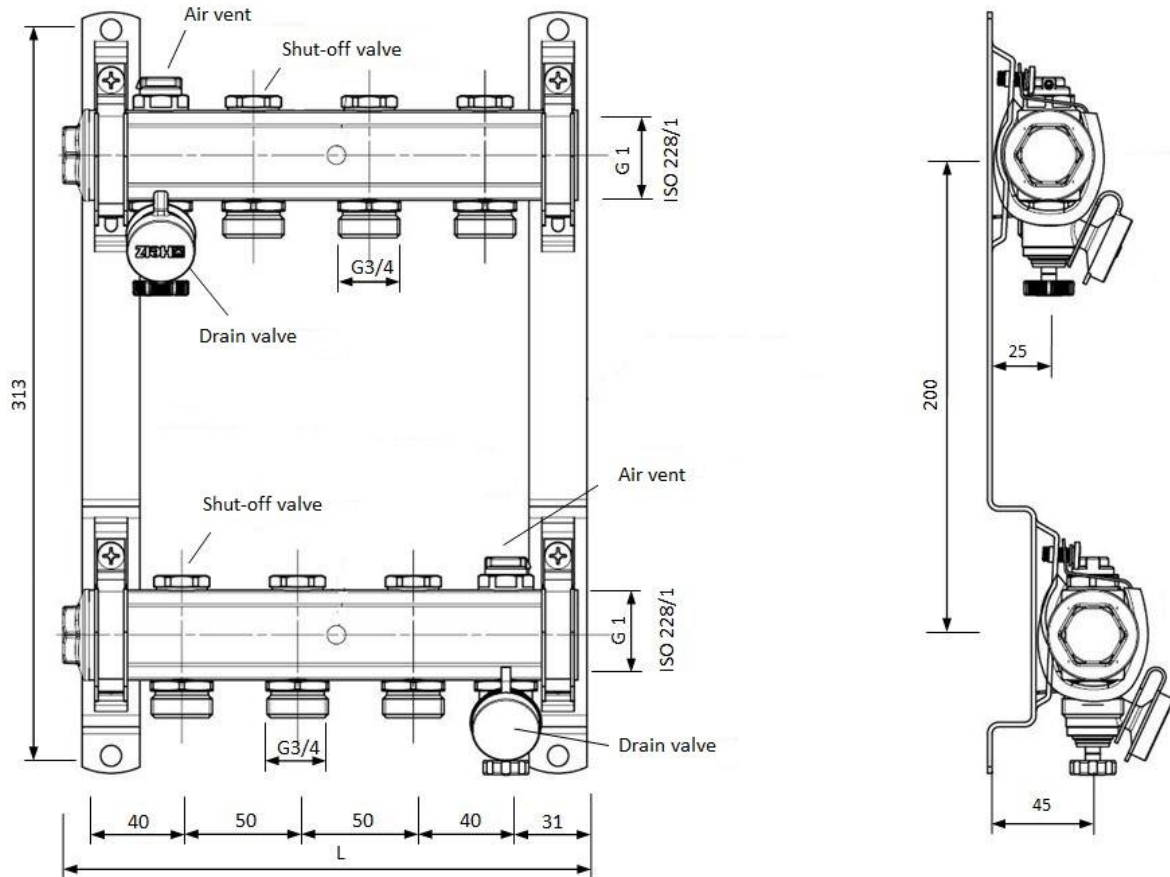
Order number	Outlets	L	Distributor cabinet *)
1 8533 03	3	221	1 8569 03
1 8533 04	4	271	
1 8533 05	5	321	1 8569 04
1 8533 06	6	371	1 8569 05
1 8533 07	7	421	1 8569 10
1 8533 08	8	471	
1 8533 09	9	521	1 8569 15
1 8533 10	10	571	
1 8533 11	11	621	
1 8533 12	12	671	1 8569 20
1 8533 13	13	721	
1 8533 14	14	771	
1 8533 15	15	821	1 8569 25
1 8533 16	16	871	

\*) Minimum size for distributor cabinet. By using shut-off valves the size of distributor cabinet has to be dimensioned larger.

**Spare parts**

- 3 F900 02 Flowmeter 0 – 6 l/min
- 1 6819 32 Presetting key for Flowmeter
- 1 6403 31 Thermostatic upper part
- 1 6413 01 Shut-off upper part

# 1 8534 0X



Order number	Outlets	L	Distributor cabinet *)
1 8534 03	3	221	1 8569 03
1 8534 04	4	271	
1 8534 05	5	321	1 8569 04
1 8534 06	6	371	1 8569 05
1 8534 07	7	421	1 8569 10
1 8534 08	8	471	
1 8534 09	9	521	1 8569 15
1 8534 10	10	571	
1 8534 11	11	621	
1 8534 12	12	671	1 8569 20

\*) Minimum size for distributor cabinet. By using shut-off valves the size of distributor cabinet has to be dimensioned larger.

### Spare parts

1 6413 01 Shut- off upper part

### Air valves

On the supply and return rod, an air valve is mounted in each case. The valves can be operated with the HERZ-universal key 1 6625 00.



**Drain valves**

On the supply and return rod, a drain valve with connection thread G3/4 is provided. A hose connection 1 **6206** 01 can be used additionally. The handwheel is operated by hand to open and close the drain valve.

**Materials**

Rod distributor	Brass, CW614N, EN 12164
Shut-off valves	Brass, CW614N, EN 12164
Thermostatic valves	Brass, CW614N, EN 12164
Sealings	EPDM
Caps	Plastic PP
Sleeve	Plastic PP
Springs	Stainless steel X7, CrNiAl 17 7

**Specification**

max. operating pressure	10 bar
min. operating temperature	0 °C
max. operating temperature	110 °C

Heating water according ÖNORM H5195 or VDI- Standard 2035.

The use of ethylene, or propylene glycol in a mixing ratio 25-50% is allowed.

The actually permissible operating data depend on the pipes or clamp connections used.

For plastic pipe connections shall, if permitted by the pipe manufacturer:

Max. operating temperature	80°C
Max. operating pressure	4 bar

Higher operating pressure is permitted only after written approval by HERZ. When using HERZ compression unions for copper and steel pipes, the permissible temperature and pressure ratings according to EN 1254-2:1998 as shown in table 5.

**Installation and Maintenance:**

The HERZ rod distributors can be mounted using the supplied brackets distribution directly to a wall or in a distributor cabinet. The mounting position is arbitrary.

Distributor with flow meter must always be used in the supply flow. The factory setting is fully open and be adjusted by using the supplied adjusting key turned clockwise. The set amount of flow volume can be read directly at the inspection glass.

To avoid sticking of thermostatic valves monthly operating is recommended.

No mineral oil lubricant may be used for the maintenance of valves. These damage the sealing elements. Silicone-based lubricant are allowed.

**Valves for Distributors:**

**Shut-off valves**

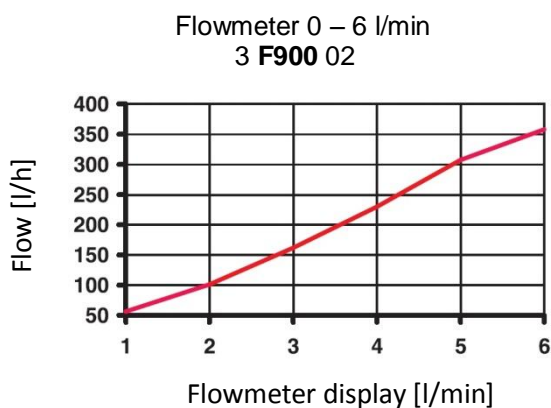
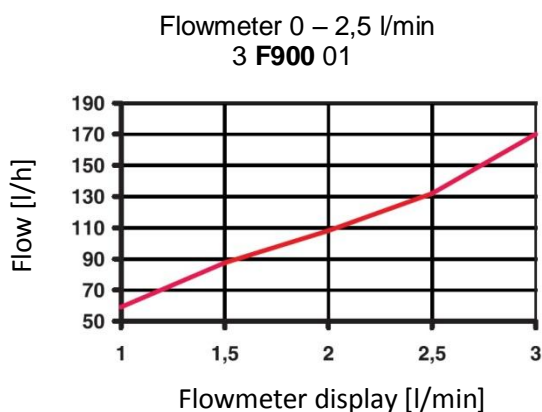
The shut-off valves be operated with an allen wrench size 5mm. Turn to the right (clockwise) until it stops, the valve is closed.

**Thermostatic valves**

Are open by spring force and can be closed with protective cap, manual drive or thermal actuator.

**Flowmeter**

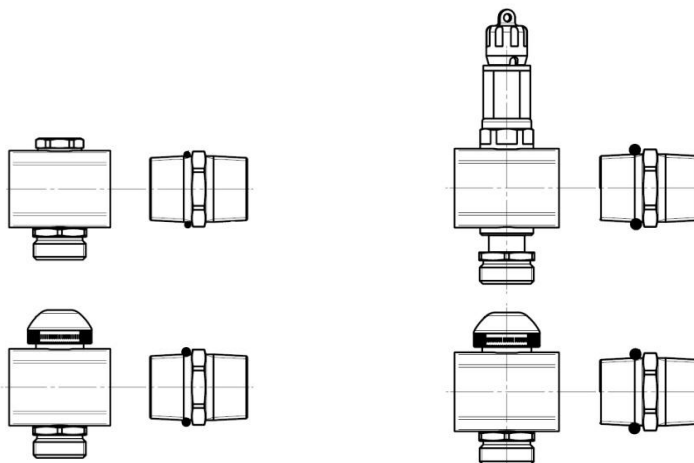
To adjust the flow volume or close the valve use adjustment key 1 **6819** 32 on top of the knurl and rotate clockwise.



**Single outlet set:**

For the subsequent expansion of the manifold individual finish sets are available in various designs. Two double nipples are included for connection.

- 1 8531 93 Single take suit distribution 1 8531 0X, Dimension G 1.
- 1 8532 93 Single take suit distribution 1 8532 0X, Dimension G 1.
- 1 8533 93 Single take suit distribution 1 8533 0X, Dimension G 1.



1 8531 93

1 8532 93, 1 8533 93

**Accessoires:**

- 1 6819 32 Presetting key
- 1 6625 00 Universal key
- 1 6403 31 Thermostatic upper part
- 1 6413 01 Shut-off upper part
- 3 F800 01 Flowmeter 0 – 2,5 l/min
- 3 F800 02 Flowmeter 0 – 6 l/min

All specifications and statements within this brochure are according to information available at the time of printing and meant for informational purpose only. Herz Armaturen reserves the right to modify and change products as well as its technical specifications and/or its functioning according to technological progress and requirements. It is understood that all images of Herz products are symbolic representations and therefore may visually differ from the actual product. Colours may differ due to printing technology used. In case of any further questions don't hesitate to contact your closest HERZ Branch-office.

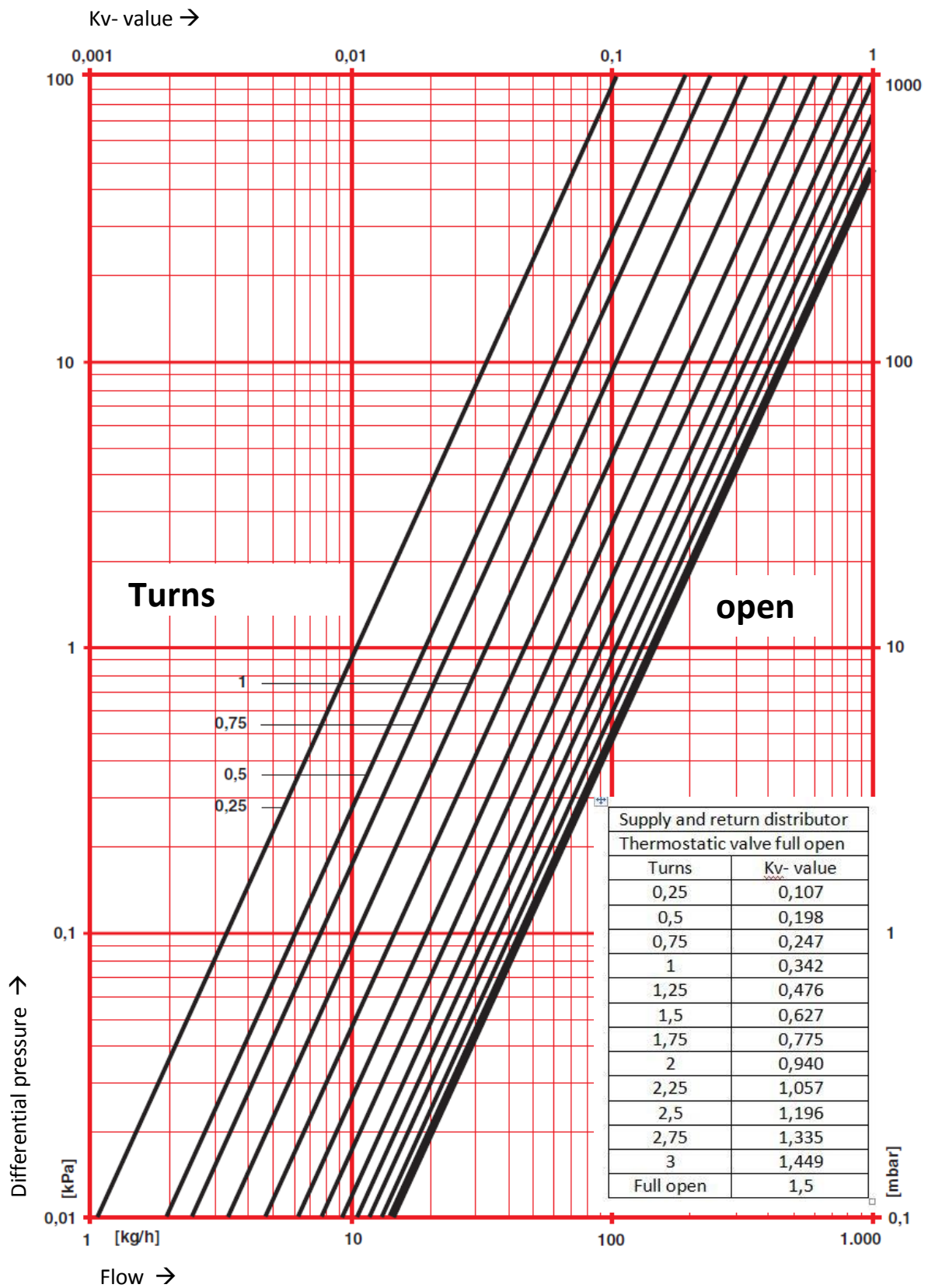


HERZ-Standard diagram

Distributor for floor heating

Order #: 8531, 8532, 8533, 8534

Shut-off valves 3 – 16 Outlets



HERZ-Standard diagramm	Distributor for floor heating
Order #: 8531, 8532, 8533, 8534	TS-Valves 3 – 16 Outlets

