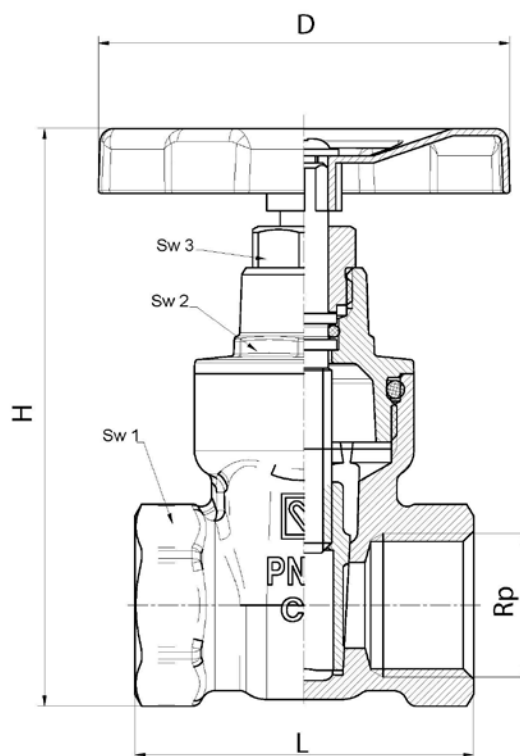


HERZ-Single-wedge gate valve

Data sheet for 4112 / 4113, Issue 0121

☑ Dimension in mm



4112, 4113

☑ Model

4113 1x and 4112 3x according to EN12288.

Order number	DN	Rp	SW1	SW2	SW3	D	H	L
1 4113 11 1 4112 31	15	1/2	27	21	15	60	84	49,4
1 4113 12 1 4112 32	20	3/4	32	21	15	60	89	52,4
1 4113 13 1 4112 33	25	1	39	26	15	70	108	61
1 4113 14 1 4112 34	32	5/4	49	37	15	70	128	69,6
1 4113 15 1 4112 35	40	6/4	55	41	21	88	145	74
1 4113 16 1 4112 36	50	2	68	41	25	88	176	89

☑ Material and technical data

Ausführung	1 4113 1X	1 4112 3X
Body	DZR brass CW 602N	DZR brass CW 602N
Upper part	DZR brass CW 602N	DZR brass CW 602N
Handwheel	sheet steel, coated, red	sheet steel, coated, black
Sealing	O-rings EPDM	O-rings FKM
Max. operating pressure	20 bar	20 bar
Max. operating temperature	120 °C (water, no steam)	120 °C (water, no steam)
Connection thread	ISO 7-1 Rp	ISO 7-1 Rp
Water quality	Heating water quality according to ÖNORM H5195 or VDI-Standard 2035. The use of ethylene or propylene glycol in a mixing ratio 25- 50 % is allowed.	
Also suitable for		fuel oil (max. operating temperature 60 °C)

Field of application

4113

For all nonaggressive fluids for domestic, commercial and industrial applications. Suitable for hot and cold water according to ÖNORM H5195 or VDI-Standard 2035.

4112

Suitable for hot and cold water according to ÖNORM H5195 or VDI-Standard 2035 and for fuel oil.

Model 1 4113 1x

O-ring sealing EPDM

The O-ring sealing guarantees certain positive sealing. A very smooth operation of the spindle can be ensured. EPDM gaskets can be affected by mineral oil lubricants and thus lead to failure of the seals.

Model 1 4112 3x

O-ring sealing FKM

The O-ring sealing guarantees certain positive sealing. A very smooth operation of the spindle can be ensured. O-ring sealing FKM is resistant to heating oil.

Spare parts

1 6519 11	Hand wheel red, square 6mm, D 60mm	for 4113
1 6519 12	Hand wheel red, square 7mm, D 70mm	for 4113
1 6519 13	Hand wheel red, square 7mm, D 88mm	for 4113
1 6519 21	Hand wheel black, square 6mm, D 60mm	for 4112
1 6519 22	Hand wheel black, square 7mm, D 70mm	for 4112
1 6519 23	Hand wheel black, square 7mm, D 88mm	for 4112

Materials note

HERZ uses top-quality brass.

Pursuant to Article 33 of the REACH Regulation (EC No. 1907/2006), we are obliged to point out that the material lead is listed on the SVHC list and that all brass components manufactured in our products exceed 0.1% (w / w) lead (CAS: 7439-92-1 / EINECS: 231-100-4). Since lead is a component part of an alloy, actual exposure is not possible and therefore no additional information on safe use is necessary.

Disposal

Local and currently applicable legislation must be observed for disposal.