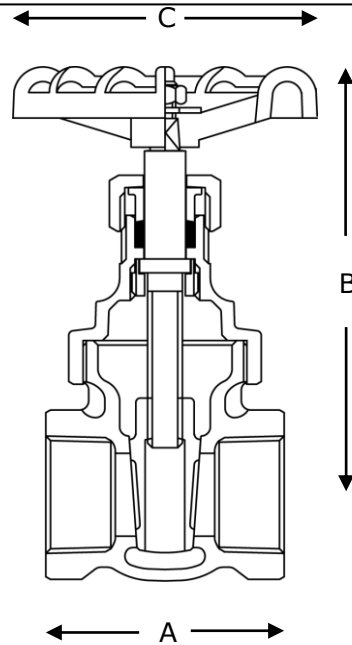


# HERZ Bronze Gate Valve PN20

Standard sheet for  
HV5520 (0810)



		Specification	
Component	Material	BS EN	ASTM
Handwheel	Cast Iron	1561 EN-JL 1030	A 126 CL B
Stem	Brass	12164 CW 603N	B16 C36000
Gland Packing	PTFE		
Stem Ring	Brass	12164 CW 603N	B16 C36000
Bonnet	Bronze	1982 CC491K	B62-C83600
Wedge	Bronze	1982 CC491K	B62-C83600
Body	Bronze	1982 CC491K	B62-C83600

Materials

Dimensions							
Size	(inches)	1/2"	3/4"	1"	1 1/4"	1 1/2"	2"
A	mm	48	52	59	63	67	74
B	mm	78	94	109	120	142	163
C	mm	53	64	69	80	89	102
Weight	kg	0.3	0.5	0.7	1.0	1.3	1.9

Dimensions

BS EN 12288:2010

Pressure/Temperature Rating

9 bar @ 180°C

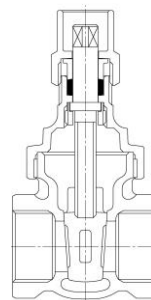
20 bar @ -10 to 100°C

BS21 Taper Thread (ISO 7)

Test pressures.

Shell 30 bar

Seat 22 bar



Specification

**Lockshield versions are also available in all sizes**



Herz Valves UK Ltd

Progress House

Moorfield Point

Moorfield Road

Guildford

Surrey

GU1 1RU

Tel 01483 502211

Fax 01483 502025

Sales@herzvalves.com

www.herzvalves.com