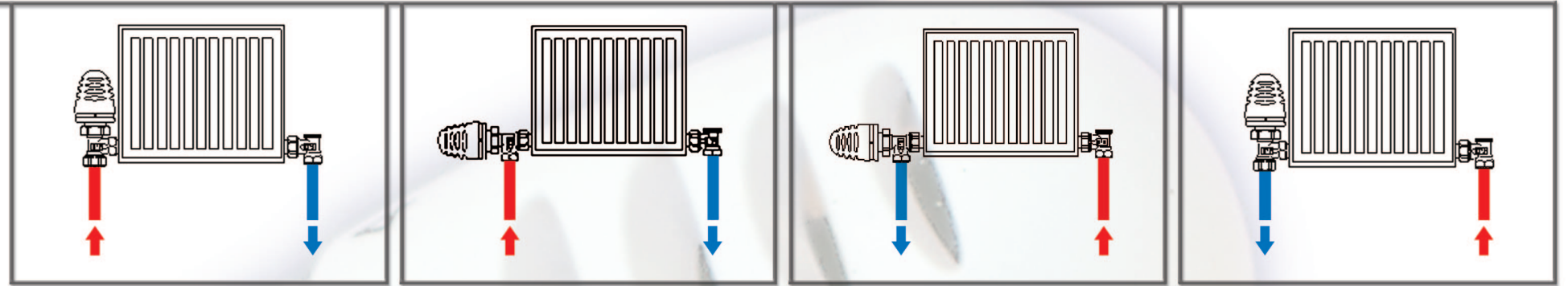


Bi-Directional flow allows installation of HERZ Bi-Directional as either a vertical or horizontal TRV. The Thermostatic Valve can be fitted on either the flow or return eliminating valve chattering caused by the flow of water being in the wrong direction which occurs with conventional TRV's.



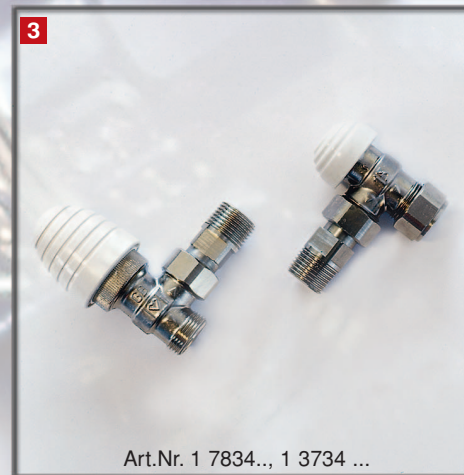
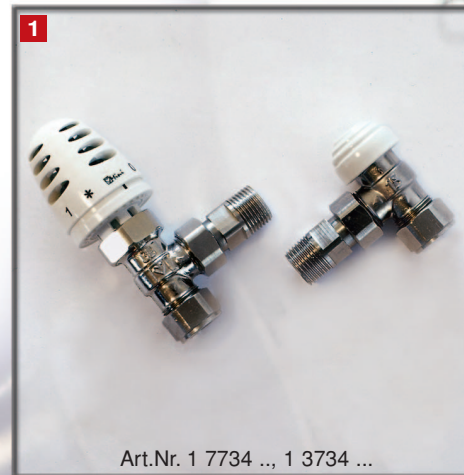
Maintenance is easy

Removal of the Valve insert is achievable while the system is live and under full working conditions by using the HERZ

Changefix Tool (Model 7780),

allowing any subsequent replacement or servicing.

This provides long-term maintenance benefits and allows replacement or cleaning of the insert in case sludge, dirt or other foreign particles have fouled the seat.



Flexibility and innovation has always been a key word at HERZ. Valves can be supplied either individually or as a set. There is not just one return valve to choose from but two. One version has an elegant white plastic cap whilst the other offers a stylish and functional chrome cover.

HERZ MINI Thermostatic Head

Unbeatably small

1 2 The Mini Thermostatic Head by HERZ is a top achiever from our R & D engineers. It is unbeatable in terms of physical dimensions. With a length of 75 mm and a diameter of 45 mm, it is currently the smallest thermostatic head with hydrosensor in the world. With this size it will fit even into the smallest corner.

Installation in any Niche

1 2 Packed with field-tested HERZ engineering, thanks to its compact size, the HERZ Mini is particularly suitable for installation in areas offering little space.

Automatic Frost Release

1 2 The HERZ Mini Thermostatic Head is available with automatic frost release or with »0«-position. It is suitable for all HERZ Thermostatic Valves. The HERZ Mini is also offered with M 30 x 1.5 thread for radiators with integrated valves.

Option with HERZ Manual Valve

3 Another possibility is the HERZ Manual Valve which can be up-graded to the thermostatic by simply fitting a sensor.

Option with HERZ Standard Thermostatic Head

4 The HERZ Bi-Directional can also be combined with the HERZ Standard Thermostatic Heads, Series 7000.

Limiting the Temperature Range

In addition, the temperature range of all models of HERZ Thermostatic Heads can be limited or locked by means of special limiting pins.



HERZ Bi-Directional for Style, Quality, and Peace of Mind

* Cover: Article Numbers 1 7734 ..., 1 3734 ...

TECHNICAL FACTS

Maximum Temperature 110 °C
15, 10 and 8 mm copper connections. Plastic pipe connections available.

Maximum Operating Pressure 10 bar.

Conforms to EN 215.

Maximum Differential Pressure (for quiet operation) 0.2 bar.

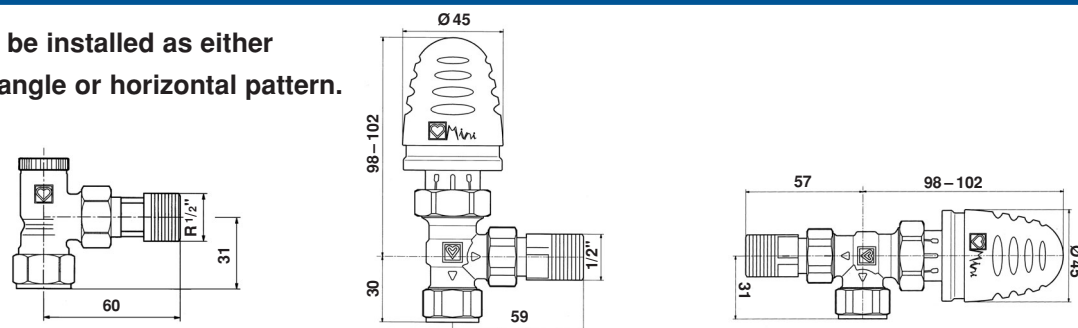
Double integrity metal to metal and »O«-ring seal tail piece connection.

PART NUMBER LIST

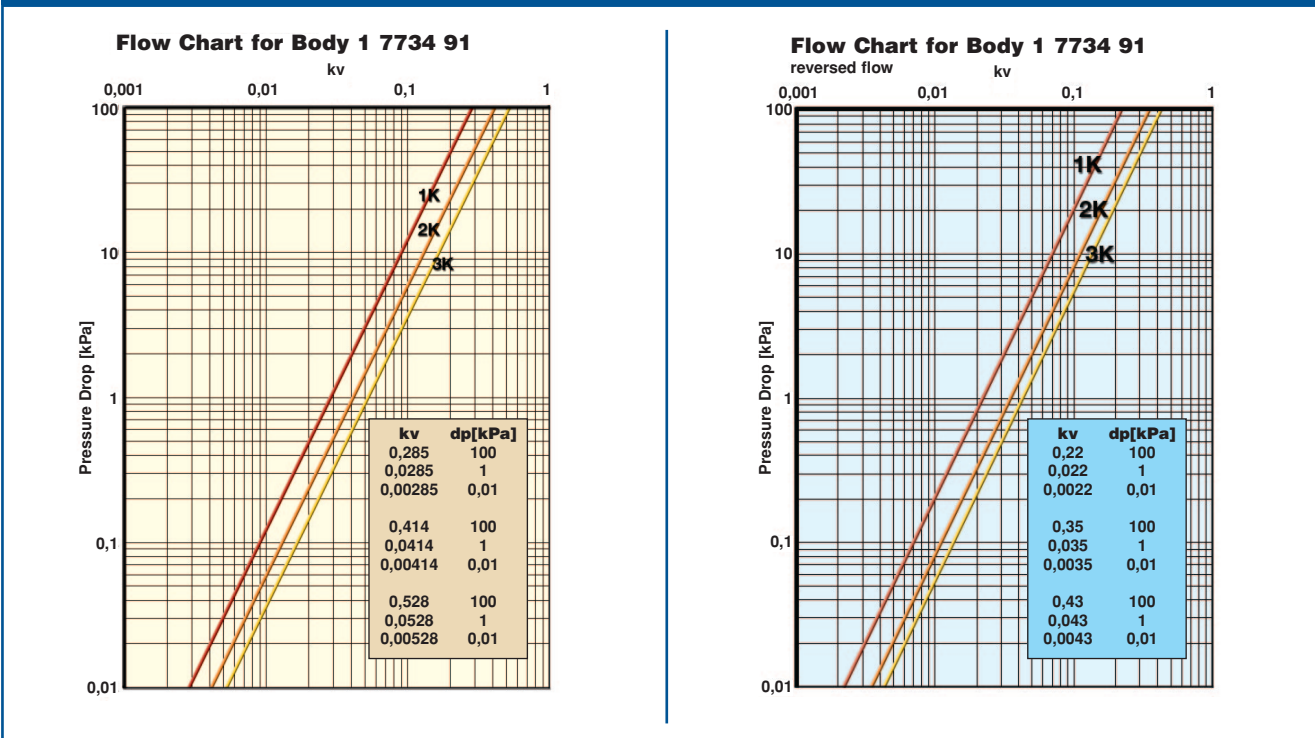
Thermostatic Valve with »Mini« Sensor	15 mm	7734 33
Thermostatic Valve with »Mini« Sensor	10 mm	7734 31
Thermostatic Valve with »Mini« Sensor	8 mm	7734 38
Thermostatic Valve with Hand Wheel	15 mm	7834 15
Thermostatic Valve with Hand Wheel	10 mm	7834 10
Thermostatic Valve with Hand Wheel	8 mm	7834 08
Return Valve with Knurled Cap	15 mm	3734 15
Return Valve with Knurled Cap	10 mm	3734 10
Return Valve with Knurled Cap	8 mm	3734 08
Return Valve with Deluxe Cap	15 mm	3734 30
Return Valve with Deluxe Cap	10 mm	3734 31
Return Valve with Deluxe Cap	8 mm	3734 38
Option with HERZ Standard Head	15 mm	7736 15

DIMENSIONS

Valve can be installed as either standard angle or horizontal pattern.



FLOW CHART



HERZ Bi-Directional



- Bi-Directional Flow
- Stylish liquid filled sensor
- Unique 5 year warranty
- Conforms to EN 215
- 6 to 28° temperature range
- 8/10 mm and 15 mm sizes



HERZ Valves UK
Unit 2B • Centurion Business Park
Sturrock Way • Bretton
Peterborough • PE3 8YF
Tel: 01733 300330
E-mail: sales@herzvalves.com
www.herzvalves.com

