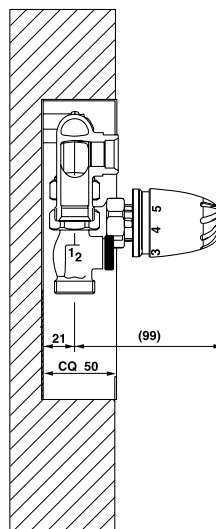
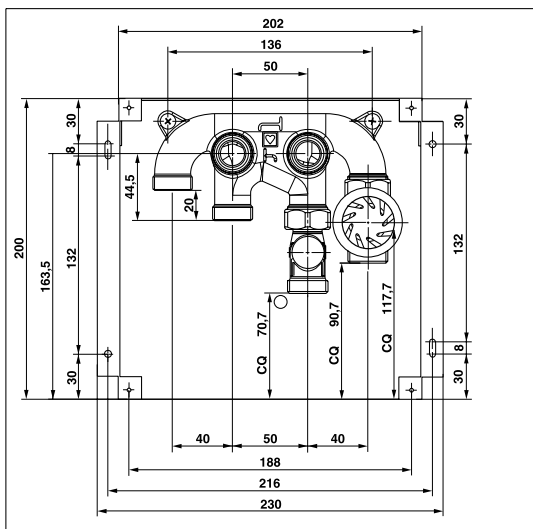


Control set for radiator and under floor heating

Data sheet for

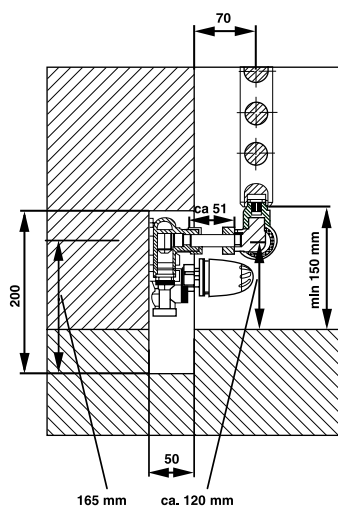
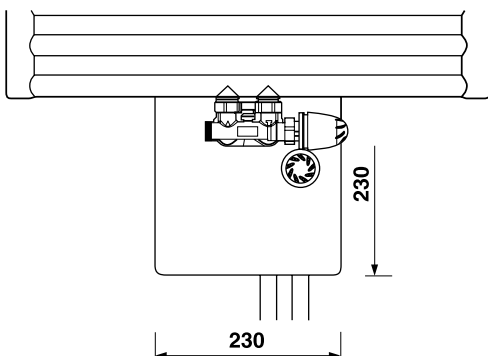
1 **8100** 25

Issue 1105



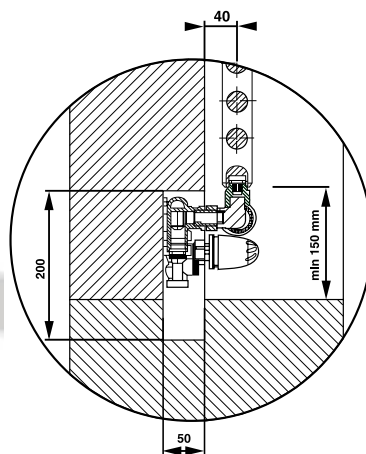
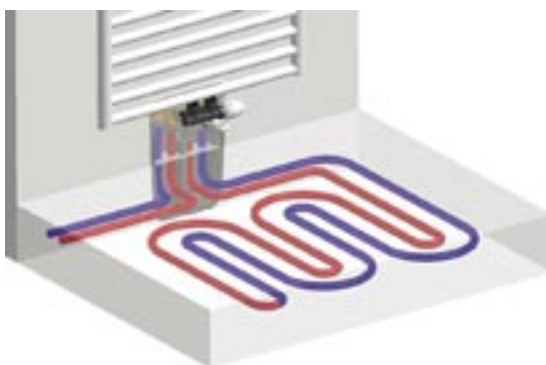
Dimensions in mm

Threaded connection of distributor: 6 by G 3/4 Eurocone



Dimensions

Usage of pipe with $d = 15 \text{ mm}$



Application

Usage of screw connection 1 **6220** 71

We reserve the right to make modifications in line with progress in engineering

HERZ Armaturen

Richard-Strauss-Straße 22 • A-1230 Wien
e-mail: office@herz-armaturen.com • www.herz-armaturen.com



The control set 1 **8100** 25 is used to control a small underfloor circuit and also a radiator. Both loads can be controlled separately and independently.

Description:

The system contains a collector which is mounted in the flush mounted body. This collector is connected to the flow and return of the radiator system. The front outlets connect to the radiator can be mounted with connection parts such as the HERZ 3000 (as requested). The supplied return valve and the thermostatic return temperature limiter are mounted at the remaining outlets for connection to the underfloor heating loop.

Function:

The set 1 **8100** 25 has following parts:

Body made of galvanized steel sheet and cover with magnetic stripes made of chromed steel sheet (Body W-H-D: 200 x 200 x 50 mm, cover 230 x 230 mm).

Components:

(scope of delivery)



- 1 **4133** 01 Double connection distributor
- 1 **3741** 01 RL-1 Shut-off valve with freely moving nut
- 1 **7637** 25 TS-98V Thermostatic valve with freely moving nut
- 1 **9201** 03 Return temperature limiter "Mini-Turbo"

Accessories

(optional)

- 1 **6274** XX Screw connection G 3/4, metal-to-metal joint, for pipes 8, 10, 12, 14, 15, 16 mm
- 1 **6276** XX Screw connection G 3/4, soft seal, for pipes 12, 15, 18 mm
- 1 **6098** XX Screw connection G 3/4, for plastic pipes
- 1 **3694** 91 HERZ 3000 Connection element with thermostatic insert and threaded nipples for radiators with 1/2 female thread
- 1 **3693** 91 HERZ 3000 Connection element with thermostatic insert and cone sockets for radiators with G 3/4 Eurocone.
- 1 **9200** 16 Thermostatic head "Mini-Turbo" with frost release
- 1 **9200** 13 Thermostatic head "Mini-Turbo" with frost release and "0" position
- 1 **6330** 11 chromed pipe 15 x 1 mm 600 mm long, to be cut into lengths upon request for connection of cock unit
- 1 **6276** 15 Screw connections 15 x 3/4 to connect chromed pipe
- 1 **6220** 71 Screw connection 3/4 x 3/4 for wall distance 40 mm until mid of radiator
- 1 **3001** 01 Cone sockets for wall distance 40 mm until mid of radiator
- 3 **S344** 01 Valve connection elbow set, leg length 150 mm, pipe 15 x 1 mm
- P **70XX** 82 Screw press connection with freely moving nut, for pipes 14 x 2 - 20 x 2.5 mm (P **7014** 82P **7021** 82)

Maximum operating temperature (on valve) 120 °C
 Maximum operating pressure 10 bar
 Operating temperature 25 - 60 °C
 Maximum differential pressure on valve 20 kPa

Technical data

Please follow general instructions of pipe manufacturers.

Straight model kv = 4.6 m³/h
 Radiator connection kv = 5.3 m³/h

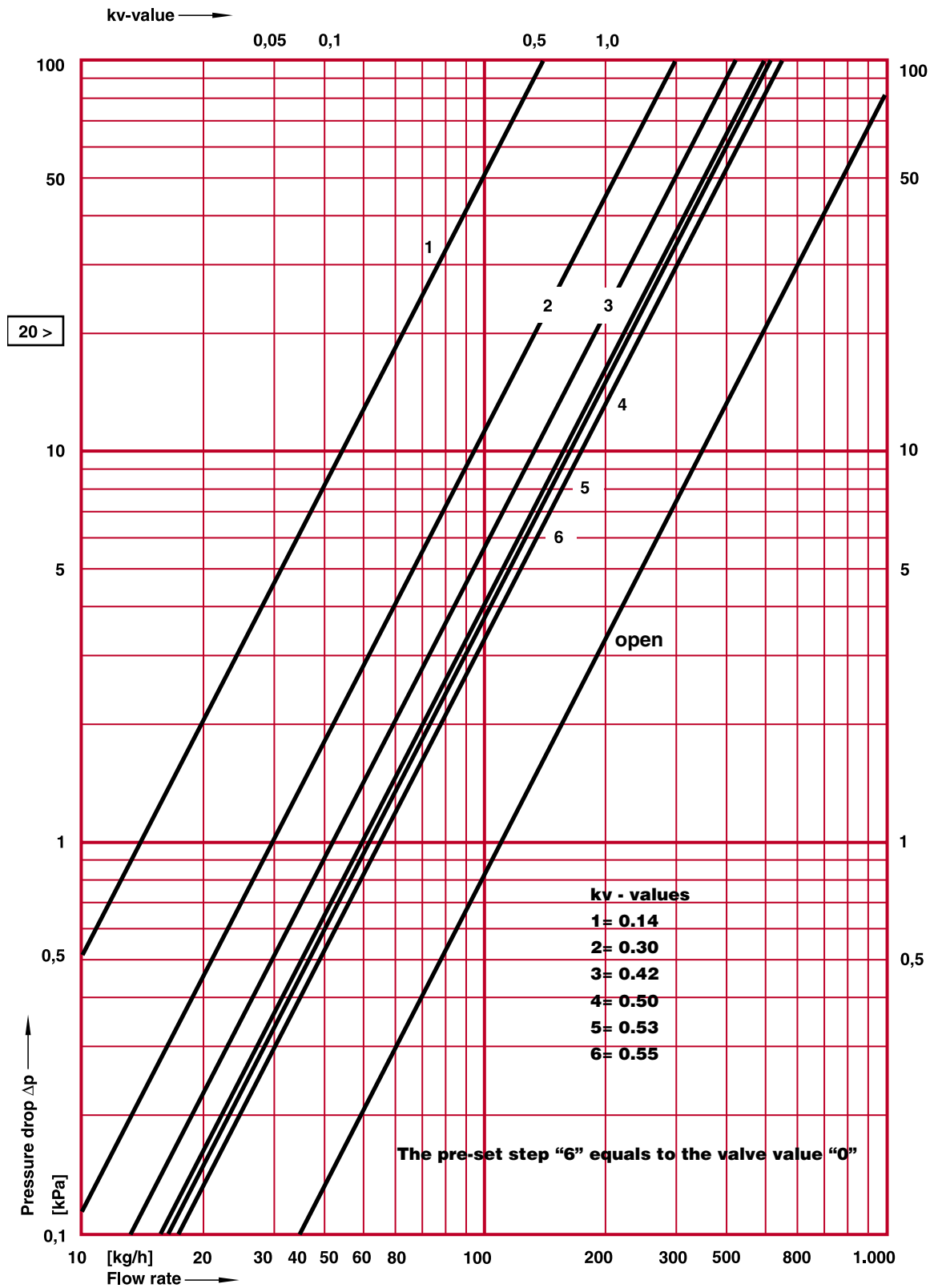
maximum floor area for temperature control:

Pipe	Floor area at Pipe distance 125 mm	Floor area at Pipe distance 250 mm
20 x 2 mm	15 m ²	30 m ²
18 x 2 mm	7 m ²	15 m ²
16 x 2 mm	4 m ²	8 m ²

These values are guide values only.
 We recommend to calculate the pressure loss.
 Water conditions according ÖNORM H 5195 and VDI 2035 are to be respected

Spanner 27 hex For installation of screw connections
 Spanner 30 hex For installation of thermostatic head and moving nuts
 Please respect the processing guidelines of the pipe manufacturer for all cutting into lengths, de-burring and calibration works!

Tools

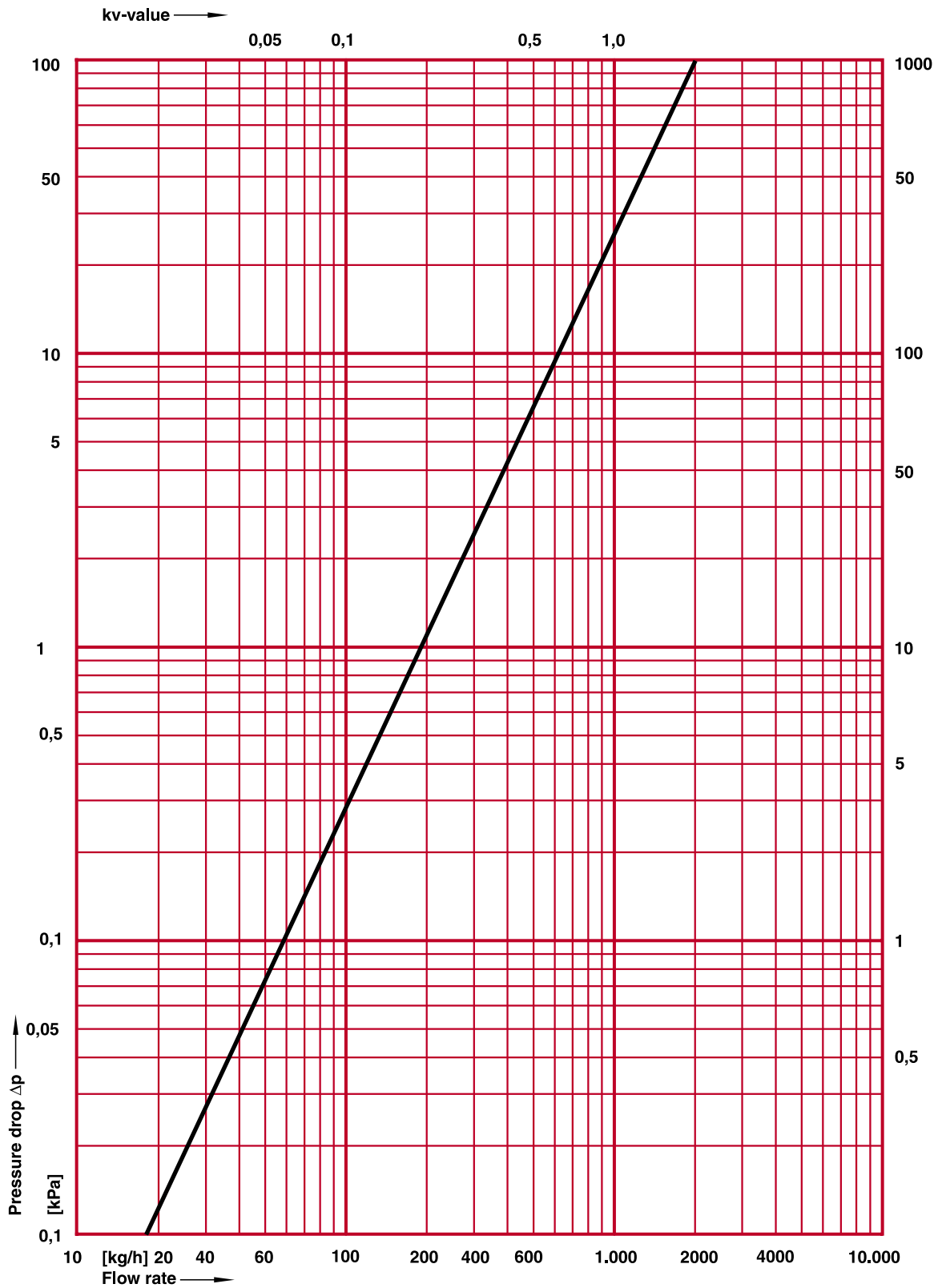


HERZ Standard diagram

Pressure loss RL1

Order number 1 **3741** 01

kv-value: 1.9 m³/h



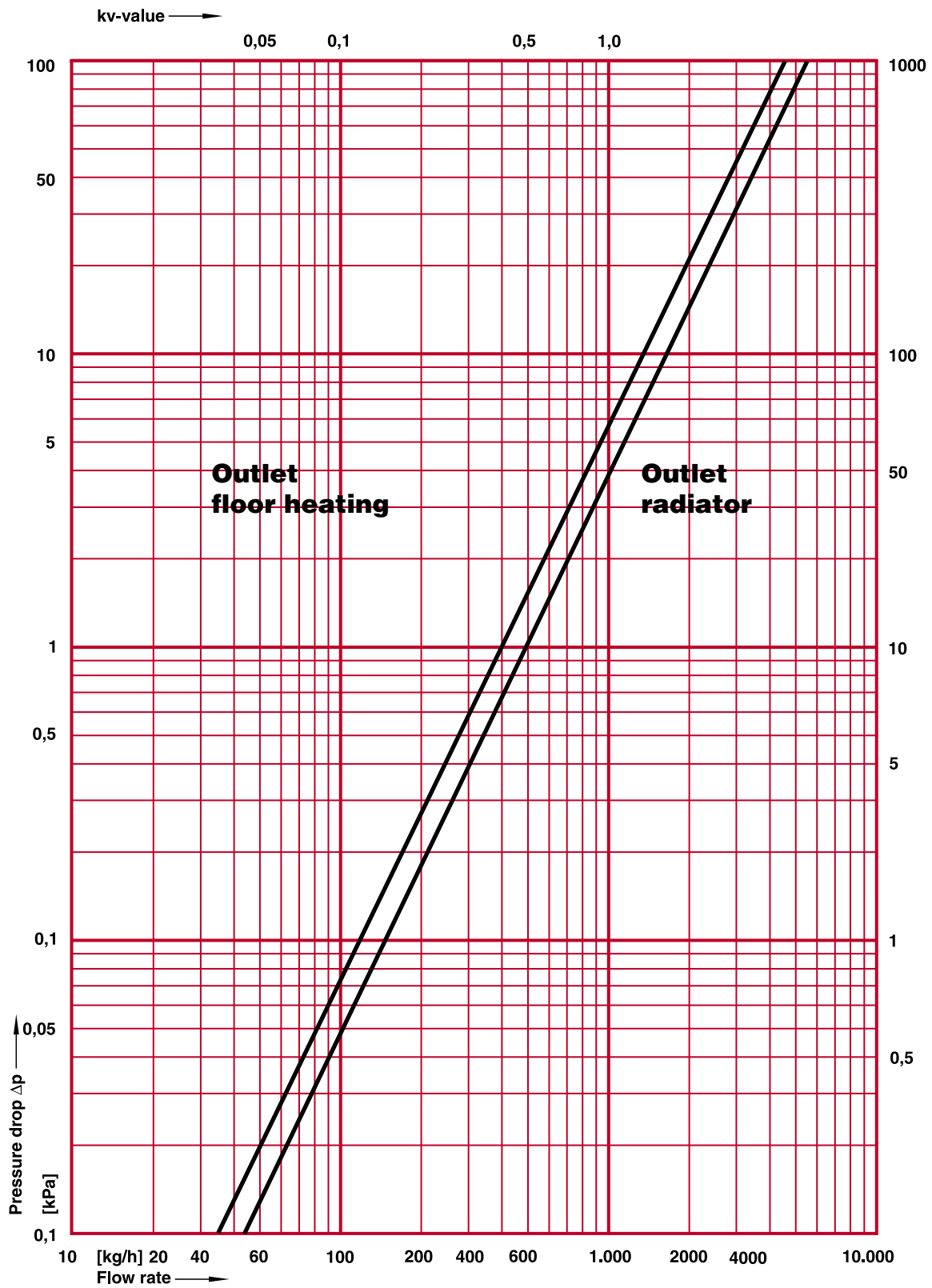
We reserve the right to make modifications in line with progress in engineering

HERZ Standard diagram

Distributor 4133

Order number **4133**

kv-value: 4.6 m³/h or 5.3 m³/h



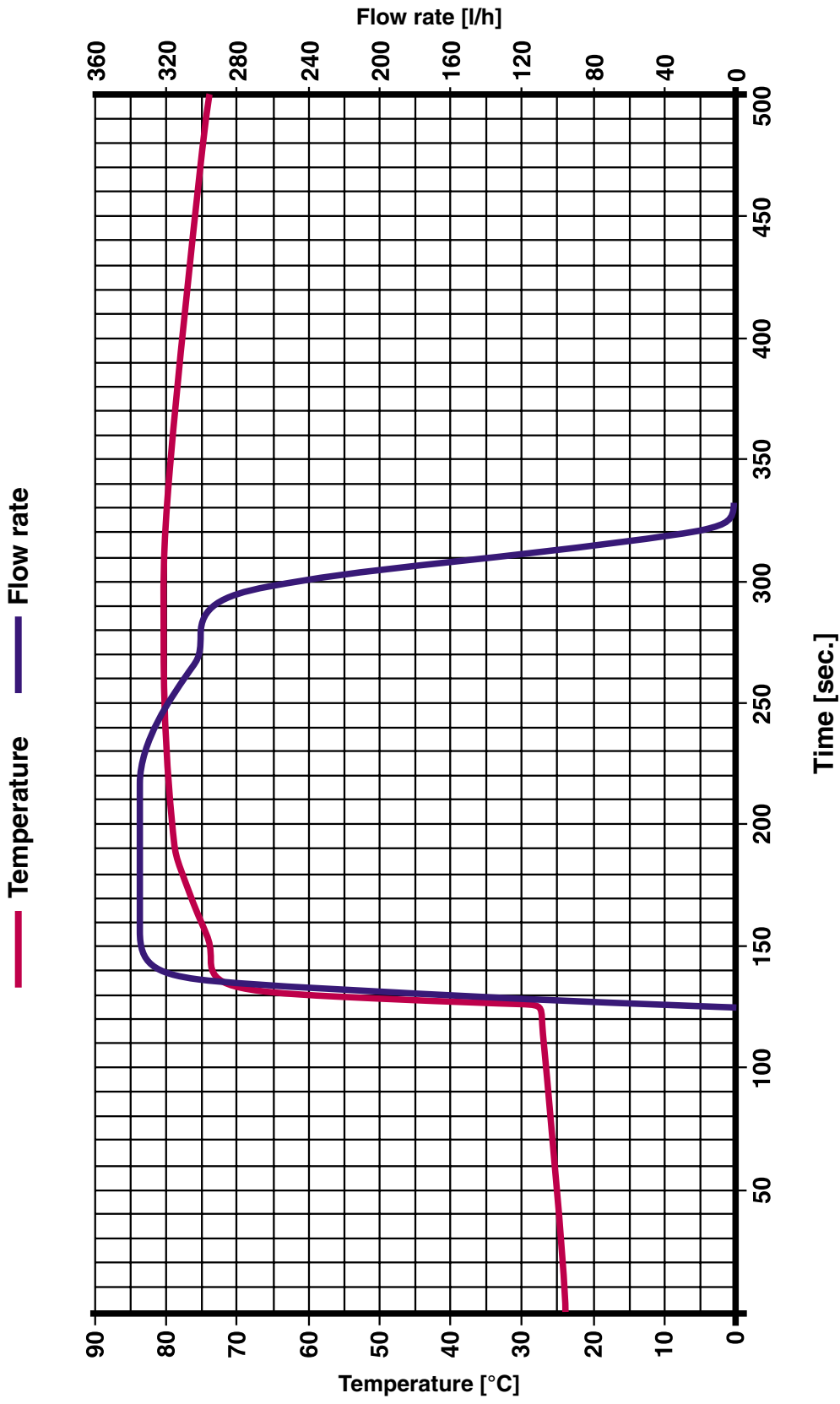
We reserve the right to make modifications in line with progress in engineering

HERZ Armaturen

Richard-Strauss-Straße 22 • A-1230 Wien
e-mail: office@herz-armaturen.com • www.herz-armaturen.com

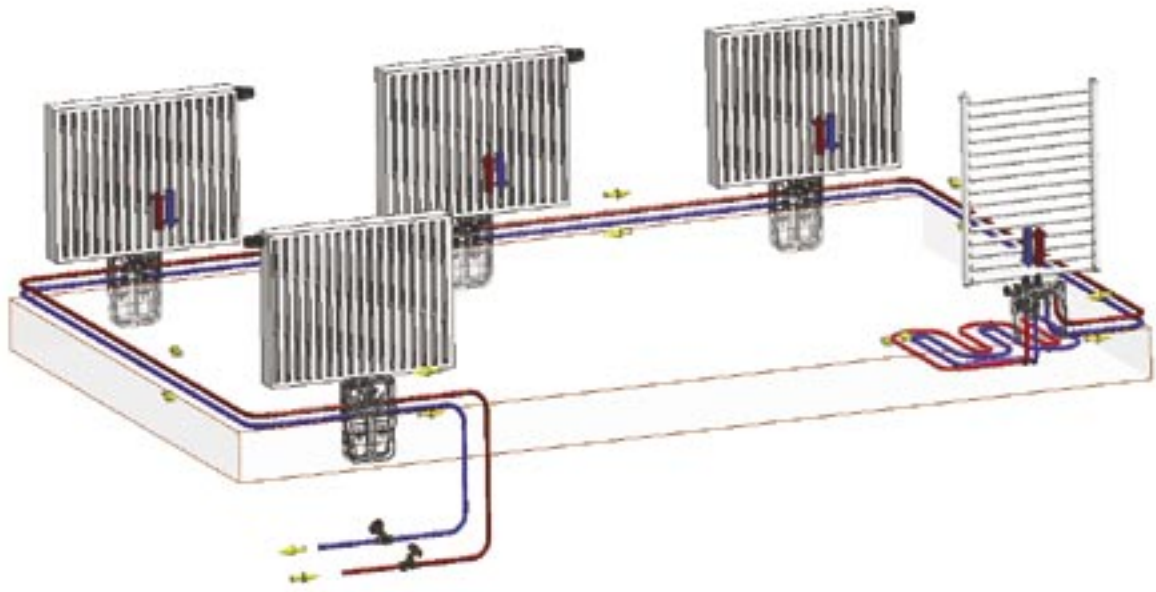


Response time diagram of circulation temperature controller



We reserve the right to make modifications in line with progress in engineering

Application example



All specifications and statements within this brochure are according to information available at the time of printing and meant for informational purpose only. Herz Armaturen reserves the right to modify and change products as well as its technical specifications and/or its functioning according to technological progress and requirements. It is understood that all images of Herz products are symbolic representations and therefore may visually differ from the actual product. Colours may differ due to printing technology used. In case of any further questions don't hesitate to contact your closest HERZ Branch-office.

HERZ Armaturen

Richard-Strauss-Straße 22 • A-1230 Wien
e-mail: office@herz-armaturen.com • www.herz-armaturen.com

