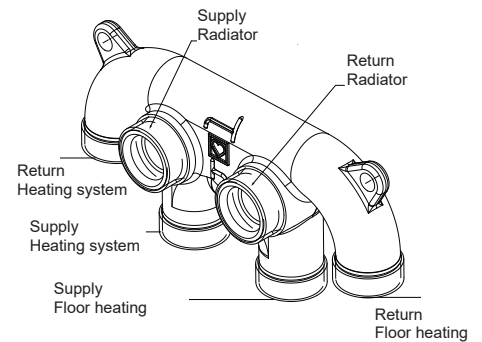
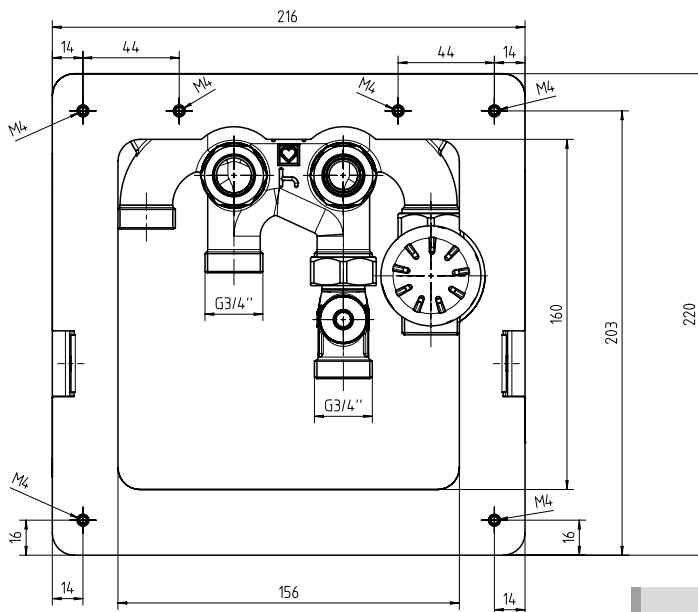
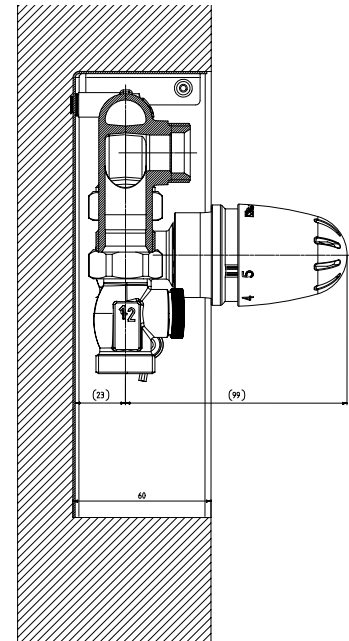
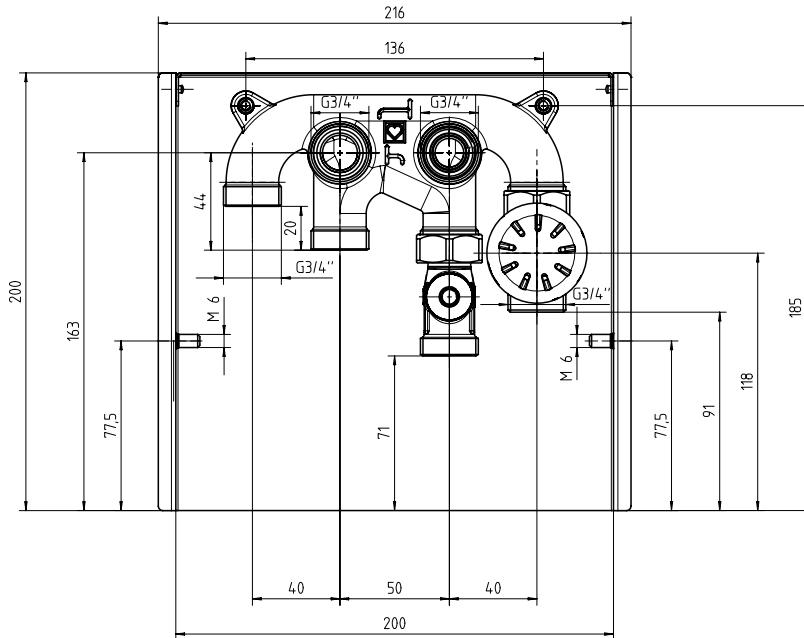


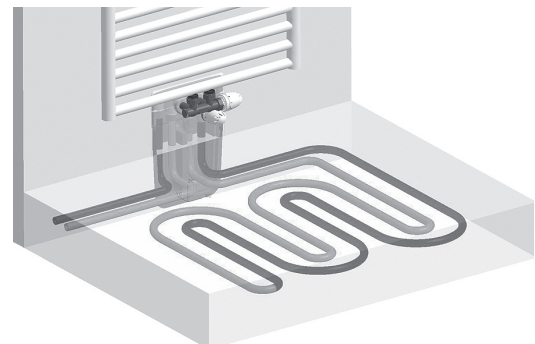
Room temperature control set for radiator and floor connection

Data sheet for 1 8100 27/28, Issue 0723

Dimensions in mm

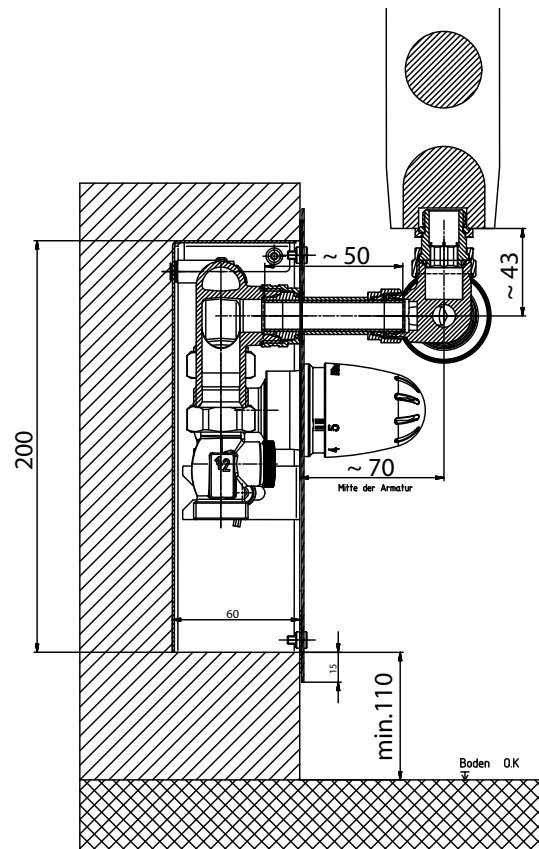
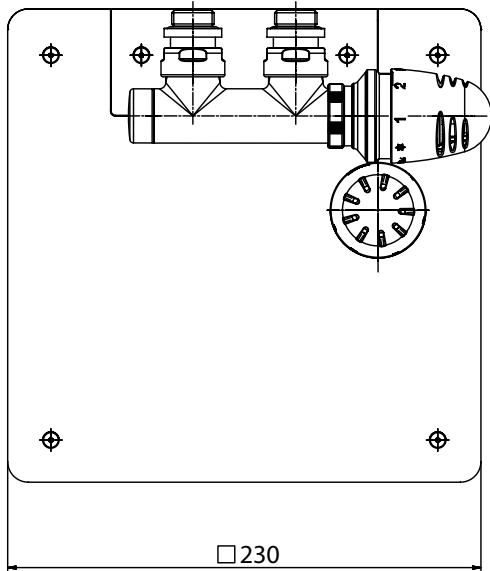


Threaded connection of distributor: 6 by G 3/4 Eurocone
 Set 1 8100 27 - cover plate, chrome-plated
 Set 1 8100 28 - cover plate, white



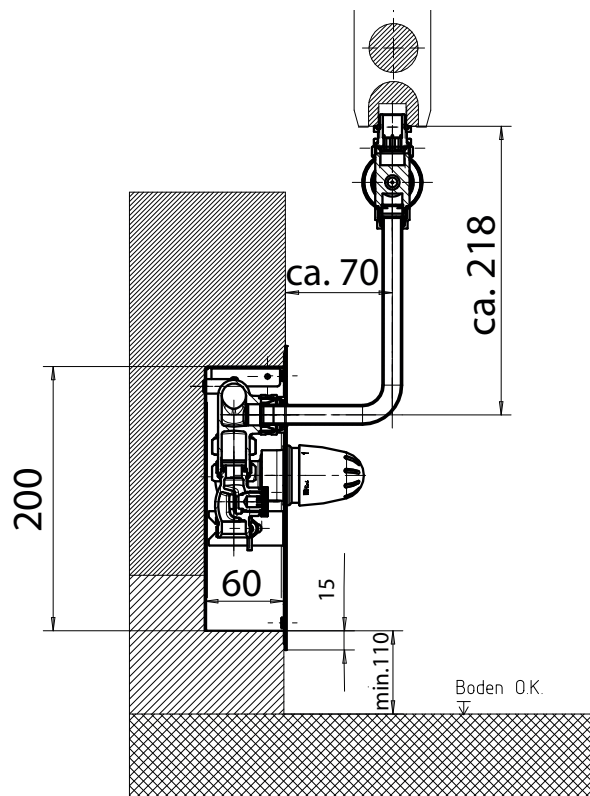
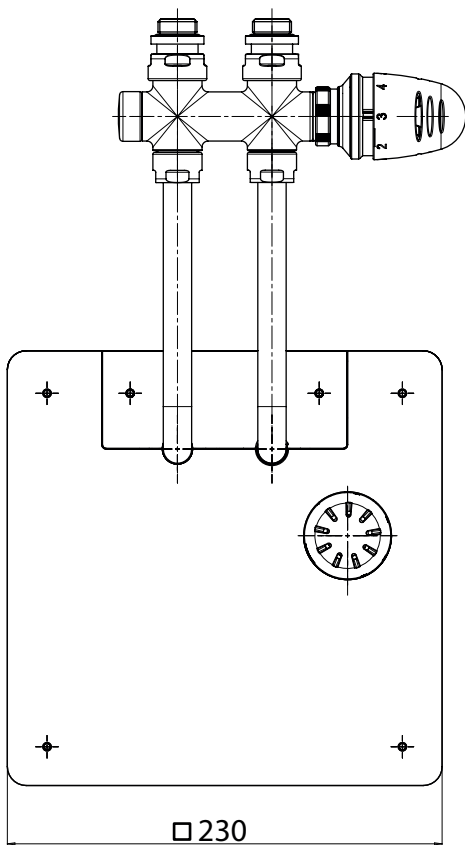
Dimensions

Usage of pipe with $d = 15$ mm



Dimensions

Usage with connection pipe elbow set 15 mm



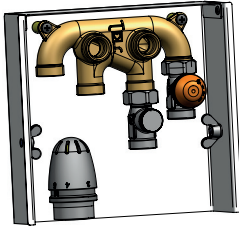
Description:

The control set 1 **8100** 27 / 28 is used to control a small underfloor circuit and also a radiator. Both loads can be controlled separately and independently.

Function

The system contains a collector which is mounted in the flush mounted body. This collector is connected to the flow and return of the radiator system. The front outlets connect to the radiator can be mounted with connection parts such as the HERZ 3000 (as requested). The supplied return valve and the thermostatic return temperature limiter are mounted at the remaining outlets for connection to the underfloor heating loop.

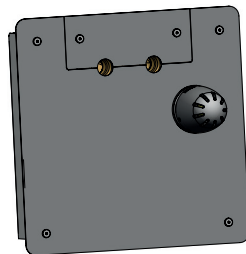
Components



The Set 1 **8100** 27 has following parts:

Body made of galvanized steel sheet and cover with magnetic stripes made of chromed steel sheet
(Body b x h x t: 200 x 200 x 60 mm, cover 230 x 230 mm).

- 1 **4133** 01 Double connection distributor
- 1 **3741** 01 RL-1 Shut-off valve with freely moving nut
- 1 **7637** 25 TS-98V Thermostatic valve with freely moving nut
- 1 **9201** 41 Return temperature limiter, chrome



The Set 1 **8100** 28 has following parts:

Body made of galvanized steel sheet and cover with magnetic stripes made of chromed steel sheet, glossy white (RAL 9010)
(Body b x h x t: 200 x 200 x 60 mm, cover 230 x 230 mm).

- 1 **4133** 01 Double connection distributor
- 1 **3741** 01 RL-1 Shut-off valve with freely moving nut
- 1 **7637** 25 TS-98V Thermostatic valve with freely moving nut
- 1 **9201** 00 return temperature limiter, white

Accessories (optional)

- S **3691** 44 DE LUXE TS-3000 connection systems for radiators, white.
Angle model for two-pipe systems, radiator connection G 1/2" with O-Ring, pipe connection M 22 x 1,5 with cone for compression adapter connection, pipe centre spacing 50 mm
- S **3691** 41 DE LUXE TS-3000 connection systems for radiators, chrome.
Angle model for two-pipe systems, radiator connection G 1/2" with O-Ring, pipe connection M 22 x 1,5 with cone for compression adapter connection, pipe centre spacing 50 mm
- S **9200** 34 HERZ-Thermostatic head MINI DE LUXE, with frost protection and „0“- setting, white
- S **9200** 31 HERZ-Thermostatic head MINI DE LUXE, with frost protection and „0“- setting, chrome
- 1 **6330** 11 Chromed pipe 15 x 1 mm 550 mm long, to be cut into lengths upon request for connection of cock unit
- S **6286** 15 DE LUXE Compression adapter M 22x1,5, chrome, with solid rubber seal for connecting the copper pipe Ø15
- 1 **6333** 00 Connection pipe elbow set, leg lengths 150 x 100 mm, pipe 15 x 1 mm

Pipe connections:

- 1 **6274** XX Screw connection G 3/4, metallic seal, suitable for soft steel and copper pipes 8, 10, 12, 14, 15, 16 mm
- 1 **6276** XX Screw connection G 3/4, soft seal, to connect the copper pipes 12, 14, 15, 16, 18 mm
- 1 **6098** XX Screw connection G 3/4, for plastic pipes
- P **70XX** 82 Connection press fitting with cone with freely rotating union nut, for pipe 16 x 2 - 20 x 2 mm (P **7016** 82 - P **7020** 82), nickel-plated
- T **70XX** 81 Connection press fitting with cone with freely rotating union nut, for pipe 16 x 2 - 20 x 2 mm (P **7016** 81 - P **7020** 81), unfinished

☑ Technical data

Max. operating temperature (on valve) 120 °C
 Max. operating pressure 10 bar
 Operating temperature 25 - 60 °C
 Recommended highest setting of the RTL for floor heating 40 °C
 Max. differential pressure on valve 20 kPa
 Please follow general instructions of pipe manufacturers!

Pressure loss distributor 4133 (kv-value): (Supply and return accumulated)

Straight model kv = 4,6 m³/h
 Radiator connection kv = 5,3 m³/h

Max. floor area for temperature control:

Pipe	Floor area at pipe distance 125 mm	Floor area at pipe distance 250 mm
20 x 2 mm	15 m ²	30 m ²
18 x 2 mm	7 m ²	15 m ²
16 x 2 mm	4 m ²	8 m ²

☑ Tools

Spanner SW 27 For installation of screw connections
 Spanner SW 30 For installation of thermostatic head and union nuts

Please respect the processing guidelines of the pipe manufacturer for all cutting into lengths, de-burring and calibration works!

☑ Material

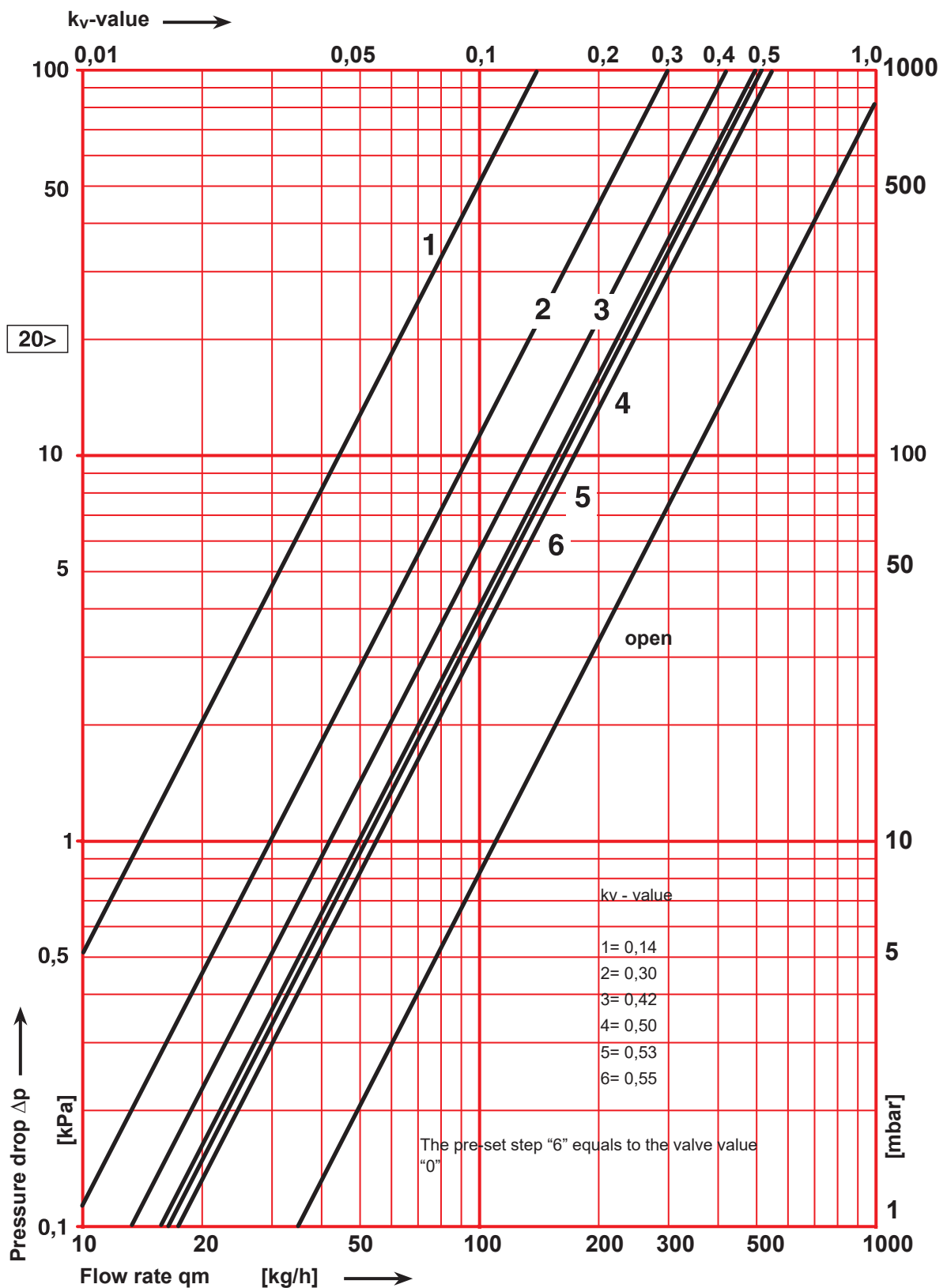
Pursuant to Article 33 of the REACH Regulation (EC No. 1907/2006), we are obliged to point out that the material lead is listed on the SVHC list and that all brass components manufactured in our products exceed 0.1% (w / w) lead (CAS: 7439-92-1 / EINECS: 231-100-4). Since lead is a component part of an alloy, actual exposure is not possible and therefore no additional information on safe use is necessary.

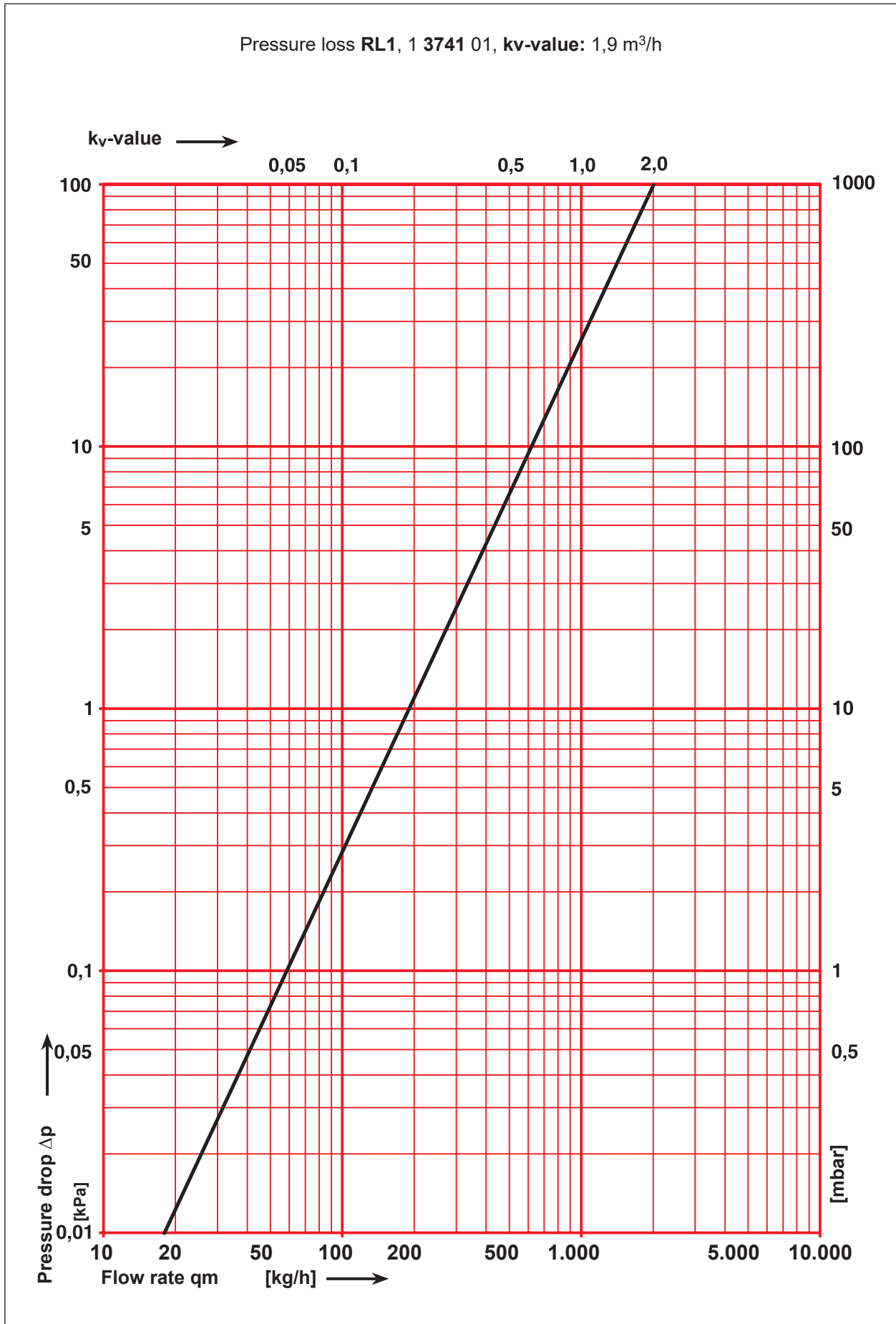
☑ Disposal instruction

Local and currently applicable legislation must be observed for disposal.

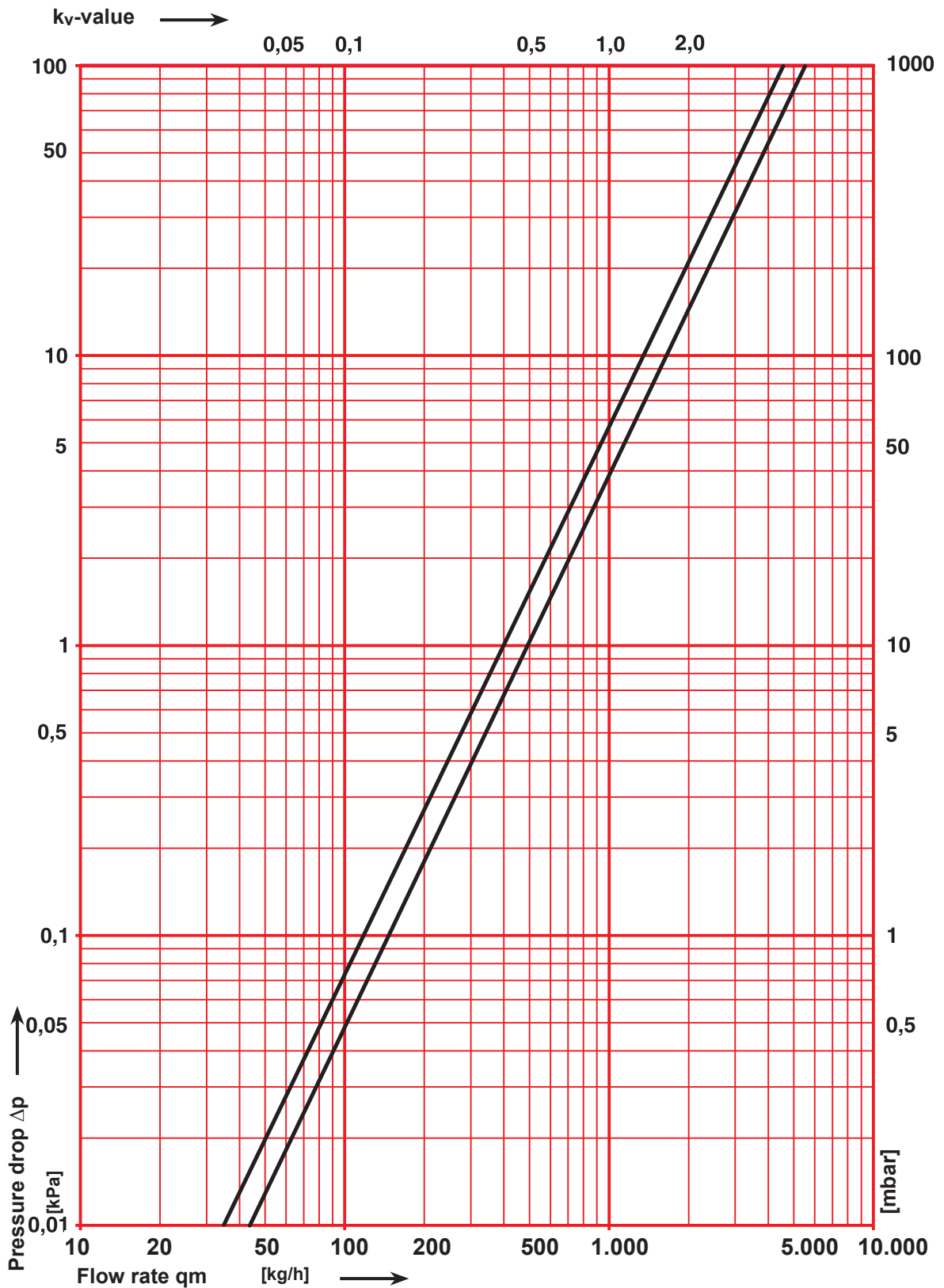
Please note: all diagrams are indicative in nature and do not claim to be complete. All specifications and statements within this document are according to information available at the time of printing and meant for informational purpose only. Herz Armaturen reserves the right to modify and change products as well as its technical specifications and/or it functioning according to technological progress and requirements. It is understood that all images of Herz products are symbolic representations and therefore may visually differ from the actual product. Colours may differ due to printing technology used. In case of any further questions don't hesitate to contact your closest HERZ Branch-office.

Settings Thermostatic lower part 1 7637 25

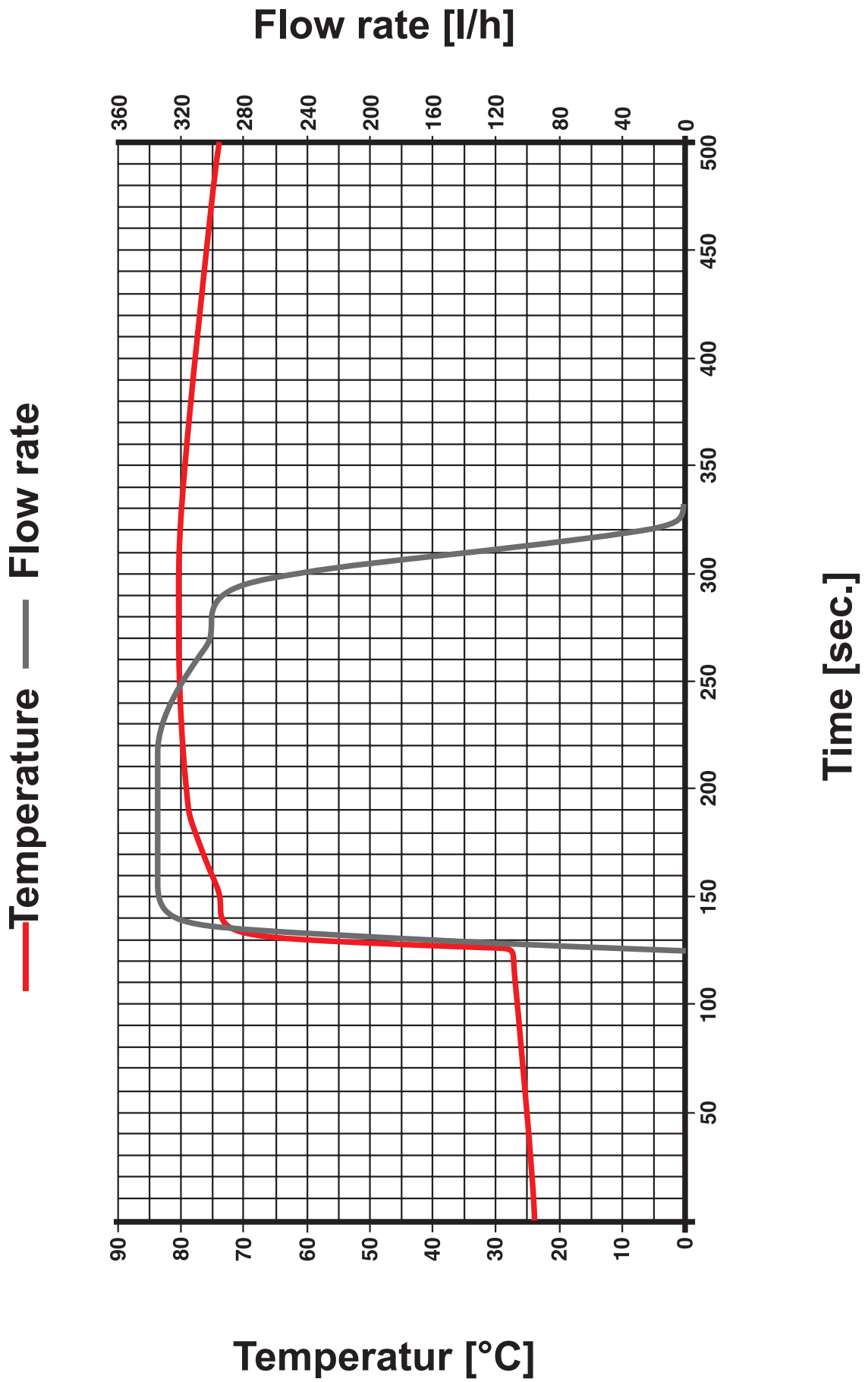




Distributor **4133**, 4,6 m³/h to the radiator or 5,3 m³/h to the next radiator



Response time diagram of circulation temperature controller



☑ Application example

