



Connect-4 RP



Simple and reliable connection
for Radiant Panels

Herz Connect-4 RP has been designed to give a simple connection to radiant panels, and utilises the Herz 7217 thermostatic balancing valve, a Herz DR double regulating valve, a Herz 2190 extended lever ball valve and a Herz 4111 strainer fitted with blow down drain valve.

The 7217 thermostatic balancing valve allows the flow rate to be set via the pre-set insert and then can be controlled either by means of an actuator or a remote adjusting thermostatic head with capillary lengths available at 2m, 5m, 8m & 10m. Fine tuning adjustment can be achieved by means of the double regulating valve.

The unit allows regulating, flushing and isolating operations to be undertaken. The Connect-4 is fitted with extended handles and test points to allow for lagging after installation if required.

The drain cock fitted to the strainer allows flushing without the need to remove the strainer basket and also allows the strainer basket to be cleaned in-situ.

Valve Size	Kvs range	Flow rate range	Insert Type	Part No
1/2"	0.019 – 0.36	0.001 – 0.044 l/s	TS-99-V	4500-66
1/2"	0.14 – 0.76	0.0067 – 0.094 l/s	TS-98-V	4500-67

Flow rates based on a minimum DP of 3 kPa and a maximum DP of 20 kPa

Pressure Rating: PN10
 Operating Temperatures: -10 to 120°C

Benefits to Designers

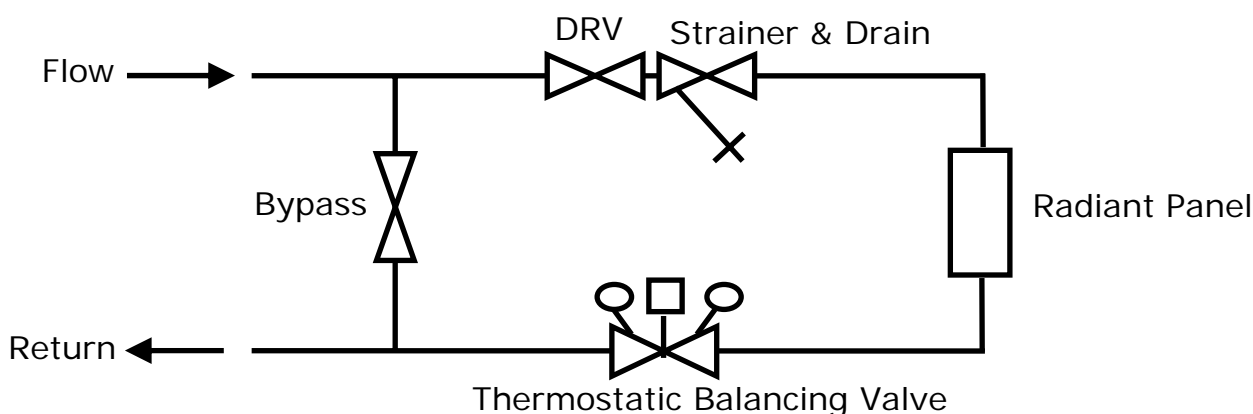
- ❖ Known envelope dimensions
- ❖ Minimal design involvement
- ❖ Reduced specification errors
- ❖ Known performance characteristics

Benefits to Contractors

- ❖ Reduction in on-site labour, time and cost
- ❖ Fast connection (only four connections are required)
- ❖ Reduces need for pre-fabrication area
- ❖ Reduction of purchase orders (line items)

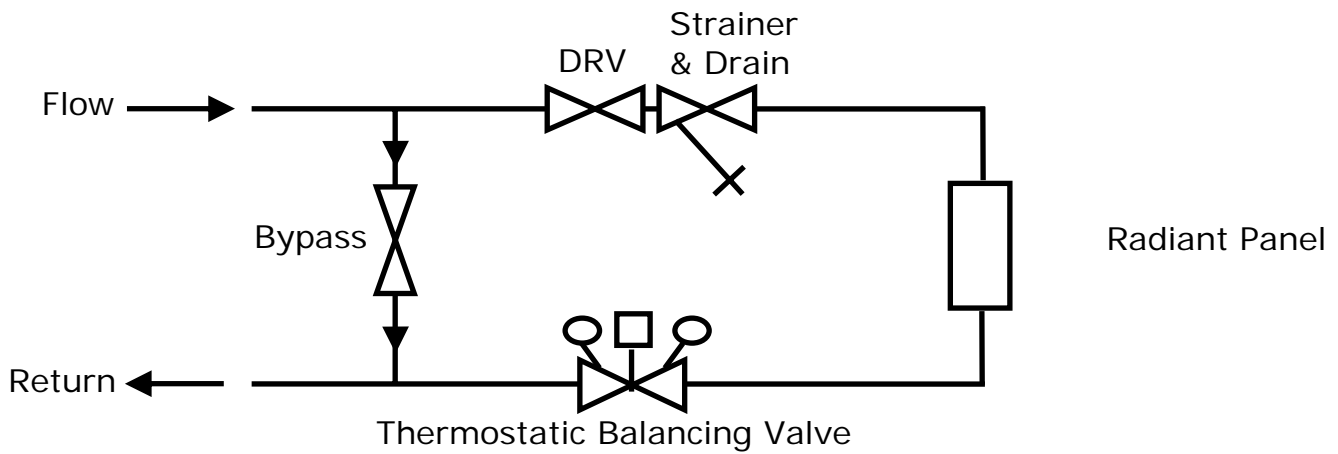
Normal Operation

For normal operation the Bypass valve is closed, DRV is open, Strainer Drain Valve is closed, Thermostatic Balancing valve set with actuator or head fitted.



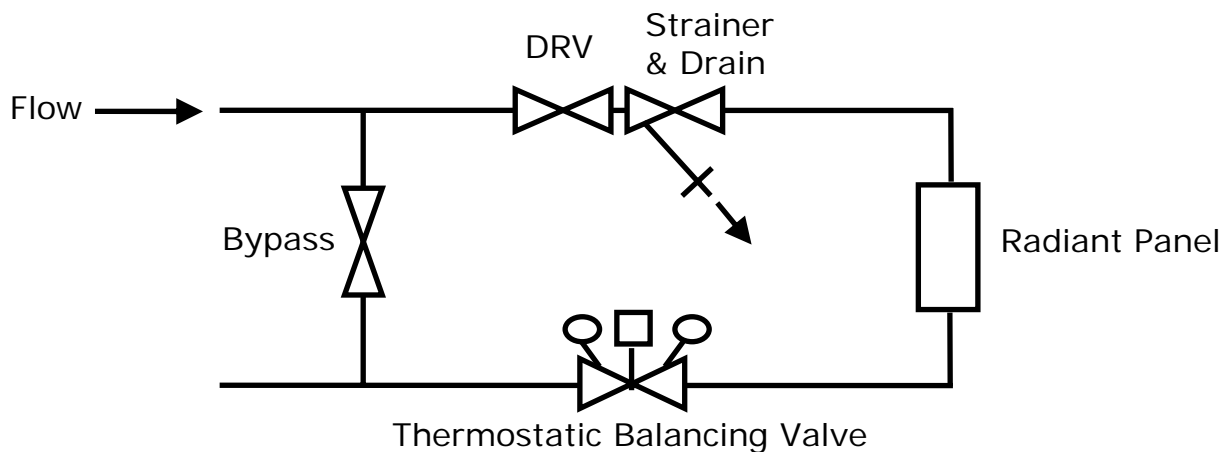
Bypass Operation

For the normal flushing method the Bypass Valve is open, DRV is closed, Strainer Drain Valve closed, Thermostatic Balancing Valve closed.



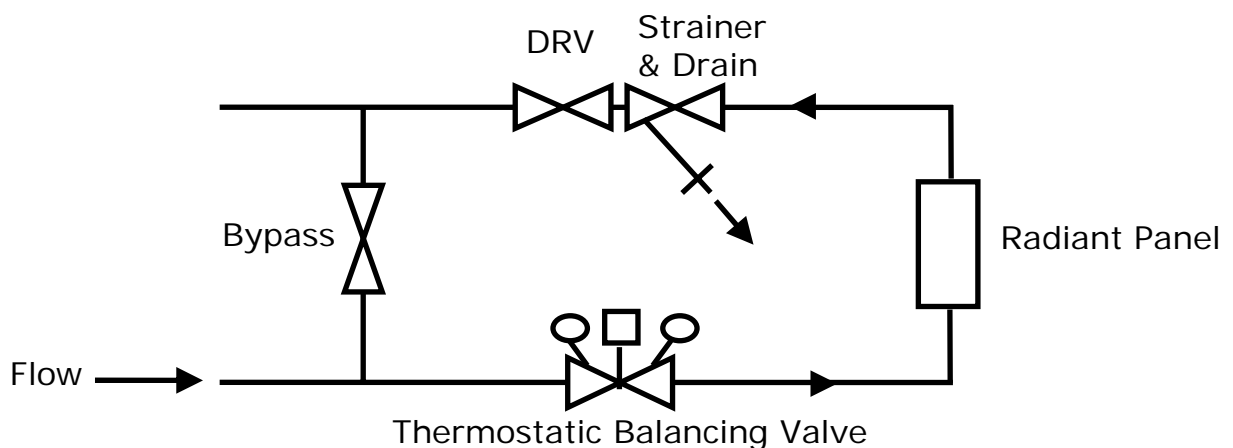
Forward flush Operation

For forward flushing operation the Bypass Valve is closed, DRV is open, Strainer Drain Valve is open, Thermostatic Balancing Valve is closed and flushing through the strainer to atmosphere.



Backflush Operation

For Backflush operation the bypass Valve is closed, DRV is closed, Strainer Drain Valve is open, Thermostatic Balancing Valve open. Flushing through balancing valve, FCU and strainer to atmosphere.



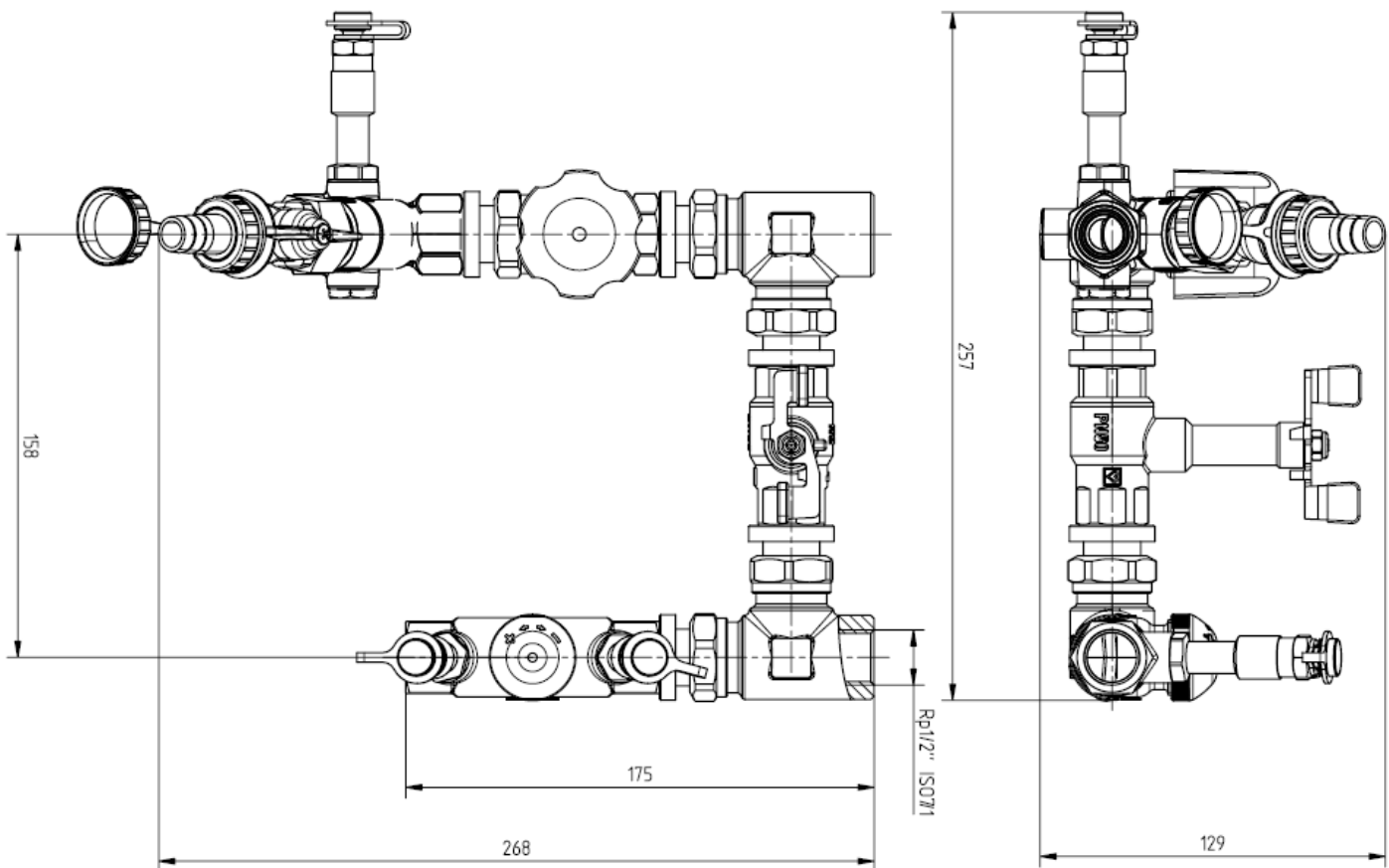
Setting Instructions for TS-98-V (orange cap) or TS-99-V (purple cap)

1. Remove the orange or purple dust cover
2. Adjust the orange or purple adjuster knob (factory setting between "4" and "5") by hand or with the adjuster key (1 6819 98) close the valve first to zero the setting at 0, then adjust directly to the desired per-setting stage 1–6 (0).
3. Install the HERZ thermostatic head or actuator.

Kv Values

Insert Type	P Band	1	2	3	4	5	6
TS-98-V	1K	0.11	0.25	0.26	0.27	0.28	0.28
TS-98-V	2K	0.14	0.30	0.42	0.50	0.58	0.56
TS-98-V	3K	0.14	0.30	0.44	0.55	0.70	0.76
TS-99-V	1K	0.019	0.042	0.085	0.134	0.174	0.180
TS-99-V	2K	0.019	0.042	0.091	0.158	0.266	0.291
TS-99-V	3K	0.019	0.042	0.091	0.174	0.313	0.357

Dimensions



Herz Valves UK Ltd

Progress House
 Moorfield Point, Moorfield Road
 Slyfield Industrial Estate
 Guildford Tel: 01483 502211
 Surrey, GU1 1RU. Fax: 01483 502025
 E-Mail, sales@herzvalves.com