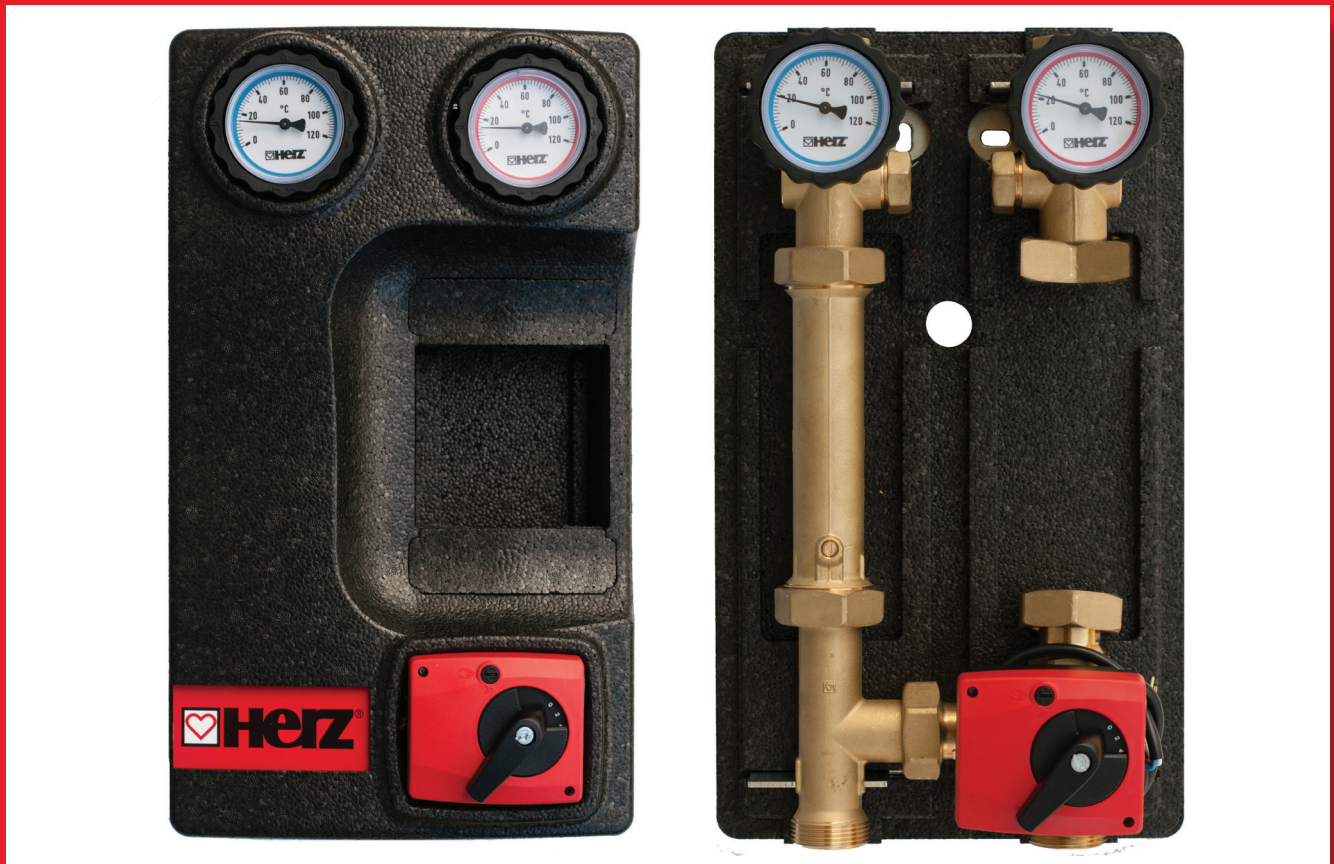


PUMPFIX

Pump groups



Pump groups PUMPFIX

HERZ PUMPFIX pump group is a high quality product that is assembled and pressure tested during the manufacturing process under constant quality control.

Advantages of the **PUMPFIX** pump groups are:

- all integrated components are the result of our own development,
- permanent quality control of production in our own factories,
- we supply complete pump groups,
- easy installation and maintenance,
- circulation pump with installation length of 130 mm (in sets DN20),
- circulation pump with installation length of 180 mm (in sets DN25 and DN32),
- connection distance between the inlet and the return: 125 mm,
- EPP insulation is also used as a protection during the transport,
- possible supply of the pump group with or without the circulation pump.

Pumpfix DIRECT



Pump group is used for filling the hot water tanks or temperature modulation of heating systems.

Pumpfix MIX



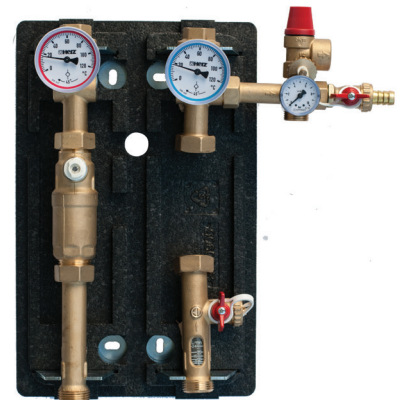
Pump group is used in mixing heating circuits and for temperature control of the boiler return.

Pumpfix CONSTANT



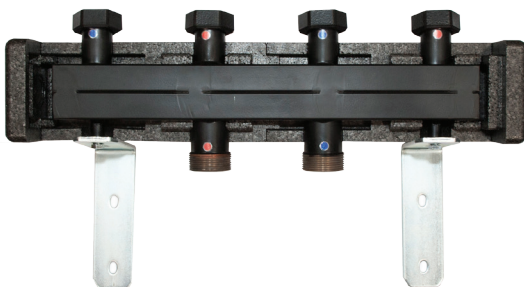
Pump group is used in low-temperature heating circuits. Suitable for underfloor-heating of smaller surfaces.

Pumpfix SOLAR



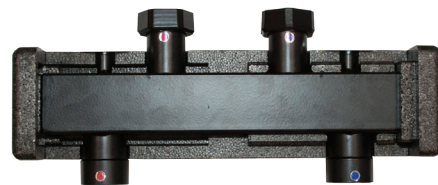
Pump group is used for connection of solar panels and domestic water heater.

Pumpfix distributor



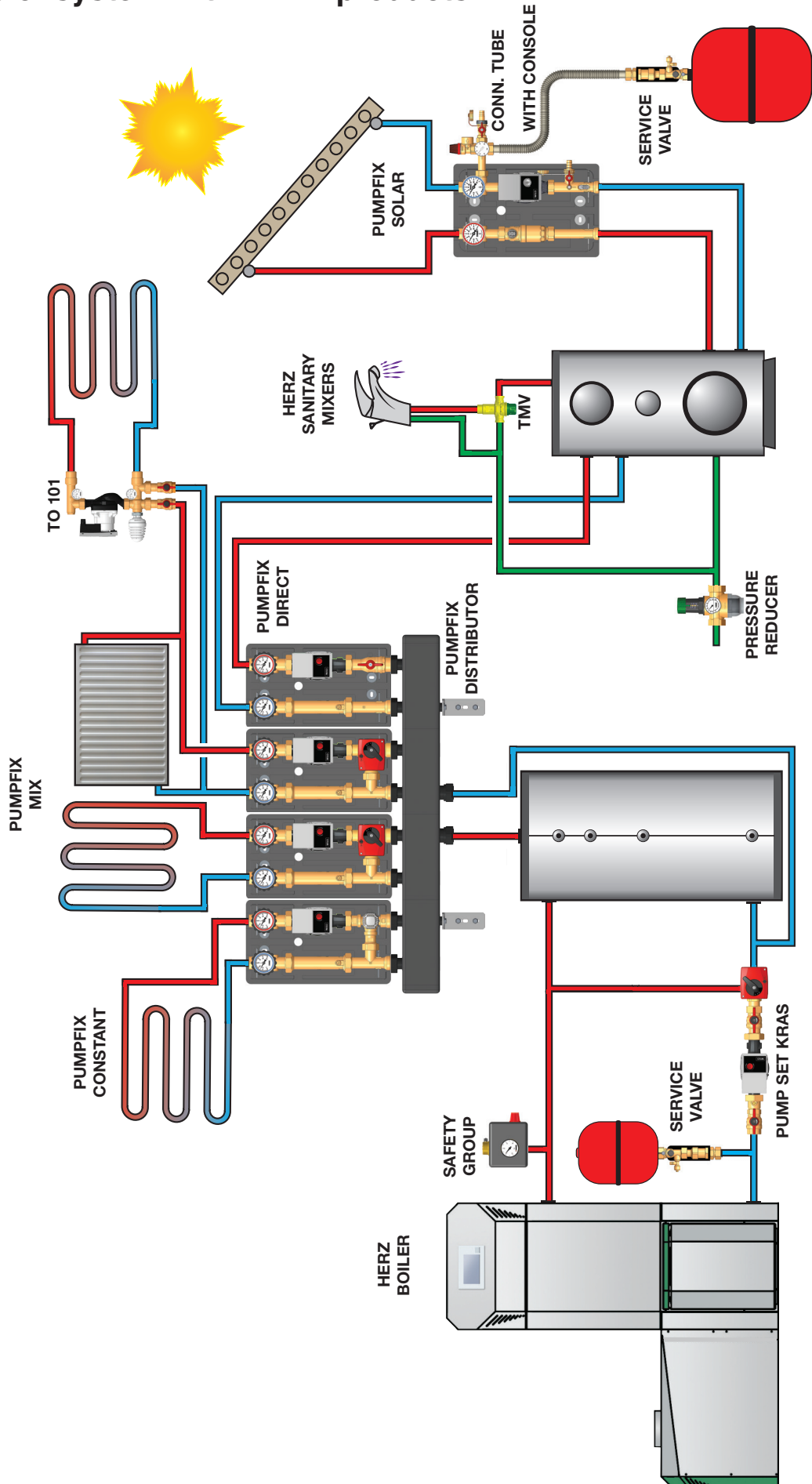
Distributor is used as a part of the pump group system, where a hydraulic circuit has to be divided into more consumer circles and the user wants to regulate them with different temperatures and through different time range.

Hydraulic separator



Hydraulic separator is a compensation chamber that allows independent operation of individual heating circuits. It is used in cases where the primary circulation pumps affects one or more secondary circuits. This solves the problems related to the flows and pressures of individual circuits.

Example of system with HERZ products



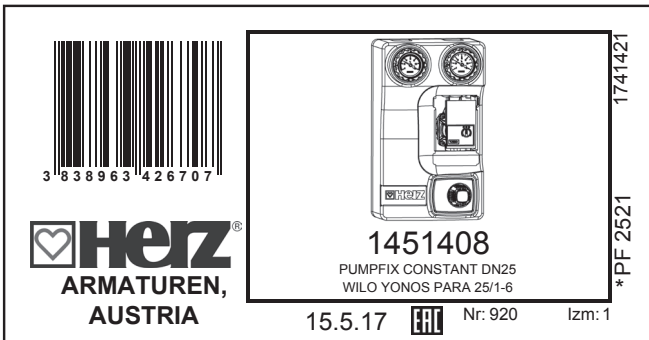
Selection table

dim.	model	kvs	Q (l/h)	ΔT (°K)				
				20	15	10	7,5	5
DN 20	DIRECT	4,3	1000	23	17	12	9	6
	MIX	4	1400	30	23	15	11	8
		6,3	1400	35	26	17	13	9
DN 25	DIRECT	5,8	1750	41	30	20	15	10
	MIX	4	1550	36	27	18	13	9
		6,3	1700	39	30	20	15	10
		10	2000	46	35	23	17	12
	CONSTANT	2,6	600	14	10	7	5	3
DN 32	DIRECT	8,7	2200	51	38	26	19	13
	MIX	10	2100	49	37	24	18	12
		16	2300	53	40	27	20	13

Heat output [kW]

H (circulation pump) = 4m

Label on the packaging

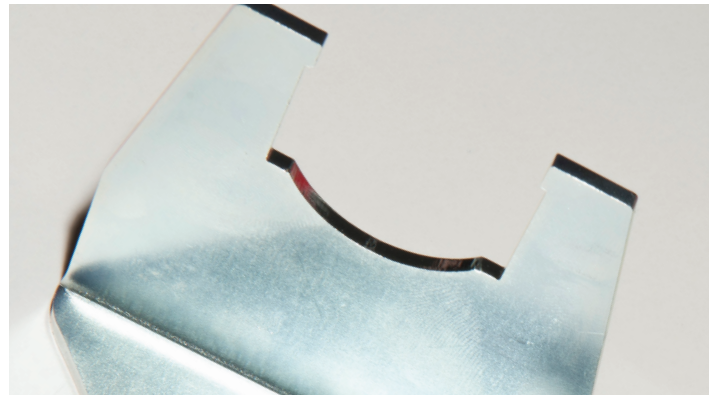


Insulation



Components of the HERZ PUMPFIX are stored in insulation shell, which serves as a thermal insulator which prevents thermal losses in the heating system. Insulation is also used as a protection during the transport.

Brackets



Each HERZ PUMPFIX is equipped with two brackets for easy and reliable installation. The surface of the brackets is galvanized and thus protected.

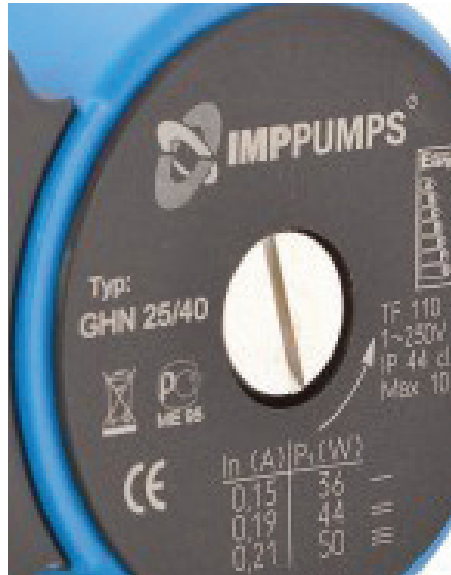
Circulation pumps used in HERZ PUMPFIX pump groups

WILO Yonos Para



Wilo Yonos PARA RS 15/6 RKA 130
Wilo Yonos PARA RS 25/6 RKA 180
Wilo Yonos PARA RS 30/6 RKA 180

IMP GHN



IMP GHN 15/40-130
IMP GHN 25/60-180
IMP GHN 30/60-180

Wilo Yonos Para ST



Wilo Yonos PARA ST 15/7.0 PWM2 130
12

Spacer



Each HERZ PUMPFIX is equipped with spacers with built-in non-return valve which prevents the flow of return water back to the system. Non-return valve can be switched off (in the case of system charging /discharging).

Ball valve



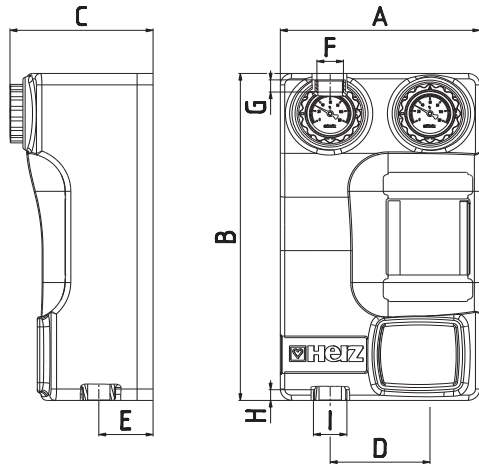
The HERZ PUMPFIX is equipped with two ball-valves serving as shut off elements (in case of servicing the circulation pump). The ball valves are equipped with blue / red thermometers that allow reading of the temperature of the medium in the system.

Overflow valve



Every HERZ PUMPFIX has a possibility of upgrade with overflow valve. It is used to reduce pressure differences in heating system (which can be caused if the pump is oversized). Configuration range 0 - 0.5 bar. The overflow valve is available as an accessory (1 4514 99).

Pumpfix DIRECT



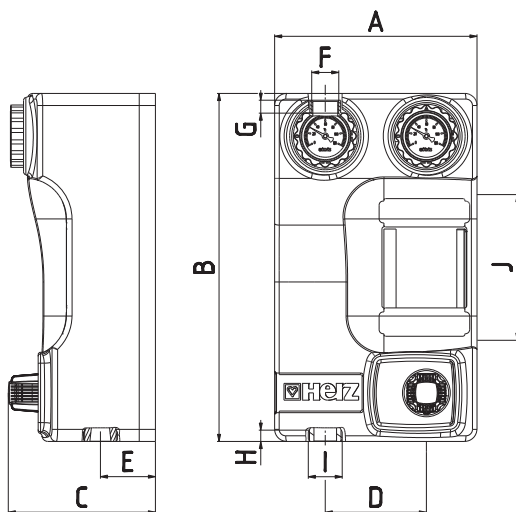
Pump group DIRECT is used for filling the hot water tanks or temperature modulation of heating systems.

- Components:
- valves with thermometers (0-120°C)
 - circulation pump
 - spacer with non-return valve
 - ball valve
 - EPP insulation
 - G3/4" connections for upgrade with overflow valve
 - mounting brackets

Order Nr.	EAN Nr.	DN	Pump	kvs	A	B	C	D	E	F	G	H	I	J
1 4514 11	3838963426875	20	-	4,3	250	390	167	125	68	3/4"	16	14	1"	130
1 4514 12	3838963426882	20	Wilo Yonos PARA 15/1-6 130	4,3	250	390	209	125	68	3/4"	16	14	1"	130
1 4514 13*	3838963426899	20	IMP GHN 15/40-130	4,3	250	390	167	125	68	3/4"	16	14	1"	130
1 4510 25	3838963426967	25	-	5,8	250	430	180	125	68	1"	16	12	1-1/4"	180
1 4510 26	3838963426974	25	Wilo Yonos PARA 25/1-6 180	5,8	250	430	180	125	68	1"	16	12	1-1/4"	180
1 4510 27*	3838963426981	25	IMP GHN 25/60-180	5,8	250	430	180	125	68	1"	16	12	1-1/4"	180
1 4514 21	3838963427087	32	-	8,7	250	430	180	125	68	1-1/4"	16	12	1-1/2"	180
1 4514 22	3838963427094	32	Wilo Yonos PARA 30/1-6 180	8,7	250	430	180	125	68	1-1/4"	16	12	1-1/2"	180
1 4514 23*	3838963427100	32	IMP GHN 30/60-180	8,7	250	430	180	125	68	1-1/4"	16	12	1-1/2"	180

*Not available in EU (Commission regulations (ES) No 641/2009 and No 622/2012)

Pumpfix CONSTANT



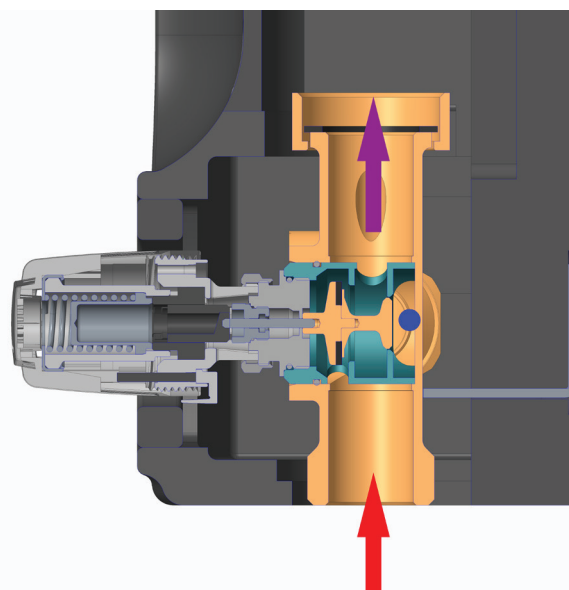
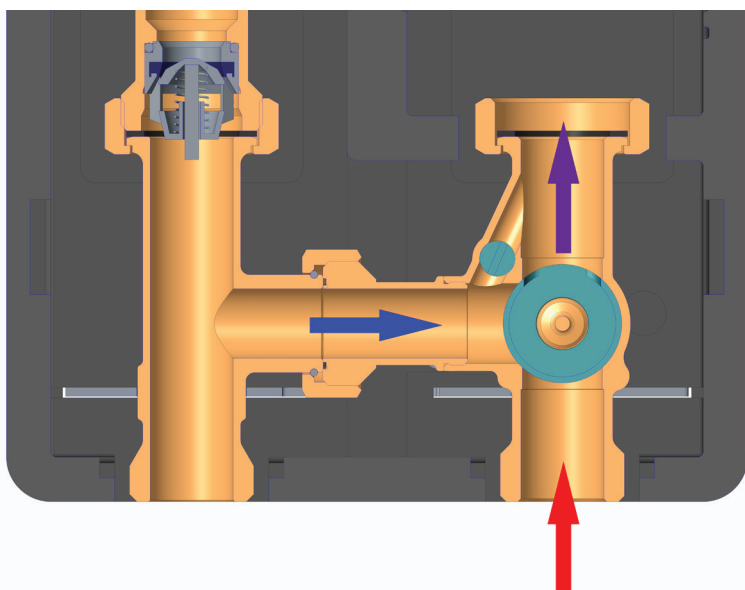
Pump group CONSTANT is used in low-temperature heating circuits. Suitable for underfloor-heating of smaller surfaces. It has integrated bypass in the thermostatic valve (0-50%), that allows protection of the system against excessive temperature of the medium.

Components:

- valves with thermometers (0-120°C)
- circulation pump
- spacer with non-return valve
- thermostatic three-way valve
- thermostatic head
- EPP insulation
- G3/4" connections for upgrade with overflow valve
- mounting brackets

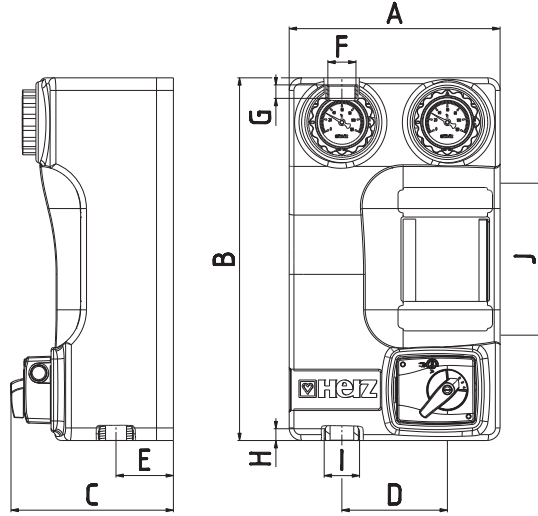
Order Nr.	EAN Nr.	DN	Pump	kvs	A	B	C	D	E	F	G	H	I	J
1 4514 07	3838963426691	25	-	4	250	430	186,5	125	68	1"	16	12	1-1/4"	180
1 4514 08	3838963426707	25	Wilo Yonos PARA 25/1-6 180	4	250	430	186,5	125	68	1"	16	12	1-1/4"	180
1 4514 09*	3838963426714	25	IMP GHN 25/60-180***	4	250	430	186,5	125	68	1"	16	12	1-1/4"	180

*Not available in EU (Commission regulations (ES) No 641/2009 and No 622/2012)



HERZ PUMPFIX CONSTANT is equipped with a thermostatic head 1 7420 06. It is equipped with contact sensor, which reads the temperature and therefore regulates the desired temperature in the heating circuit. Setting range: 20 - 50 ° C.

Pumpfix MIX



Pump group MIX is used in mixing heating circuits and also for temperature control of the boiler return.

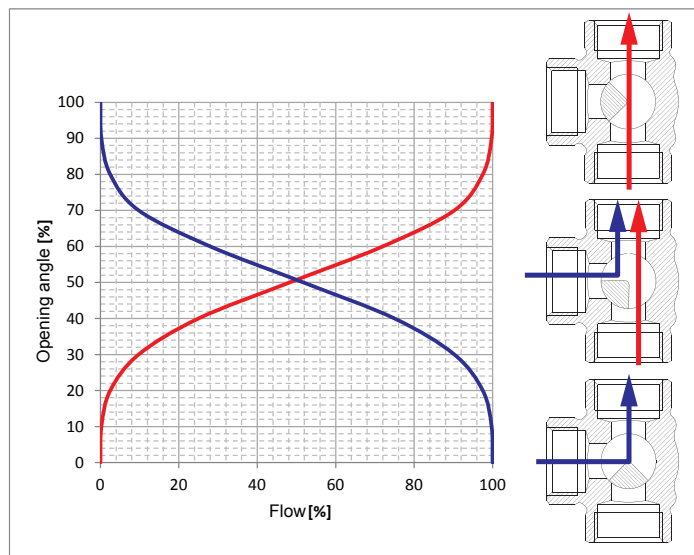
Components:

- valves with thermometers (0-120°C)
- circulation pump
- spacer with non-return valve
- three-way mixing valve
- 3-point actuator
- EPP insulation
- G3/4" connections for upgrade with overflow valve
- mounting brackets

Order Nr.	EAN Nr.	DN	Pump	kvs	A	B	C	D	E	F	G	H	I	J
1 4514 14	3838963426905	20	-	4	250	390	167	125	68	3/4"	16	14	1"	130
1 4514 15	3838963426912	20	-	6,3	250	390	167	125	68	3/4"	16	14	1"	130
1 4514 16	3838963426929	20	Wilo Yonos PARA 15/1-6 130	4	250	390	209	125	68	3/4"	16	14	1"	130
1 4514 17	3838963426936	20	Wilo Yonos PARA 15/1-6 130	6,3	250	390	209	125	68	3/4"	16	14	1"	130
1 4514 18*	3838963426943	20	IMP GHN 15/40-130	4	250	390	167	125	68	3/4"	16	14	1"	130
1 4514 19*	3838963426950	20	IMP GHN 15/40-130	6,3	250	390	167	125	68	3/4"	16	14	1"	130
1 4511 44	3838963426998	25	-	4	250	430	186	125	68	1"	16	12	1-1/4"	180
1 4511 45	3838963427001	25	-	6,3	250	430	188	125	68	1"	16	12	1-1/4"	180
1 4511 46	3838963427018	25	-	10	250	430	193	125	68	1"	16	12	1-1/4"	180
1 4511 47	3838963427025	25	Wilo Yonos PARA 25/1-6 180	4	250	430	186	125	68	1"	16	12	1-1/4"	180
1 4511 48	3838963427032	25	Wilo Yonos PARA 25/1-6 180	6,3	250	430	188	125	68	1"	16	12	1-1/4"	180
1 4511 49	3838963427049	25	Wilo Yonos PARA 25/1-6 180	10	250	430	193	125	68	1"	16	12	1-1/4"	180
1 4511 50*	3838963427056	25	IMP GHN 25/60-180	4	250	430	186	125	68	1"	16	12	1-1/4"	180
1 4511 51*	3838963427063	25	IMP GHN 25/60-180	6,3	250	430	188	125	68	1"	16	12	1-1/4"	180
1 4511 52*	3838963427070	25	IMP GHN 25/60-180	10	250	430	193	125	68	1"	16	12	1-1/4"	180
1 4514 24	3838963427117	32	-	10	250	430	193	125	68	1-1/4"	16	12	1-1/2"	180
1 4514 25	3838963427124	32	-	16	250	430	196	125	68	1-1/4"	16	12	1-1/2"	180
1 4514 26	3838963427131	32	Wilo Yonos PARA 30/1-6 180	10	250	430	193	125	68	1-1/4"	16	12	1-1/2"	180
1 4514 27	3838963427148	32	Wilo Yonos PARA 30/1-6 180	16	250	430	196	125	68	1-1/4"	16	12	1-1/2"	180
1 4514 28	3838963427155	32	IMP GHN 30/60-180	10	250	430	193	125	68	1-1/4"	16	12	1-1/2"	180
1 4514 29	3838963427162	32	IMP GHN 30/60-180	16	250	430	196	125	68	1-1/4"	16	12	1-1/2"	180

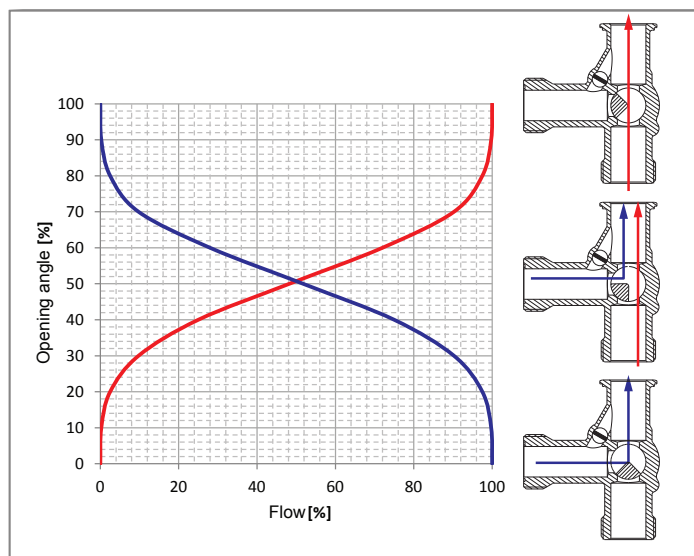
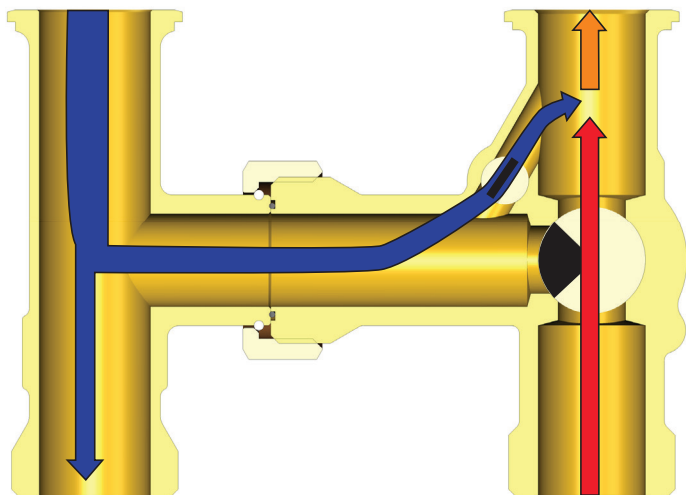
*Not available in EU (Commission regulations (ES) No 641/2009 and No 622/2012)

3-point actuator characteristics



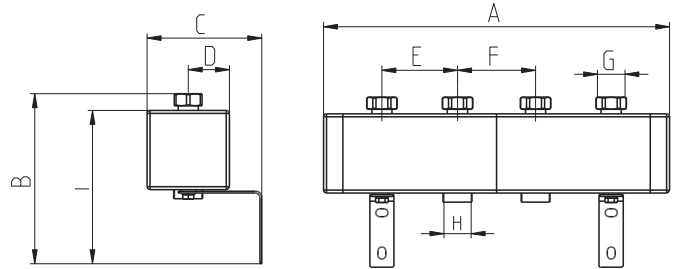
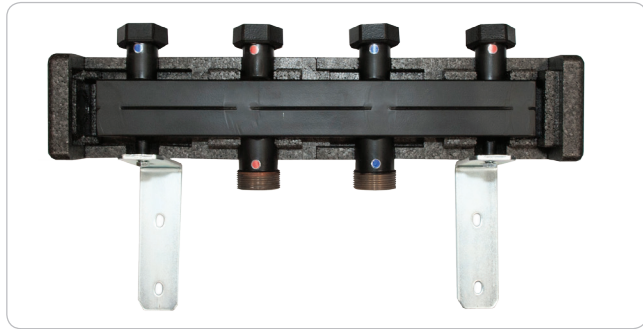
Each HERZ PUMPFIX MIX is equipped with 3- point actuator. It can be controlled manually or electronically with the control system.

Mixing valve with bypass characteristics



A part of the heatflow from the pump on the bypass operation is primed in normal operation – for example, when the return water mixer is closed. This current (smaller blue arrow) pictures 50% of the mixer capacitance (red arrow). A very high flow and a low temperature are sustained.

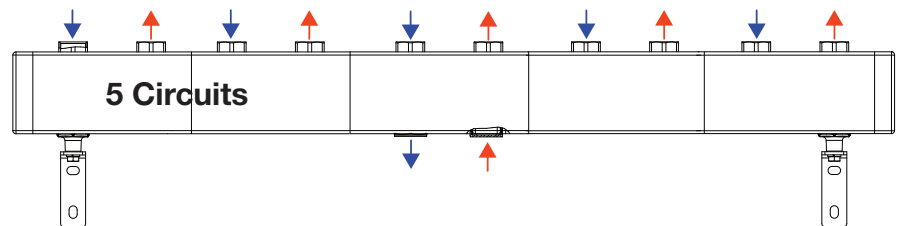
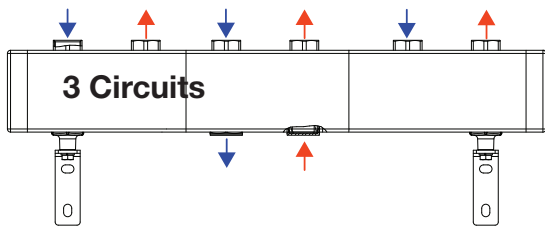
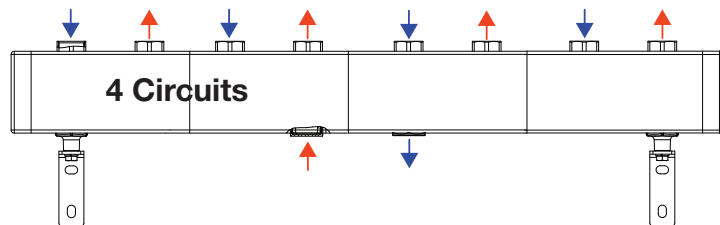
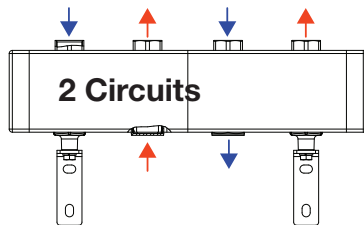
HERZ distributor



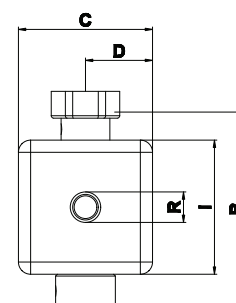
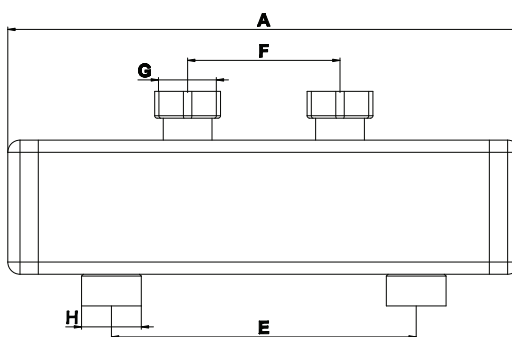
Order Nr.	EAN Nr.	DN	circuits	A	B	C	D	E	F	G	H	I
1 4501 11	3838963364252	25	2	572	280	140-190	68	125	129	1-1/4"	1-1/2"	253,5
1 4501 12	3838963364269	25	3	826	280	140-190	68	125	129	1-1/4"	1-1/2"	253,5
1 4501 13	3838963364276	25	4	1080	280	140-190	68	125	129	1-1/4"	1-1/2"	253,5
1 4501 14	3838963364283	25	5	1334	280	140-190	68	125	129	1-1/4"	1-1/2"	253,5
1 4501 30	3838963364290	32	2	572	280	140-190	68	125	129	1-1/2"	2"	253,5
1 4501 31	3838963364306	32	3	826	280	140-190	68	125	129	1-1/2"	2"	253,5
1 4501 32	3838963364313	32	4	1080	280	140-190	68	125	129	1-1/2"	2"	253,5
1 4501 33	3838963364320	32	5	1334	280	140-190	68	125	129	1-1/2"	2"	253,5

Distributor is used as a part of the pump group system, where a hydraulic circuit has to be divided into more consumer circles and the user wants to regulate them with different temperatures and through different time range.

The set is equipped with mounting equipment (2 brackets, 4 wall screws, 4 wall inserts, 2 M8 screws, 6 M8 washers and 2 spacer gears) for the assembly of the distributor on the wall.

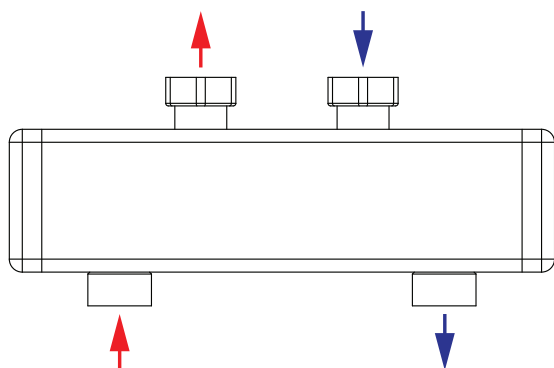


Pumpfix hydraulic separator

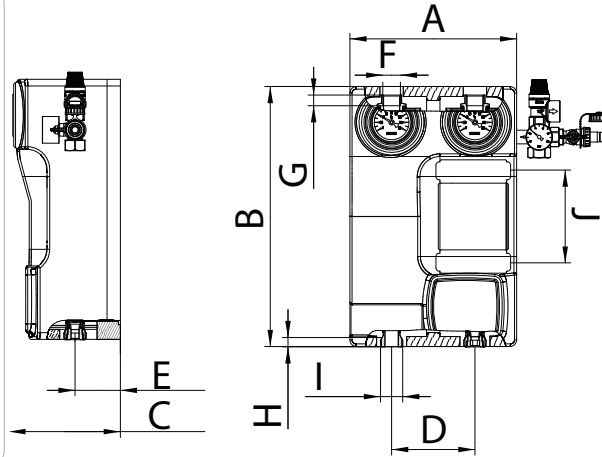
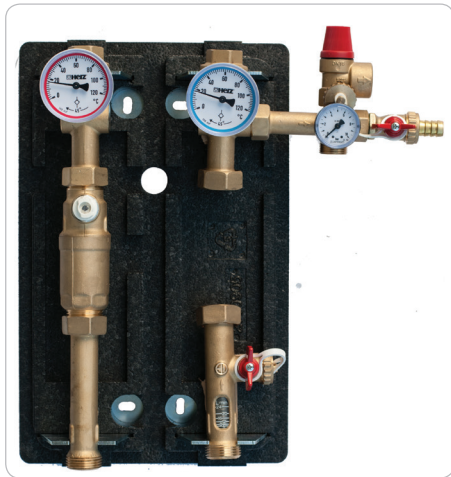


art.	EAN Nr.	DN	PN	A	B	C	D	E	F	G	H	I	R
1 4513 53	3838963428107	25	4	420	162	110	55	250	125	1-1/2"	1-1/4"	110	1/2"

Hydraulic separator is a compensation chamber that allows independent operation of individual heating circuits. It is used in cases where the primary circulation pumps affects one or more secondary circuits. This solves the problems related to the flows and pressures of individual circuits. The hydraulic switch DN25 is installed horizontally on the pumpfix distributor. Alternatively a temperature sensor can be connected to the hydraulic separator where the connector G 1/2 " is located.



Pumpfix SOLAR



Pump group is used for connection of solar panels and domestic water heater.

Components:

- valves with thermometers and non-return inserts in ball
- circulation pump
- air vent
- flowmeter (4-24 l/min)
- spacer
- safety group
- additional equipment can be supplied (service valve, connecting tube with console)
- mounting brackets

Order Nr.	EAN Nr.	DN	Pump	A	B	C	D	E	F	G	H	I	J
1 4513 02	3838963424055	20	-	250	390	161	125	68	3/4"	16	14	1"	130
1 4513 12	3838963424062	20	Wilo Yonos Para ST 15/7,0 PWM 2	250	390	167	125	68	3/4"	16	14	1"	130

Flowmeter



Flowmeter allows reading of current flow in solar system. The valve includes drain valve (used for filling / discharging the system).

Safety group



Pressure relief valve, manometer, drain valve and connection for expansion vessel.

Ball with non-return insert



Ball valves are equipped with ball with non-return insert. It prevents backflow of the medium into the system.

Air vent



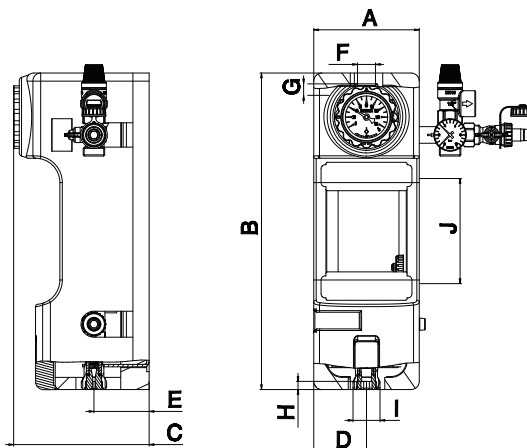
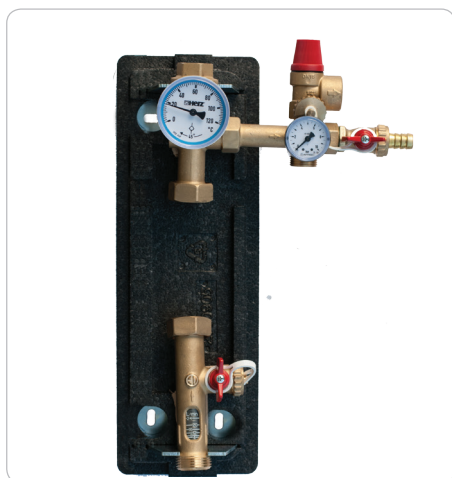
Used in the case of air gathering in solar system.

Pumpfix SOLAR EASY

Pump group is used for connection of solar panels and domestic water heater.

Components:

- valve with thermometer and non-return insert in ball
- circulation pump
- flowmeter (4-24 l/min)
- safety group
- additional equipment can be supplied (service valve, connecting tube with console)
- mounting brackets



Order Nr.	EAN Nr.	DN	Pump	A	B	C	D	E	F	G	H	I	J
1731432	?	20	-	130	390	161	65	68	3/4"	16	14	1"	130
1731433	?	20	Wilo Yonos Para ST 15/7,0 PWM 2	130	390	167	65	68	3/4"	16	14	1"	130

Flowmeter



Flowmeter allows reading of current flow in solar system. The valve includes drain valve (used for filling / discharging the system).

Safety group



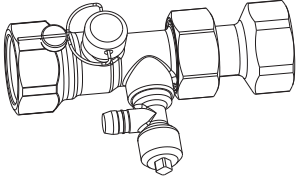

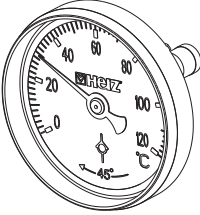
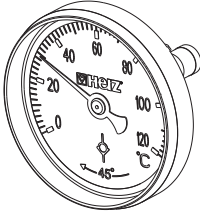
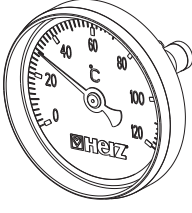
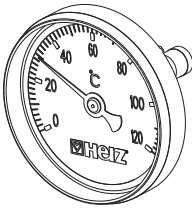
Pressure relief valve, manometer, drain valve and connection for expansion vessel.

Ball with non-return insert

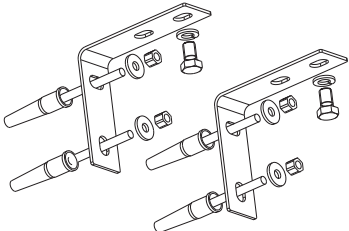
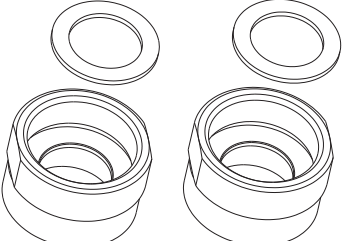


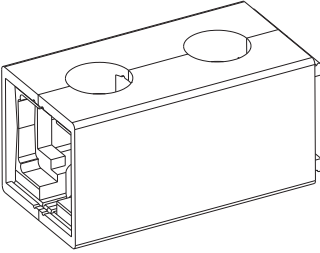
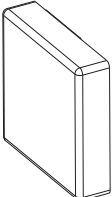


Ball valves are equipped with ball with non-return insert. It prevents backflow of the medium into the system.

PUMPFIX accessories

Illustration	Description	Item number
	<p>Service valve</p>	<p>1 2105 02</p>
	<p>Connecting tube with console</p>	<p>1 4513 30</p>
	<p>Red thermometer for HERZ PUMPFIX Solar</p>	<p>1 2201 93</p>
	<p>Blue thermometer for HERZ PUMPFIX Solar</p>	<p>1 2201 92</p>
	<p>Red thermometer for HERZ PUMPFIX</p>	<p>1 2201 91</p>
	<p>Blue thermometer for HERZ PUMPFIX</p>	<p>1 2201 90</p>

Distibutor accessories

Illustration	Description	Item number
	<p>Wall fixing set</p>	<p>1 4510 50</p>
	<p>Adapter connection set</p>	<p>1 4510 51</p>
	<p>Flat seals set for PUMPFIX system DN25</p>	<p>1 4510 52</p>
	<p>Flat seals set for PUMPFIX system DN32</p>	<p>1 4510 53</p>
	<p>Side cover insulation set</p>	<p>1 4510 54</p>
	<p>Insulation cap</p>	<p>1 4510 55</p>



HERZ Armaturen GmbH
Richard-Strauss-Str. 22, 1230 Wien
Telefon: +43 (0)1 616 26 31-0, faks: +43 (0)1 616 26 31-27
E-pošta: office@herz.eu

www.herz.eu

