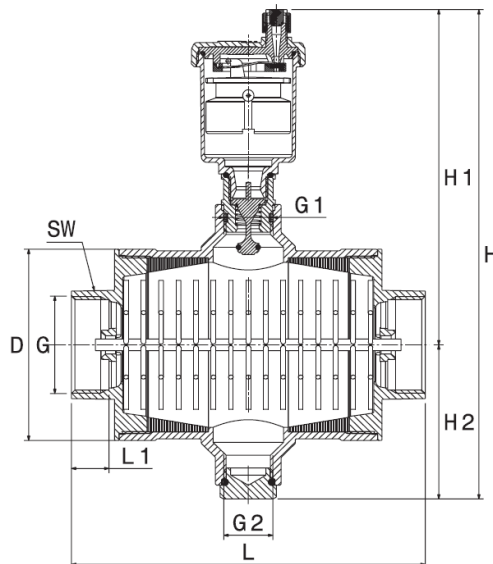


# HERZ Air Separator I 0124 0x

## HERZ Air Separator Solar Plants I 0124 1x

Data sheet for I 0124, Issue 0915

 **Dimensions in mm**


Order #	G	D [mm]	L [mm]	L1 [mm]	G1	G2	H [mm]	H1 [mm]	H2 [mm]	WAF
I 0124 02	3/4	83	170	18	1/2	1/2	214	147	67	38
I 0124 03	1	83	151	16,5	1/2	1/2	214	147	67	38
I 0124 04	1 1/4	83	151	16	1/2	1/2	214	147	67	47
I 0124 05	1 1/2	83	154	17,5	1/2	1/2	214	147	67	54
I 0124 06	2	83	155	18	1/2	1/2	214	147	67	66
I 0124 12	3/4	83	170	18	1/2	1/2	214	147	67	38
I 0124 13	1	83	151	16,5	1/2	1/2	214	147	67	38
I 0124 14	1 1/4	83	151	16	1/2	1/2	214	147	67	47

 **Technical Data I 0124 0x**

Max. pressure:	12 bar
Working pressure:	6 bar
Max. Operating temperature:	110°C
Installation position:	horizontal
Medium:	Water (no steam) and water glycol mixture (max.50%)

 **Technical Data I 0124 1x**

Max. pressure:	10 bar
Working pressure:	6 bar
Max. Operating temperature:	150°C
Installation position:	horizontal
Medium:	Water (no steam) and water glycol mixture (max.50%)

Heating water quality according to ÖNORM H5195 or VDI-Standard 2035. The use of ethylene or propylene glycol in a mixing ratio 25- 50% is allowed.

#### ☑ Versions

- I 0124 0x Air separator in combination with automatic air vent
- I 0124 1x Air separator in combination with automatic air vent for solar plants

#### ☑ Application

Using the HERZ air separator ensures permanent, trouble-free air venting. Large accumulations of air as well as micro bubbles are removed in a reliable way from every heating and liquid-cooled system. For solar plants we recommend to install the HERZ air Separator I 0124 1x.

#### ☑ Installation

The HERZ air separator is installed at the highest points of a system as well as at every location where air is expected to accumulate. It must be installed horizontally. The automatic air vent is included, blanking plugs are pre-installed. Prior to installation, the pipelines must be purged according to instructions to prevent accumulation of dirt particles in the automatic air vent seal area. These would impair the function of the air vent. In addition, we recommend installing home water filters according DIN EN 13443-1. When installing into line sections of solar plants that are charged with steam in case of stagnation, it must be possible to shut off the automatic air vent.

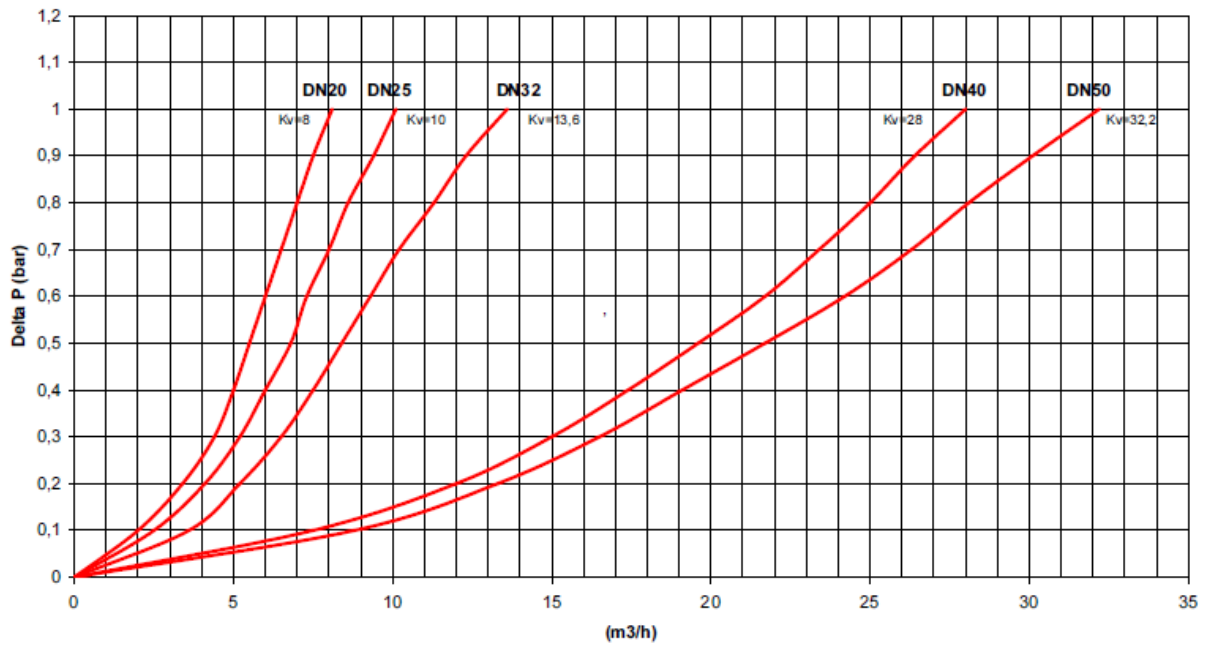
#### ☑ Operation

The HERZ air separator and automatic air vents installed on top of it work automatically. In order to avoid malfunctions of the HERZ air separator due to dirt particles entering from the exterior, the valve cap should remain on the automatic air vent.

#### ☑ Maintenance

The HERZ air separator needs to be maintained on a regular basis as a function of the liquid's composition and quality. It should therefore be installed at locations of the system that are easy to access. Should the automatic air vent have become leaky due to purged-in or detached dirt particles, it is possible to unscrew it using the supplied shutoff element with the system being under pressure. When doing so, small amounts of water can escape between shutoff valve and automatic air vent. Ensure that escaping water cannot cause any damage.

**Attention:** Aggressive media and water additives such as inhibitors can attack o-rings and joints created using Loctite.

Diagramm

Please note: All specifications and information within this document are reflecting the information available at the time of going to print and meant for informational purpose only. Herz Armaturen reserves the right to modify and change products as well as its technical specifications and/or its function according to technological progress and requirements. All diagrams are indicative in nature and do not to be complete. It is understood that all images of Herz products are symbolic representations and therefore may visually differ from the actual product. Colours may differ due to printing technology used. In case of any further questions don't hesitate to contact your closest HERZ Branch-Office.