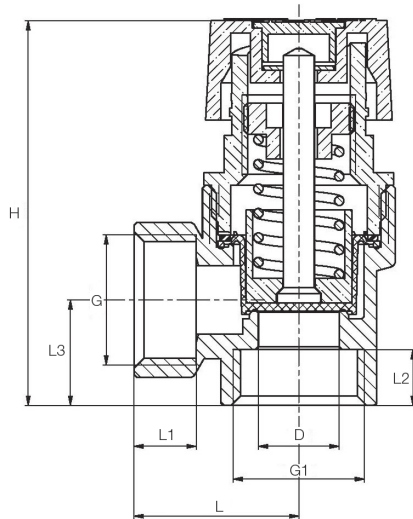


HERZ Safety Valve I 0132

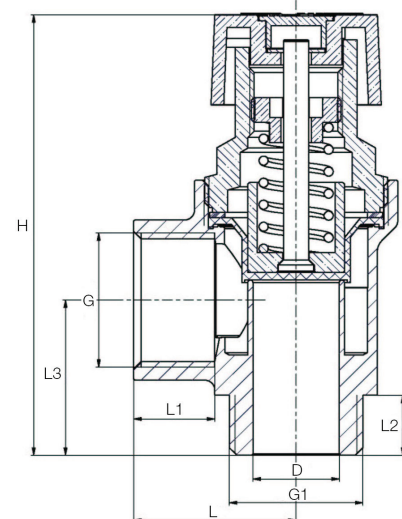
for Sanitary Facilities

Data Sheet I 0132, Issue 0215

☑ Installation Dimensions in mm



I 0132 04



I 0132 14

Article no.	G	G1	D [mm]	L [mm]	L1 [mm]	L2 [mm]	L3 [mm]	H [mm]
I 0132 04	1/2"	1/2"	13	26.5	10	9	17	62
I 0132 14	1/2"	1/2"	13	26.5	10	10	23	65

☑ Technical data

Nominal pressure	PN 6
Response pressure	6 bar
Max. admissible medium temperature	110 °C
Medium	Water

☑ Area of Application

The membrane safety valve is used as a protection against excess pressure in potable water heaters. The valve is preset to 6 bar and opens when the set pressure is exceeded and drains water so the system pressure decreases. As soon as the preset pressure is reached, the valve closes again.

☑ Installation

Installation and maintenance work must be carried out by appropriately trained personnel. Prior to installing the valve, the pipeline must be thoroughly purged as per local regulations. The installation of membrane safety valves and discharge pipes must be accomplished as per DIN 1988-2. Pay attention to the arrow direction during installation.

☑ Version

Membrane safety valve for sanitary applications, brass body (CW617N), plastic cartridge, with green cap.

Note: All diagrams are for illustrating purposes only and do not claim to be complete. All information contained in this document corresponds to the state of knowledge at the time of going to print and is intended for informational purposes only. We therefore reserve the right to make any changes subject to advancing technology. The images are symbolic representations only and can therefore visually deviate from the actual appearance of products. Any deviations in color are due to typography. Subject to country-specific product variants. We reserve the right to change specifications and functions without notice. Please contact your nearest HERZ subsidiary if you have any questions.