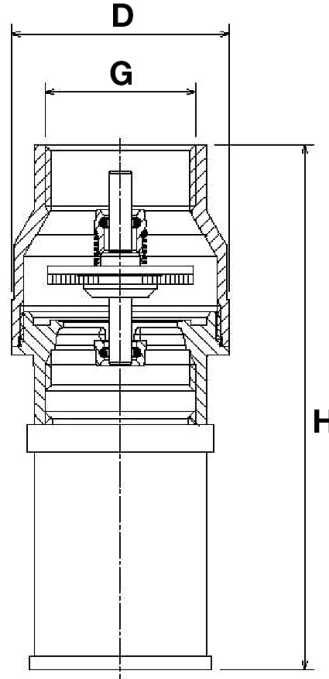


HERZ foot valve

Data sheet I 0237, Issue 0215

☑ Installation dimensions in mm



Article no.	DN	G	D [mm]	H [mm]
I 0237 01	15	1/2"	29	89
I 0237 02	20	3/4"	38	99
I 0237 03	25	1"	48	116
I 0237 04	32	1 1/4"	55	124
I 0237 05	40	1 1/2"	69	142
I 0237 06	50	2"	83	164
I 0237 07	65	2 1/2"	103	177
I 0237 08	80	3"	120	193
I 0237 09	100	4"	155	234

☑ Technical data

Pressure stage	PN 16 to 2" PN 6 from 2 1/2"
Opening pressure	0.02 bar
max. permissible operating temperature	100 °C
Installation position	arbitrary
Medium	water (without steam)

☑ Materials

Housing	pressed brass (CW617)
Spring	stainless steel
Screen	stainless steel
Seals	NBR

☑ Field of use

The foot valve serves to prevent the back-flow of media under pressure, whereby a simultaneous filtering of the medium is guaranteed. The valves are used in well systems and other water systems.

☑ Installation

The foot valve functions in every installation position.

In order to fit it on a pipe, it is first necessary to apply an assembly tool with the correct width across flats to the valve hexagon. The pipe must then be held with pliers and the valve bolted onto the pipe. During the final step, the valve must be held firmly with the appropriate tool, so that the pipe can be screwed onto the valve. Incorrect assembly may result in damage to the connection between the housing and screw-in part.

It is essential to observe the flow direction. This is indicated by an arrow pointing in the flow direction.

☑ Design

Foot valve from pressed brass (CW617) in dimensions 1/2" to 4". The valve is supported by a stainless steel spring. Perfect closure, also with a very low counter pressure. The opening pressure is approx. 0.02 bar.

☑ Maintenance

The foot valve is fundamentally maintenance-free. However, the screen should be cleaned regularly. Leaks at the seal may be caused by deposits or foreign bodies. In an emergency it is necessary to disassemble the valve, in order to carefully clean the seals with compressed air or by mechanical means.

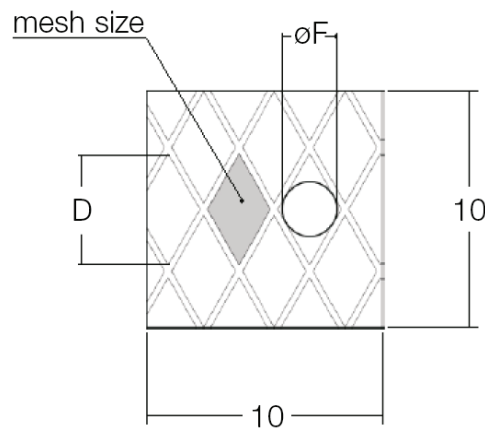
The filter element must be cleaned regularly, in order to obtain the correct flow and to avoid other faults with the pumps.

Caution: Aggressive media and water additives may attack the components.

Maintenance work must take place at resting pressure. The valve is not suitable for the medium steam.

☑ Filter element

A stainless steel screen with brass connection is installed in the foot valve, in order to catch contaminants in the medium.



Holes / cm ²	16
Mesh size	1.7 mm ²
D	2.6
øF	1.25 mm (1250 µm)
Dimensions	1/2" to 4"

Note: All schematics are purely symbolic in nature and do not claim to be complete. All information in this document reflects the information available at the time of going to print and is only provided for information purposes. Subject to change for the purpose of technical progress. The illustrations are symbolic figures and may therefore deviate in appearance from the actual products. Colour deviations may arise with printing. Country-specific product deviations may arise. Technical specifications and the function are subject to change. In case of questions please contact your nearest HERZ branch.