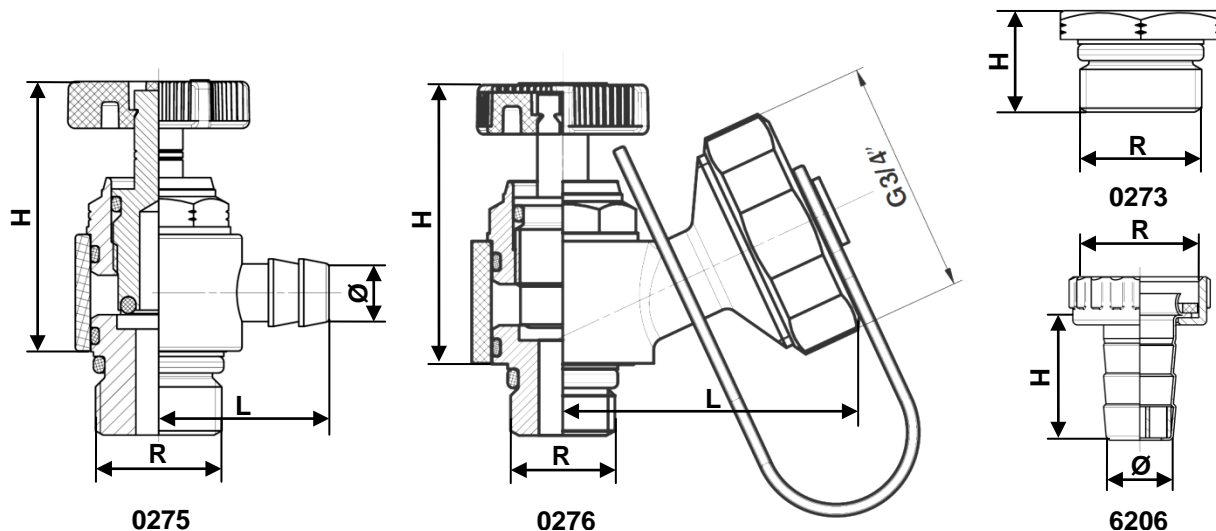


# HERZ Drain valve

## For Control- and Balancing valves

Data sheet 0273-0276, Issue 0919

**Dimensions in mm**



**Models**

**0275**  
Drain cock with handle for domestic water

Order number	H	R	L	Ø
2 0275 00	36	3/8	22,5	7,6
2 0275 09	36	1/4	22,5	7,6

**0276**  
Drain valves with handle and swivel hose connection  
1 0276 red cap  
2 0276 for domestic water, green cap

Order number	H	R	L
1 0276 00    2 0276 00	36	3/8	37,4
1 0276 09    2 0276 09	36	1/4	37,4

**0273**  
Screw plug  
2 0273 for domestic water

Order number	H	R
1 0273 00    2 0273 00	10,8	3/8
1 0273 09    2 0273 09	14	1/4

**6206**  
Hose connection

Order number	H	DN	Ø	R
1 6206 00	26,08	10	10,74	1/2
1 6206 01	25,5	15	14	3/4
1 6206 02	26	20	17	3/4

**Application**

For balancing and isolating valves

The valve is used for filling and emptying plants or plant components. After use, close the valve. Under no circumstances should the valve be permanently open and integrated in the distribution system.

Pursuant to Article 33 of the REACH Regulation (EC No. 1907/2006), we are obliged to point out that the material lead is listed on the SVHC list and that all brass components manufactured in our products exceed 0.1% (w / w) lead (CAS: 7439-92-1 / EINECS: 231-100-4). Since lead is a component part of an alloy, actual exposure is not possible and therefore no additional information on safe use is necessary.

 **Technical data**

Max. operation temperature 130 °C

Max. operation pressure 20 bar

Water purity in accordance with the ÖNORM H 5195 and VDI 2035 standards

Ethylene and propylene glycol can be mixed to a ratio of 25 - 50 vol. [%]

Ammonia contained in hemp can damage brass valve bodies, EPDM gaskets can be affected by Mineral oils lubricants and thus lead to failure of the EPDM seals. Please refer to manufacturers documentation when using ethylene glycol products for frost and corrosion protection.

 **Materials****2 0275**

Body	CW 626N
Spindle	CW 626N
Connection	PPE, Noryl

**0276**

Body	CW 606N
Spindle	CW 606N
Connection	PPE, Noryl

**2 0276**

Body	CW 626N
Spindle	CW 626N
Connection	PPE, Noryl

**0273**

Body	CW 602N
Sealing	O-Ring EPDM

**2 0273**

Körper	CW 626N
Sealing	O-Ring EPDM accor. to KTW

**6206**

Nut	CW 614N
Hose sleeve	CW 614N
Sealing	O-Ring EPDM

 **Connection size at the valve**

Up to DN50 1/4

From DN65 3/8

 **Torque**

Screw plug max. 5 Nm (1/4 and 3/8)

Drain valve max. 7 Nm (1/4 und 3/8)

All specifications and statements within this document are according to information available at the time of printing and meant for informational purpose only. Herz Armaturen reserves the right to modify and change products as well as its technical specifications and/or its functioning according to technological progress and requirements. It is understood that all images of Herz products are symbolic representations and therefore may visually differ from the actual product. Colours may differ due to printing technology used. In case of any further questions don't hesitate to contact your closest HERZ Branch-office