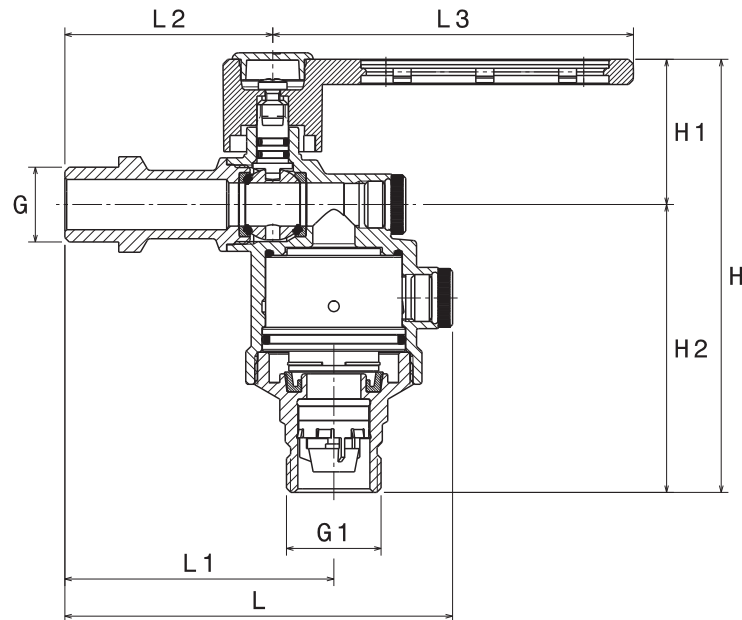


# HERZ take-off fitting I 0300

## with integrated system separator

Data sheet I 0300, Issue 0816

### ☑ Installation dimensions in mm



Article no.	G	G1	L [mm]	L1 [mm]	L2 [mm]	L3 [mm]	H [mm]	H1 [mm]	H2 [mm]
I 0300 01	1/2"	3/4"	108	75	58	100	120	40	80
I 0300 02	3/4"	3/4"	108	75	58	100	120	40	80
I 0300 12	3/4"	1"	108	75	58	100	123	40	83

### ☑ Technical data

Nominal pressure	PN 10
max. operating temperature	65 °C
max. permissible temperature	80 °C (short-term)
Medium	water (without steam)
Installation position	vertical

### ☑ Materials

The housing is produced from pressed brass (CW617N), chrome-plated. The system separator cartridge consists of high quality, lime-repellent plastic. The sealing elements are produced from EPDM. All components are suitable for drinking water and have been issued with the corresponding certificates.

### ☑ Function description

The system separator complies with the European product standard EN 12729. It operates according to the three-chamber system, whereby a middle chamber that can be vented into the atmosphere is separated from the intake and outlet chambers respectively by a back-flow preventer.

Under normal operating conditions, a pressure drop exists in the flow direction from one chamber to the next, such that a back-flow is prevented. Venting of the middle chamber into the atmosphere takes place no later than when the pressure drop between the intake and middle chamber has dropped to 0.14 bar.

**Design**

The system separator of type BA integrated in this take-off fitting has been developed according to the standard DIN EN 1717.

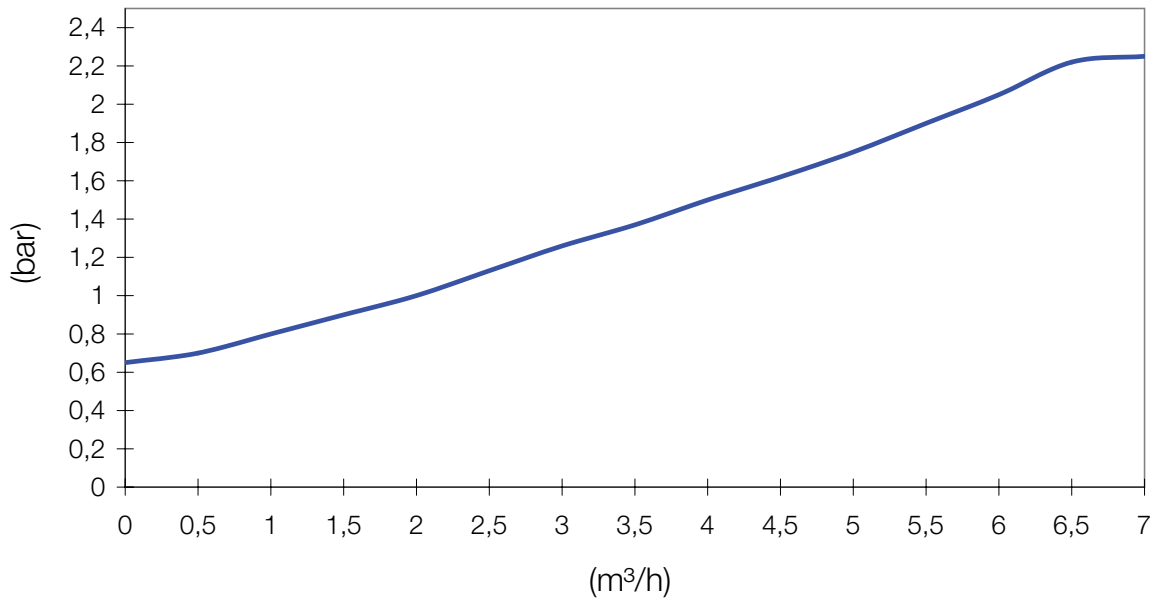
According to this standard, the water quality is divided up into 5 classes depending on the degree of contamination. System separators of type BA provide protection against non-drinking water up to hazard class 4. This is the highest hazard class that may be safeguarded with a valve.

The installation of a dirt trap upstream of the system separator helps to guarantee constant and faultless function. It is only possible to install this fitting vertically.

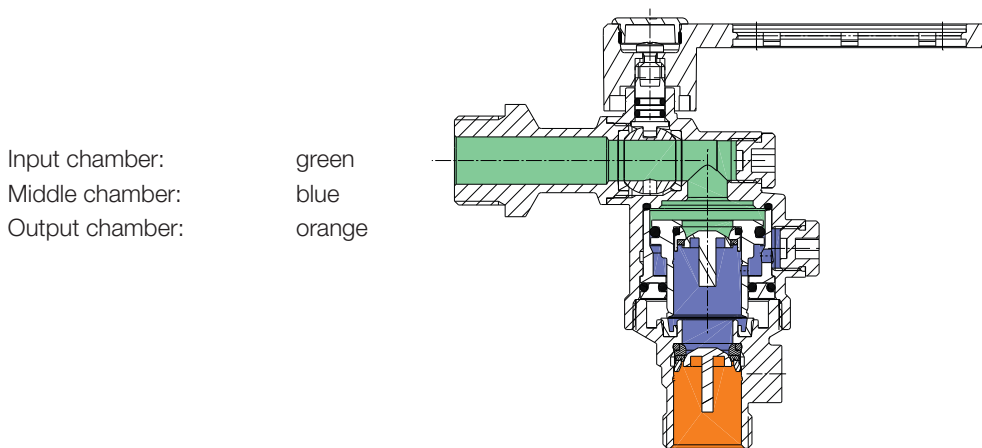
**Application area**

This take-off fitting with integrated system separator (BA) is designed for installation above a drainage fixture or for outdoor installation (e.g. as a garden valve). The fitting comprises an intake-side ball valve and a downstream system separator of type BA according to DIN EN 1717.

**Flow diagram**



**Schematic view**



**Note:** All schematics are purely symbolic in nature and do not claim to be complete. All information in this document reflects the information available at the time of going to print and is only provided for information purposes. Subject to change for the purpose of technical progress. The illustrations are symbolic figures and may therefore deviate in appearance from the actual products. Colour deviations may arise with printing. Country-specific product deviations may arise. Technical specifications and the function are subject to change. In case of questions please contact your nearest HERZ branch.