

# HERZ PUMPFIX

Datasheet 1 45XX XX, Issue 0422

## ☑ Table of contents

• General information about HERZ PUMPFIX pump groups.....	2
• HERZ PUMPFIX Direct (1 451X XX) .....	4
DN 20	
DN 25	
DN 32	
DN 40	
DN 50	
• HERZ PUMPFIX Mix (1 451X XX).....	6
DN 20	
DN 25	
DN 32	
DN 40	
DN 50	
• HERZ PUMPFIX Actuator (1 7712 63).....	11
• HERZ PUMPFIX Overflow valve.....	12
DN 25	
• HERZ PUMPFIX Constant (1 4514 0X).....	14
DN 25	
• Circulation pump Wilo PARA used in HERZ PUMPFIX DN20/25/32 .....	16
• Circulation pump IMP NMT MINI used in HERZ PUMPFIX DN20/25/32 .....	17
• Circulation pump IMP GHN used in HERZ PUMPFIX DN20/25/32 .....	18
• Circulation pump Wilo Stratos MAXO used in HERZ PUMPFIX DN40.....	19
• Circulation pump Wilo Stratos MAXO used in HERZ PUMPFIX DN50.....	20
• Accessories for HERZ PUMPFIX.....	21
• HERZ PUMPFIX Solar (1 4513 X2).....	22
DN 20	
• HERZ PUMPFIX Solar Simple(1 4511 8X).....	24
DN 20	
• Circulation pump Wilo PARA STG used in HERZ PUMPFIX Solar.....	26
• Accessories for HERZ PUMPFIX Solar.....	27
• General information about HERZ PUMPFIX Distributors.....	28
• HERZ PUMPFIX Distributor made from sheet metal (1 4501 XX).....	29
DN 25	
DN 32	
• HERZ PUMPFIX Distributor DN 50.....	31
• HERZ PUMPFIX Pressure-free distributor DN25 .....	33
• HERZ PUMPFIX Hydraulic separator (1 4513 53).....	36
DN 25	
• HERZ PUMPFIX Hydraulic separator (1 4513 54).....	38
DN 32	
• Accessories for HERZ PUMPFIX distributors.....	40
• HERZ PUMPFIX Easy (1 4513 31).....	41
• Example of hydraulic scheme with HERZ products.....	42

# HERZ PUMPFIX

## Pump groups

### General information

#### ☑ Description of HERZ PUMPFIX pump group

HERZ PUMPFIX pump group is a high quality product that is assembled and pressure tested during the manufacturing process under constant quality control.

Advantages of the pump group are:

- all integrated components are the result of our own development,
- permanent quality control of production in our own factories,
- we supply complete pump groups,
- easy installation and maintenance,
- circulation pump with installation length of 130 mm, 180 mm, 240 mm and 280 mm,
- connection distance between supply and return: 125 mm (DN20 - DN32), 180 mm (DN40 - DN50)
- all pump groups are available either with or without circulation pump.

#### ☑ Assembly

The pump group is mounted vertically, with the ball valves with thermometer facing up. Connection to boiler or distributor from below with external thread. Connection to the consumers above with internal thread.

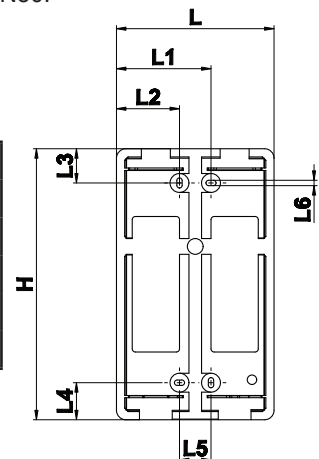
Every HERZ PUMPFIX must be installed on a set of a mounting plate. Every pump group is equipped with two mounting plates.

HERZ PUMPFIX distributor are recommended when using several parallel HERZ PUMPFIX pump groups (in case of multi-circular heating or cold water cooling system). Pump group and distributor are designed in that way that they can be fitted directly to each other. Pump groups (DN25) can also be fitted to distributors with other dimension (DN32) with using adaptor (1 4510 51) connections.

HERZ PUMPFIX distributor DN50 is suitable to PUMPFIX pump groups DN40 and DN50.

#### ☑ Installation dimensions of the support plate

DN	L, mm	H, mm	L1, mm	L2, mm	L3, mm	L4, mm	L5, mm	L6, mm
20	250	390	150	100	50	56,3	50,8	8,5
25	250	430	150	100	50	54,3	58,8	8,5
32	250	430	150	100	50	54,3	58,8	8,5
40	422	845	300	151	95	86	180	10,2
50	422	845	300	151	95	86	180	10,2



#### ☑ Maintenance

According to EN 806-5 (point 6. Operation) ball valves should always be in their fully opened or closed position and actuated at regular intervals to ensure they remain operational. Therefore HERZ ball valves should be closed and opened periodically (at least twice a year, every 6 months). This prevents the ball valve from blocking, reduces sediment deposition and reduces the possibility of corrosion inside the ball valves. The circulation pump can be isolated by closing the ball valves and may therefore be maintained without draining the system.

Repairs on the device must be carried out by authorized persons only.

#### ☑ Disposal instructions

The disposal of HERZ PUMPFIX pump groups must not endanger the health or the environment. National legal regulations for proper disposal of the HERZ PUMPFIX pump groups have to be followed.

Pursuant to Article 33 of the REACH Regulation (EC No. 1907/2006), we are obliged to point out that the material lead is listed on the SVHC list and that all brass components manufactured in our products exceed 0.1% (w / w) lead (CAS: 7439-92-1 / EINECS: 231-100-4). Since lead is a component part of an alloy, actual exposure is not possible and therefore no additional information on safe use is necessary.

Technical data

Dim.	Model	kvs	Q (l/h)	$\Delta T$ (K)					kW
				20	15	10	7,5	5	
DN 20	DIRECT	7,8	1000	23	17	12	9	6	
	MIX	4	1300	30	23	15	11	8	
		6,3	1500	35	26	17	13	9	
DN 25	DIRECT	20	1750	41	30	20	15	10	
	MIX	4	1550	36	27	18	13	9	
		6,3	1700	39	30	20	15	10	
		10	2000	46	35	23	17	12	
CONSTANT	2,6	600	14	10	7	5	3		
DN32	DIRECT	28	2200	51	38	26	19	13	
	MIX	10	2100	49	37	24	18	12	
		16	2300	53	40	27	20	13	
DN40	DIRECT	26,4	8700	202	152	101	76	51	
	MIX	19,8	7500	174	131	87	65	44	
DN50	DIRECT	38	12500	290	218	145	109	73	
	MIX	29,5	10400	242	181	121	91	60	

 Order number of the insulation box (spare part)

	PUMPFIX DIRECT with/without pump	PUMPFIX MIX with/without pump	PUMPFIX CONSTANT with/without pump	PUMPFIX SOLAR with/without pump	PUMPFIX SOLAR Easy with/without pump
DN20	1 4513 62				1 4513 61
DN25	1 4513 63			-	-
DN32	1 4513 63		-	-	-
DN40	-		-	-	-
DN50	-		-	-	-

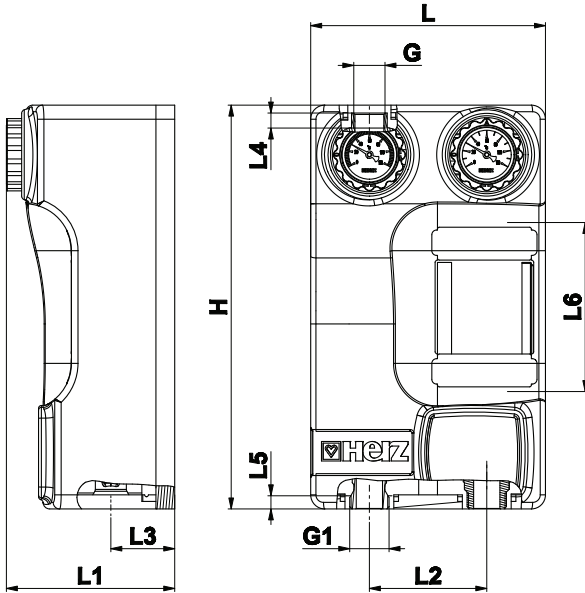
# HERZ PUMPFIX

Direct DN 20, DN 25, DN 32, DN 40, DN 50

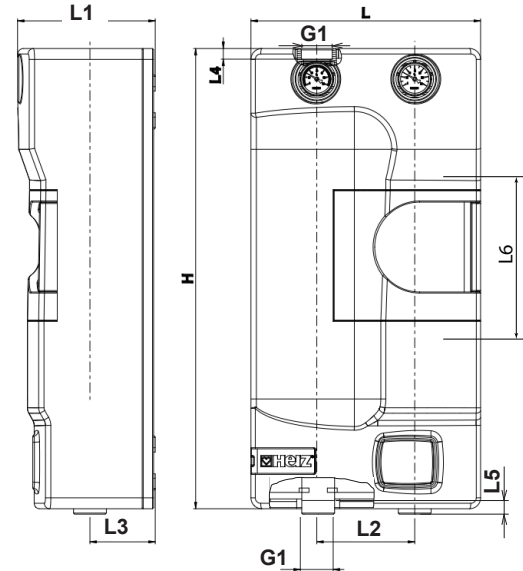
Datasheet 1 451X XX

**Dimensions**

DN 20 - DN 32



DN 40 - DN 50



Order Nr.	DN	Pump	kvs	L [mm]	H [mm]	L1 [mm]	L2 [mm]	L3 [mm]	G* [in]	L4 [mm]	L5 [mm]	G1** [in]	L6 [mm]
1 4514 12	20	WILO PARA 15-130/6-43/SC -12	7,8	250	390	209	125	68	3/4"	16	14	1"	130
1 4510 22	20	IMP NMT MINI 15/60 - 130	7,8	250	390	209	125	68	3/4"	16	14	1"	130
1 4514 13	20	IMP GHN 15/40-130*** (3 speed pump)	7,8	250	390	167	125	68	3/4"	16	14	1"	130
1 4514 11	20	without pump	7,8	250	390	167	125	68	3/4"	16	14	1"	130
1 4510 26	25	WILO PARA 25-180/6-43/SC -12	20	250	430	209	125	68	1"	16	12	1-1/4"	180
1 4510 29	25	IMP NMT MINI 25/60-180	20	250	430	209	125	68	1"	16	12	1-1/4"	180
1 4510 27	25	IMP GHN 25/60-180*** (3 speed pump)	20	250	430	180	125	68	1"	16	12	1-1/4"	180
1 4510 25	25	without pump	20	250	430	180	125	68	1"	16	12	1-1/4"	180
1 4514 22	32	WILO PARA 30-180/6-43/SC -12	28	250	430	209	125	68	1-1/4"	16	12	1-1/2"	180
1 4510 98	32	IMP NMT MINI 30/60 - 180	28	250	430	209	125	68	1-1/4"	16	12	1-1/2"	180
1 4514 23	32	IMP GHN 30/65-180*** (3 speed pump)	28	250	430	180	125	68	1-1/4"	16	12	1-1/2"	180
1 4514 21	32	without pump	28	250	430	180	125	68	1-1/4"	16	12	1-1/2"	180
1 4510 15	40	Wilo Stratos MAXO 40/0,5-8 PN6/10	26,4	422	845	253	180	120	2"	19	25	2"	220
1 4510 05	40	without pump	26,4	422	845	253	180	120	2"	19	25	2"	220
1 4510 16	50	Wilo Stratos MAXO 50/0,5-9 PN6/10	38	422	845	253	180	120	2"	19	25	2"	220
1 4510 06	50	without pump	38	422	845	253	180	120	2"	19	25	2"	220

\*Internal thread

\*\*external thread

\*\*\*According to the Commission regulations (EU) No. 641/2009 and No. 622/2012, these pumps may not be used within the EU

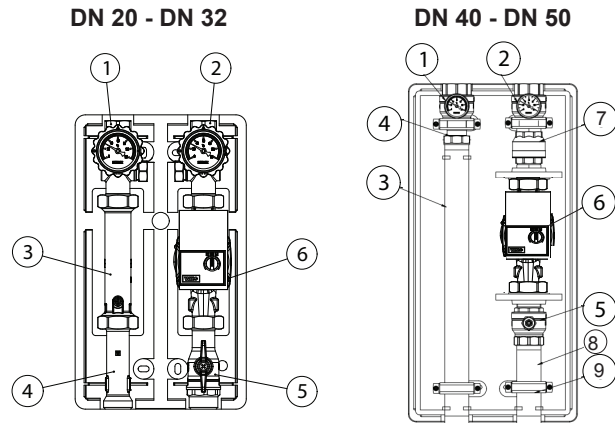
### ☑ Components of HERZ PUMPFIX Direct

#### DN 20 - DN 32

1. Valve with thermometer (blue)
  2. Valve with thermometer (red)
  3. Spacer with check valve
  4. Spacer
  5. Ball valve
  6. Circulation pump\*
- \*see overview table

#### DN 40 - DN 50

1. Valve with thermometer (blue)
2. Valve with thermometer (red)
3. Long spacer
4. Connector with free moving nut
5. Ball valve
6. Circulation pump\*
7. Check valve
8. Short spacer
9. Mounting bracket



### ☑ Material and construction

Ball valve with thermometer:	forged brass EN 12165
Ball:	forged brass acc. to EN 12165, hard chrome plated
Handle of ball valve with thermometer:	plastic, PA66 GF30
Spacer with backflow preventer:	brass
Threaded connectors of closing valve:	internal thread acc. to ISO 7-1
Threaded connector of pump group:	external thread acc. to ISO 228-1
Spindle:	machined brass acc. to EN12164
Spindle seals:	NBR / EPDM
Ball seals:	PTFE
Gaskets:	EPDM
Heat insulation material of pump group:	EPP

### ☑ Operating data

Nominal pressure:	max. 10 bar
Max. operating temperature:	110 °C
Short-term load:	120 °C < 15 s
Min. operating temperature:	0 °C (water 0,5 °C)
Opening pressure for check valve :	200 mmWc
Propylene glycol mixing ratio:	25-50 %

### ☑ Medium

Heating water according to ÖNORM H5195 or VDI-Standard 2035. The use of ethylene or propylene glycol in a mixing ratio 25- 50% is allowed. EPDM gaskets can be affected by mineral oils lubricants and thus lead to failure of the EPDM seals. Please refer to manufacturers documentation when using ethylene glycol and propylene glycol products for frost and corrosion protection.

### ☑ Field of application

The HERZ- PUMPFIX pump group is used in heating and chilled water systems in household areas. The installation of circulation pumps of different manufacturers and types is possible.

The HERZ PUMPFIX DIRECT pump group can be used:

- for filling the hot water tanks,
- for modulating temperature heating systems.

DN20/25/32 HERZ- PUMPFIX pump group can be upgraded with an overflow valve (1 4514 99).

### ☑ Maintenance instruction

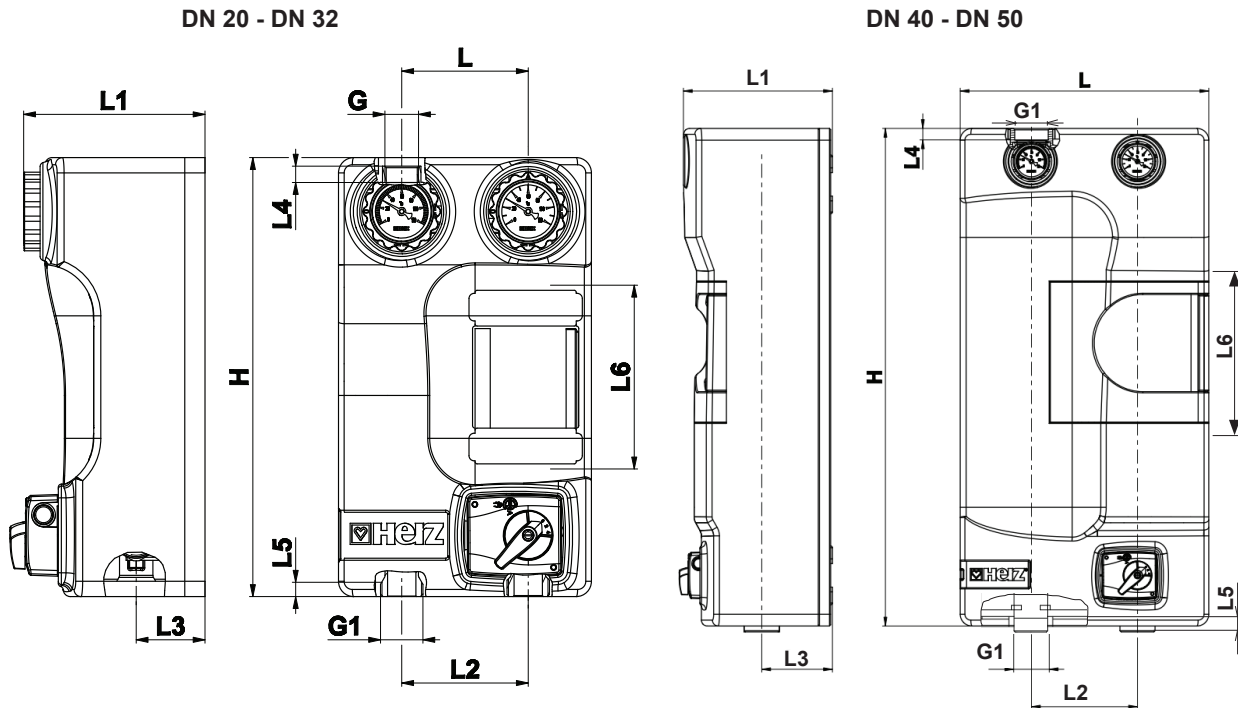
According to EN 806-5 (point 6. Operation) ball valves should always be in their fully opened or closed position and actuated at regular intervals to ensure they remain operational. Therefore HERZ ball valves should be closed and opened periodically (at least twice a year, every 6 months). This prevents the ball valve from blocking, reduces sediment deposition and reduces the possibility of corrosion inside the valve.

# HERZ PUMPFIX

Mix DN 20, DN 25, DN 32, DN 40, DN 50

Datasheet 1 451X XX

**Dimensions**



Order Nr.	DN	Pump	kvs	BP	L [mm]	H [mm]	L1 [mm]	L2 [mm]	L3 [mm]	G* [in]	L4 [mm]	L5 [mm]	G1** [in]	L6 [mm]
1 4514 16	20	WILO PARA 15-130/6-43/SC -12	4	NO	250	390	209	125	68	3/4	16	14	1	130
1 4514 17	20	WILO PARA 15-130/6-43/SC -12	6,3	NO	250	390	209	125	68	3/4	16	14	1	130
1 4510 96	20	IMP NMT MINI 15/60 - 130	4	NO	250	390	209	125	68	3/4	16	14	1	130
1 4510 97	20	IMP NMT MINI 15/60 - 130	6,3	NO	250	390	209	125	68	3/4	16	14	1	130
1 4514 18	20	IMP GHN 15/40-130*** (3 speed pump)	4	NO	250	390	186	125	68	3/4	16	14	1	130
1 4514 19	20	IMP GHN 15/40-130*** (3 speed pump)	6,3	NO	250	390	186	125	68	3/4	16	14	1	130
1 4514 14	20	without pump	4	NO	250	390	186	125	68	3/4	16	14	1	130
1 4514 15	20	without pump	6,3	NO	250	390	186	125	68	3/4	16	14	1	130

\*Internal thread

\*\*external thread

\*\*\*According to the Commission regulations (EU) No. 641/2009 and No. 622/2012, these pumps may not be used within the EU

BP - Bypass on the mixing valve

Order Nr.	DN	Pump	kvs	BP	L [mm]	H [mm]	L1 [mm]	L2 [mm]	L3 [mm]	G* [in]	L4 [mm]	L5 [mm]	G1** [in]	L6 [mm]
1 4511 47	25	WILO PARA 25-180/6-43/SC-12	4	YES	250	430	209	125	68	1	16	12	1-1/4	180
1 4511 48	25	WILO PARA 25-180/6-43/SC-12	6,3	YES	250	430	209	125	68	1	16	12	1-1/4	180
1 4511 49	25	WILO PARA 25-180/6-43/SC-12	10	YES	250	430	209	125	68	1	16	12	1-1/4	180
1 4511 24	25	IMP NMT MINI 25/60-180	4	YES	250	430	209	125	68	1	16	12	1-1/4	180
1 4511 25	25	IMP NMT MINI 25/60-180	6,3	YES	250	430	209	125	68	1	16	12	1-1/4	180
1 4511 26	25	IMP NMT MINI 25/60-180	10	YES	250	430	209	125	68	1	16	12	1-1/4	180
1 4511 50	25	IMP GHN 25/60-180*** (3 speed pump)	4	YES	250	430	186	125	68	1	16	12	1-1/4	180
1 4511 51	25	IMP GHN 25/60-180*** (3 speed pump)	6,3	YES	250	430	188	125	68	1	16	12	1-1/4	180
1 4511 52	25	IMP GHN 25/60-180*** (3 speed pump)	10	YES	250	430	193	125	68	1	16	12	1-1/4	180
1 4511 44	25	without pump	4	YES	250	430	186	125	68	1	16	12	1-1/4	180
1 4511 45	25	without pump	6,3	YES	250	430	188	125	68	1	16	12	1-1/4	180
1 4511 46	25	without pump	10	YES	250	430	193	125	68	1	16	12	1-1/4	180
1 4514 26	32	WILO PARA 30-180/6-43/SC-12	10	NO	250	430	209	125	68	1-1/4	16	12	1-1/2	180
1 4514 27	32	WILO PARA 30-180/6-43/SC-12	16	NO	250	430	209	125	68	1-1/4	16	12	1-1/2	180
1 4510 99	32	IMP NMT MINI 30/60-180	10	NO	250	430	209	125	68	1-1/4	16	12	1-1/2	180
1 4511 00	32	IMP NMT MINI 30/60-180	16	NO	250	430	209	125	68	1-1/4	16	12	1-1/2	180
1 4514 28	32	IMP GHN 30/65-180*** (3 speed pump)	10	NO	250	430	193	125	68	1-1/4	16	12	1-1/2	180
1 4514 29	32	IMP GHN 30/65-180*** (3 speed pump)	16	NO	250	430	196	125	68	1-1/4	16	12	1-1/2	180
1 4514 24	32	without pump	10	NO	250	430	193	125	68	1-1/4	16	12	1-1/2	180
1 4514 25	32	without pump	16	NO	250	430	193	125	68	1-1/4	16	12	1-1/2	180
1 4511 71	40	Wilo Stratos MAXO 40/0,5-8 PN6/10	19,8	NO	422	845	253	180	120	2	19	25	2	220
1 4511 78	40	without pump	19,8	NO	422	845	253	180	120	2	19	25	2	220
1 4511 72	50	Wilo Stratos MAXO 50/0,5-9 PN6/10	29,5	NO	422	845	253	180	120	2	19	25	2	220
1 4511 79	50	without pump	29,5	NO	422	845	253	180	120	2	19	25	2	220

\*Internal thread

\*\*external thread

\*\*\*According to the Commission regulations (EU) No. 641/2009 and No. 622/2012, these pumps may not be used within the EU

BP - Bypass on the mixing valve

### ☑ Components of HERZ PUMPFIX Mix

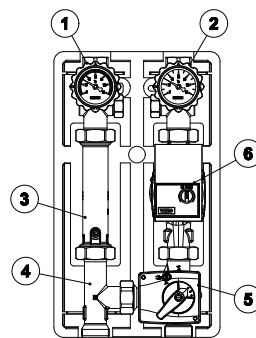
#### DN 20 - DN 32

1. Valve with thermometer (blue)
  2. Valve with thermometer (red)
  3. Spacer with check valve
  4. Return T-piece
  5. Three way valve with a actuator (1 2137 2X)
  6. Circulation pump\*
- \*see overview table

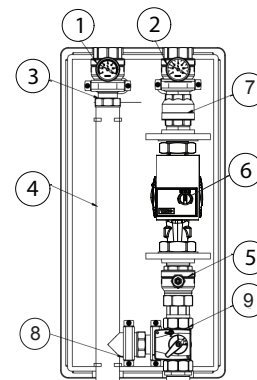
#### DN 40 - DN 50

1. Valve with thermometer (blue)
  2. Valve with thermometer (red)
  3. Connector with free moving nut
  4. T-piece spacer
  5. Ball valve
  6. Circulation pump\*
- \*see overview table
7. Check valve
  8. Mounting bracket
  9. Mixing valve with actuator (1 7712 63)

DN 20 - DN 32



DN 40 - DN 50



### ☑ Material and constructions

Ball valve with thermometer:	forged brass EN 12165
Ball:	forged brass acc. to EN 12165, hard chrome plated
Handle of ball valve with thermometer:	plastic, PA66 GF30
Spacer with backflow preventer:	brass
Threaded connectors of closing valve:	internal thread acc. to ISO 7-1
Threaded connector of pump group:	external thread acc. to ISO 228-1
Spindle:	machined brass acc. to EN12164
Spindle seals:	NBR / EPDM
Ball seals:	PTFE
Gaskets:	EPDM
Heat insulation material of pump group:	EPP

### ☑ Operating data

Nominal pressure:	max. 10 bar
Max. operating temperature:	110 °C
Short-term load:	120 °C < 15 s
Min. operating temperature:	0 °C (water 0,5 °C)
Opening pressure for check valve :	200 mmWc
Propylene glycol mixing ratio:	25-50 %

### ☑ Medium

Heating water according to ÖNORM H5195 or VDI-Standard 2035. The use of ethylene or propylene glycol in a mixing ratio 25- 50 % is allowed. EPDM gaskets can be affected by Mineral oils lubricants and thus lead to failure of the EPDM seals. Please refer to manufacturers documentation when using ethylene glycol and propylene glycol products for frost and corrosion protection.

### ☑ Field of application of PUMPFIX Mix DN20, DN32, DN40, DN50

The HERZ- PUMPFIX pump group is used in heating and chilled water systems in household areas. The installation of circulation pumps of different manufacturers and types is possible. The integrated 3-way valve can be used for mixing in combination with the actuator.

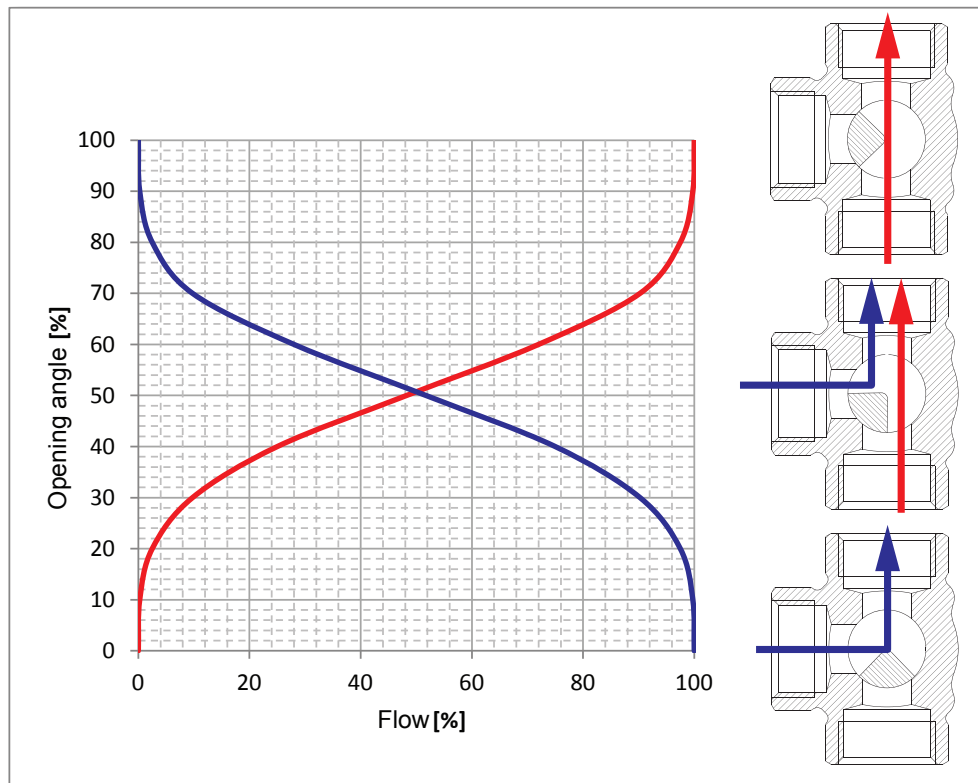
DN20/25/32 HERZ- PUMPFIX pump group can be upgraded with an overflow valve (1 4514 99).

### ☑ Maintenance instruction

According to EN 806-5 (point 6. Operation) ball valves should always be in their fully opened or closed position and actuated at regular intervals to ensure they remain operational. Therefore HERZ ball valves should be closed and opened periodically (at least twice a year, every 6 months). This prevents the ball valve from blocking, reduces sediment deposition and reduces the possibility of corrosion inside the valve.



☑ Characteristic curves of three-way valve DN20, DN32, DN40, DN50



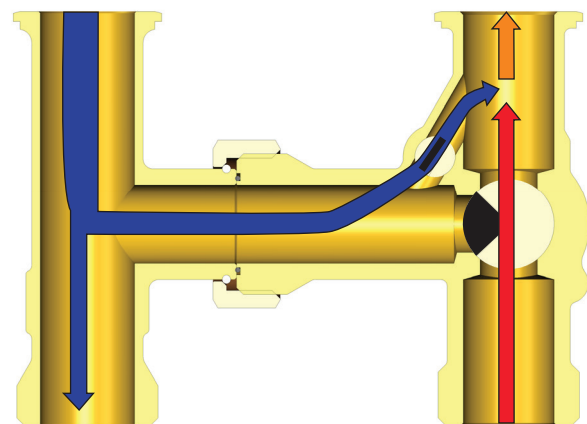
☑ Field of application of PUMPFIX DN25

The HERZ- PUMPFIX pump group is used in heating and chilled water systems in households areas. The installation of circulation pumps of different manufacturers and types is possible. The integrated 3-way valve can be used for mixing in combination with the actuator. The 3-way valve has integrated bypass that can be adjusted in relation to the flow through the mixing valve. The bypass can ensure a constant flow (up to 50% of the flow of the valve) of the liquid from the return circuit. The main function of the integrated bypass comes into use if the system is not working properly and the temperature in the system is too high. The valve with integrated bypass allows fixed flow from the return and so it decreases the temperature. This prevents possible damages in the system.

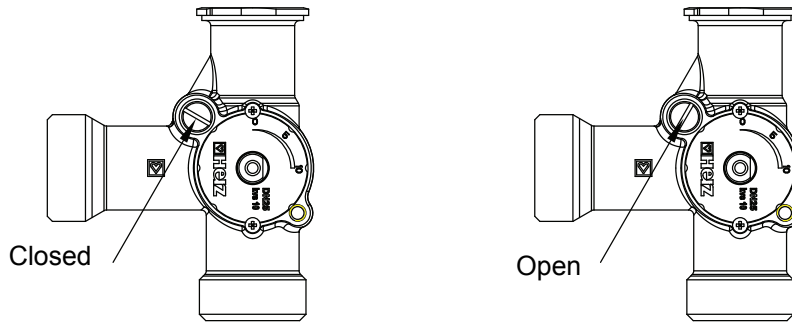
DN20/25/32 HERZ- PUMPFIX pump group can be upgraded with an overflow valve (1 4514 99).

☑ Functional principle of three-way valve DN 25

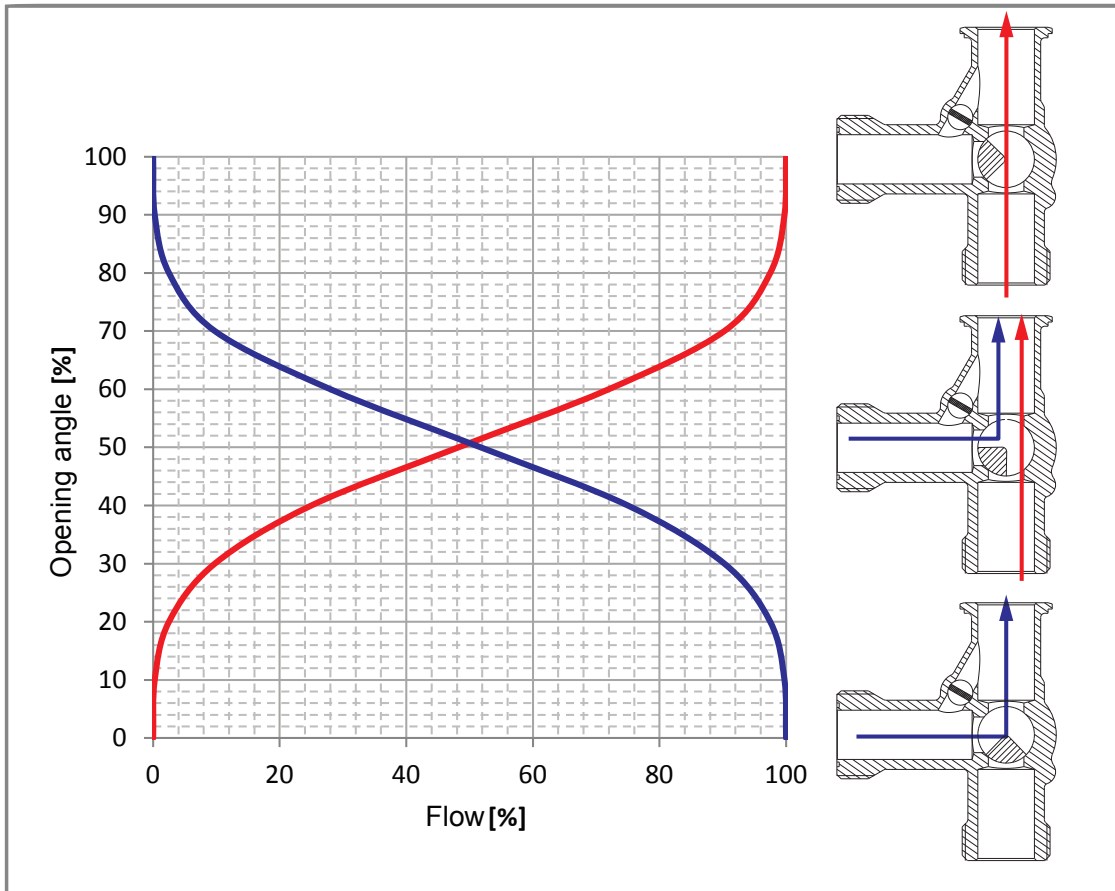
A part of the heatflow from the pump on the bypass operation is primed in normal operation – for example, when the return water mixer is closed. This current (smaller blue arrow) pictures 50% of the mixer capacitance (red arrow). A very high flow and a low temperature are sustained.



Bypass position of three-way valve DN25



Characteristic curves of three-way valve (closed bypass) of three-way valve DN25



# HERZ - 3-point actuator

1 7712 63

General information

## ☑ 3-Point actuator (1 7712 63)

The actuator can be operated by 3-point and open-close control (see diagram). The mounting position in relation to the ball valve can be selected in 90° steps. The actuator is automatically disconnected when the end stops are reached. The actuator can be mounted in any position except with its head down. Two-piece body made of self-extinguishing plastic, the lower part is black and upper part is red. Straightforward direct mounting on the mixing ball valve with a screw. The screw is supplied with actuator.

### Manual operation possible by lever:

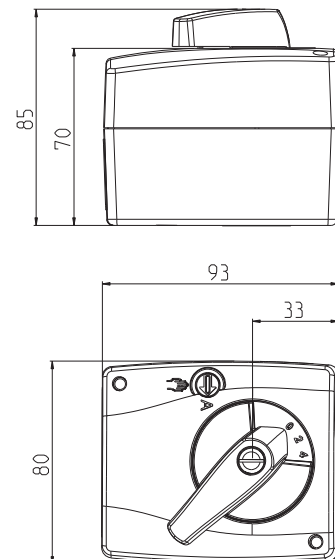
Press for temporary disengagement, permanent gearing disengagement by rotary switch on the housing to the manual position.

### Safety note:

The actuator may only be opened at the factory. It contains no components which can be replaced or repaired by the user.

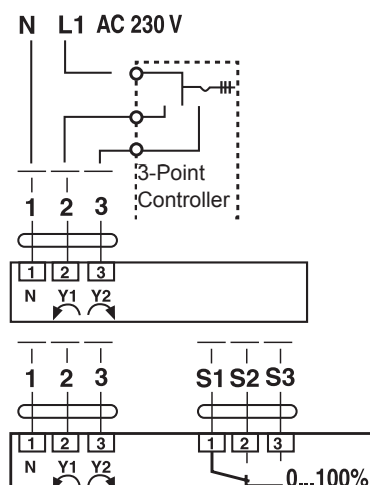
## ☑ Technical data

Nominal voltage	AC 230 V 50 / 60 Hz
Power supply range	AC 198 ... 264 V
Dimensioning	3,5 VA
Power consumption	3,5 W
Auxiliary switch	1 x EPU 5 (1) A, AC 250 V
Switching point	adjustable 0 ... 100%
Manual operation	Temporary and permanent disengagement of the gearing latch min. 10 Nm (at nominal voltage)
Torque	90°
Angle of rotation	140 s
Running time	max. 35 dB(A)
Sound power level	Scale 0 ... 10
Position indication	II (totally insulated)
Protection class	IP40
Degree of protection	0 ... + 50 °C (duty cycle 140/35 s)
Ambient temperature range	+ 5 ... + 120 °C (mixing valve)
Media temperature	- 30 ... + 80 °C
Non-operating temperature	according to EN 60730-1
Humidity test	CE according to 2014/30/EU
EMC	CE according to 2014/35/EU
LV directive	Typ 1.B (EN 60730-1)
Mode of operation	maintenance-free
Maintenance	

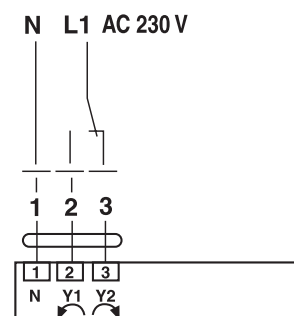


## ☑ Wiring diagram

3-Point Control



Open-Close Control

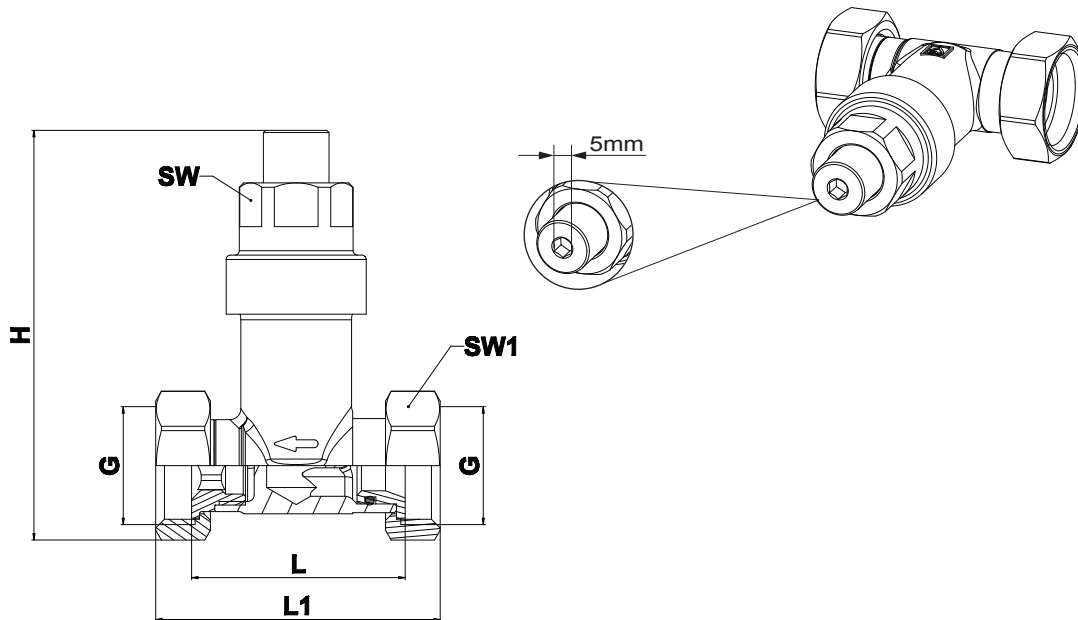


# HERZ overflow valve

## 1 4514 99

General information

Overflow valve (1 4514 99)



Order Nr.	L [mm]	L1 [mm]	H [mm]	SW [mm]	SW1 [mm]	G ["]
1 4514 99	48.8	65	93.6	30	24	3/4

Material and construction

Housing: forged brass acc. to EN 12165  
 Nuts: forged brass acc. to EN 12165; internal thread G3/4" acc. to ISO228-1  
 Sealings: EPDM  
 Spring: stainless steel

Operating data

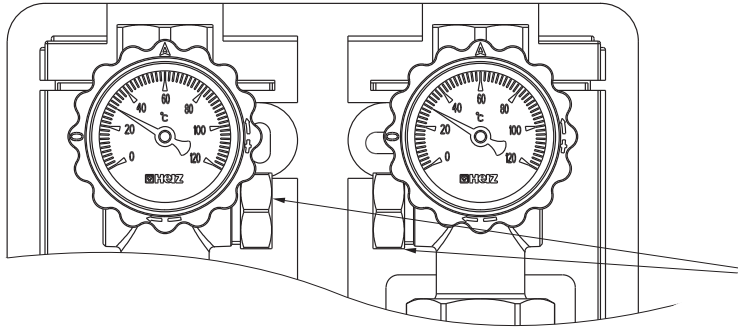
Setting range: 0 - 0,5 bar  
 ↻ 2 turns → 0,1 bar  
 ↻ max. 10 turns → 0,5 bar  
 ↻ close the valve

Application

DN20/25/32 HERZ- PUMPFIX pump group can be upgraded with an overflow valve.

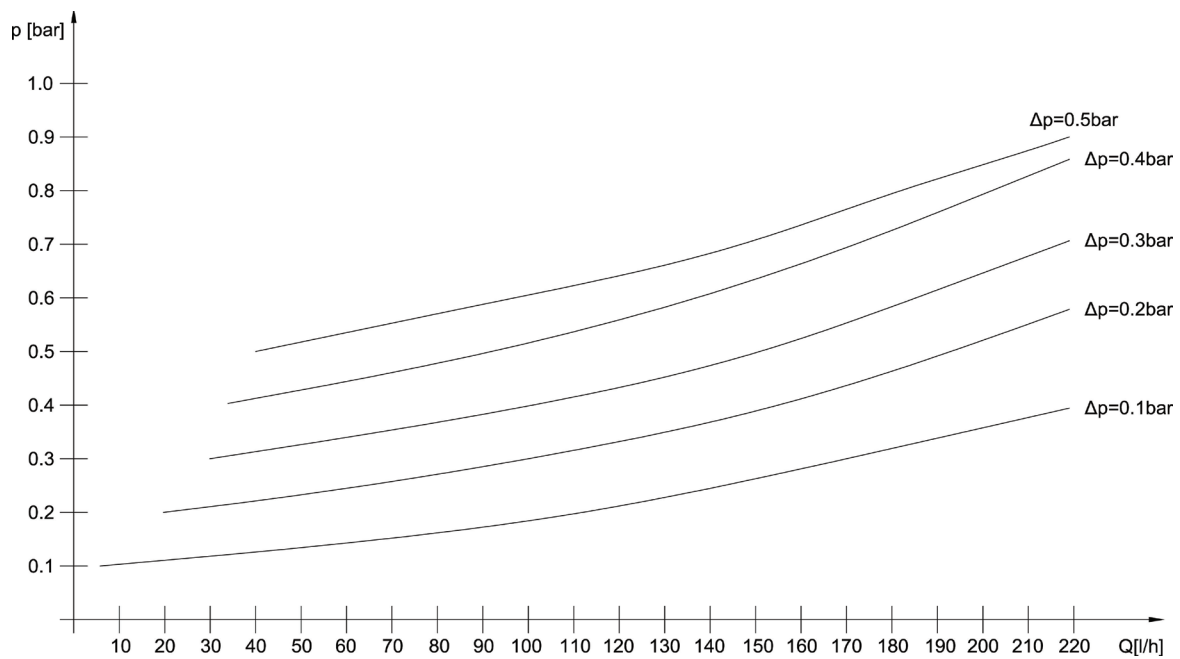
### ☑ Field of application

Overflow valve is used to balance the pressure of the heating installation. Setting range 0-0,5 bar. The amount of water required to reduce the differential pressure is derived in the bypass (depending on the over dimensioning of the pump and the steepness of the pump curve).



Overflow valve can be installed on DN20/25/32 HERZ PUMPFIX pump group.

### ☑ Characteristic curves of overflow valve

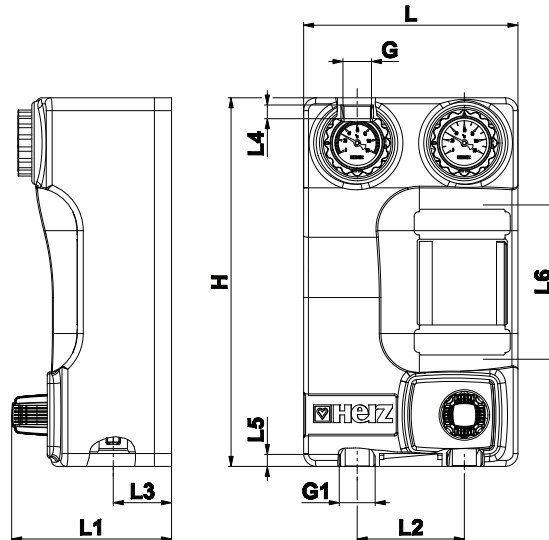


# HERZ PUMPFIX Constant

## constant control for temperature DN 25

Datasheet 1 4514 XX

### ☑ Dimensions



Order Nr.	DN	Pump	kvs [m <sup>3</sup> /h]	BP	L [mm]	H [mm]	L1 [mm]	L2 [mm]	L3 [mm]	G* [in]	L4 [mm]	L5 [mm]	G1** [in]	L6 [mm]
1 4514 08	25	WILO PARA 25-180/6-43/SC -12	2,6	yes	250	430	209	125	68	1"	16	12	1-1/4"	180
1 4514 06	25	IMP NMT MINI 25/60-180	2,6	yes	250	430	209	125	68	1"	16	12	1-1/4"	180
1 4514 09	25	IMP GHN 25/60-180*** (3 speed pump)	2,6	yes	250	430	190	125	68	1"	16	12	1-1/4"	180
1 4514 07	25	without pump	2,6	yes	250	430	190	125	68	1"	16	12	1-1/4"	180

\*Internal thread

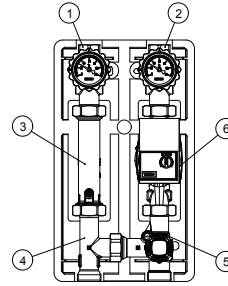
\*\*external thread

\*\*\*According to the Commission regulations (EU) No. 641/2009 and No. 622/2012, these pumps may not be used within the EU

BP - Bypass on the mixing valve

### ☑ Components of HERZ PUMPFIX Constant

1. Valve with thermometer (blue)
  2. Valve with thermometer (red)
  3. Spacer with check valve
  4. Return T-piece
  5. Valve with HERZ Thermostatic head with contact sensor
  6. Circulation pump\*
- \*see overview table



### ☑ Material and construction

Ball valve with thermometer:

forged brass acc. to EN 12165

Ball:

forged brass acc. to EN 12165, hard chrome plated plastic, PA66 GF30

Handle of ball valve with thermometer:

brass

Spacer with backflow preventer:

internal thread acc. to ISO 7-1; G1"

Threaded connectors of closing valve:

external thread acc. to ISO 228-1; G1 1/4"

Threaded connector of pump group:

machined brass acc. to EN12164

Spindle:

NBR / EPDM

Spindle seals:

PTFE

Ball seals:

EPDM

Gaskets:

EPP

Heat insulation material of pump group:

Features:

Temperature regulator with contact sensor

Control range (1 7420 06)\*:

25 - 50°C

\*HERZ Thermostatic head with contact sensor

### ☑ Operating data

Nominal pressure:

max. 10 bar

Max. operating temperature:

110 °C

Short-term load:

120 °C < 15 s

Min. operating temperature:

0 °C (water 0,5 °C)

Opening pressure for check valve :

200 mmWc

Kvs value:

5,8 m³/h

Propylene glycol mixing ratio:

25-50 %

### ☑ Medium

Heating water according to ÖNORM H5195 or VDI-Standard 2035. The use of ethylene or propylene glycol in a mixing ratio 25- 50% is allowed. EPDM gaskets can be affected by Mineral oils lubricants and thus lead to failure of the EPDM seals. Please refer to manufacturers documentation when using ethylene glycol and propylene glycol products for frost and corrosion protection.

### ☑ Field of application

The HERZ- PUMPFIX CONSTANT pump group is used in heating water systems in household areas. The installation of circulation pumps of different manufacturers and types is possible.

The HERZ- PUMPFIX CONSTANT can be used:

For thermostatic control of the heating circuit (such as underfloor heating system).

HERZ- PUMPFIX DN25 pump group CONSTANT can be upgraded with an overflow valve (1 4514 99).

### ☑ Maintenance instruction

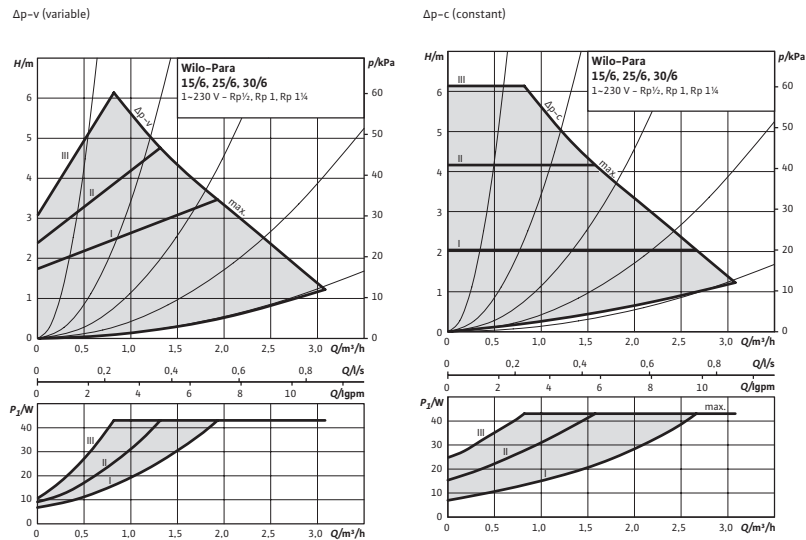
According to EN 806-5 (point 6. Operation) ball valves should always be in their fully opened or closed position and actuated at regular intervals to ensure they remain operational. Therefore HERZ ball valves should be closed and opened periodically (at least twice a year, every 6 months). This prevents the ball valve from blocking, reduces sediment deposition and reduces the possibility of corrosion inside the valve.

# HERZ PUMPFIX

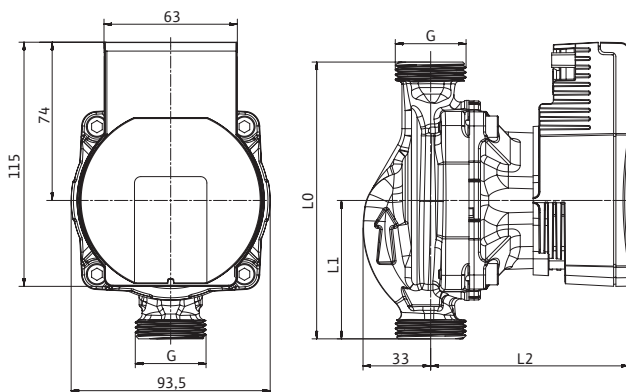
## Circulation pumps Wilo PARA used in pump group DN20/25/32

General information

### ☑ Pump characteristic Wilo PARA



### ☑ Pump dimensions



DN	G	L0	L1
20	1"	130	65
25	1½"	180	90
32	2"	180	90

### ☑ Pump data

Type:

 DN 20: Wilo PARA 15/6 SC 130  
 DN 25: Wilo PARA 25/6 SC 180  
 DN 32: Wilo PARA 30/6 SC 180

Energy Efficiency Index (EEI):

 $\leq 0,20$ 

Max. delivery head:

6.7 m

Max. volume flow:

 3.2  $m^3/h$ 

Max. operating temperature:

110 °C

Max. static pressure:

10 bar

Mains connection:

1~230 V +10%/-15%, 50/60 Hz (IEC 60038 standard voltage)

Protection class:

IPx4D

Insulation class:

F

Minimum suction head at suction port to avoid cavitation at water pumping temperature

Minimum suction head at 50/95°C: 0.5/4.5 m

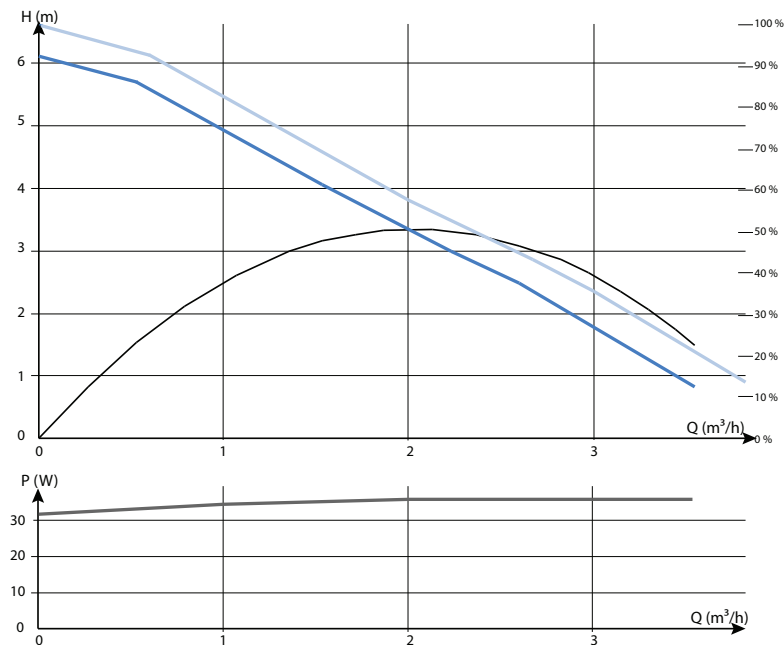


# HERZ PUMPFIX

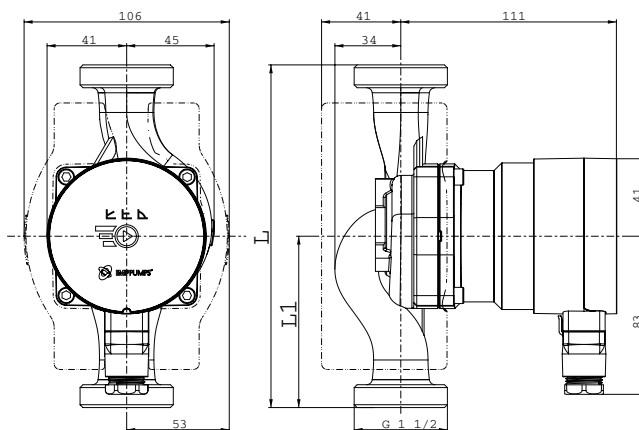
## Circulation pumps IMP NMT MINI used in pump group DN20/25/32

General information

### ☑ Pump characteristic IMP NMT MINI



### ☑ Pump dimensions



DN	G	L	L1
20	1"	130	65
25	1½"	180	90
32	2"	180	90

### ☑ Pump data

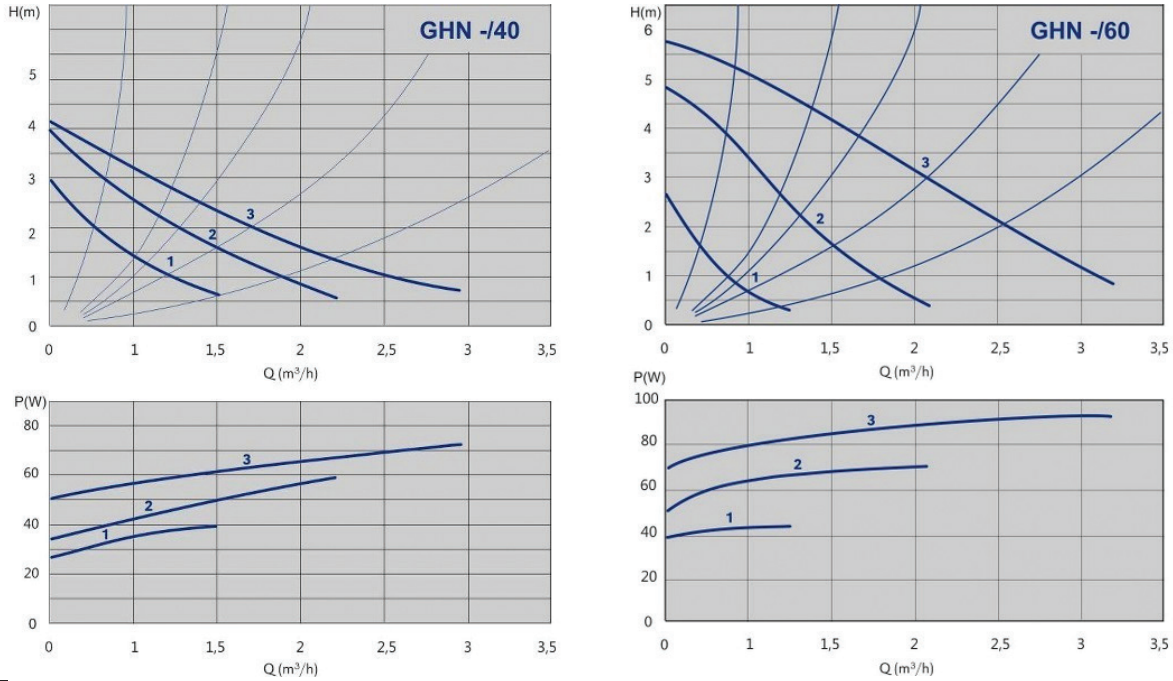
Type:	DN 20: NMT MINI 15/60 -130 DN 25: NMT MINI 25/60 -180 DN 32: NMT MINI 32/60 -180
Energy Efficiency Index (EEI):	0.16
Max. delivery head:	6.1 m
Max. volume flow:	4.0 m³/h
Min. operating temperature:	-10 °C
Max. operating temperature:	110 °C
Max pressure:	10 bar
Power supply:	1-230 V
Mains frequency:	50/60 Hz
Declared protection:	IP44
Insulation class:	F

# HERZ PUMPFIX

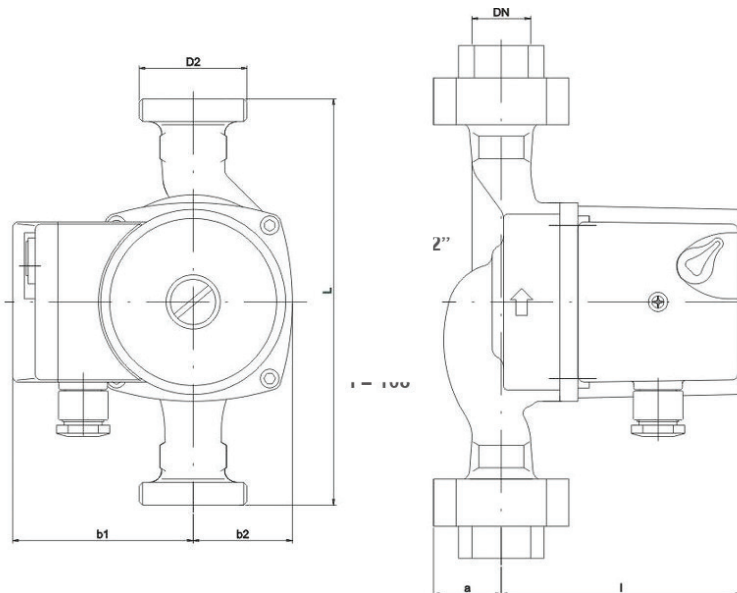
## Circulation pumps IMP GHN used in pump group DN20/25/32

General information

### ☑ Pump characteristic- IMP GHN only available outside EU



### ☑ Pump dimensions



DN	G	L	H <sub>max</sub>
20	1"	130	4 m
25	1½"	180	6 m
32	2"	180	6 m

### ☑ Pump data

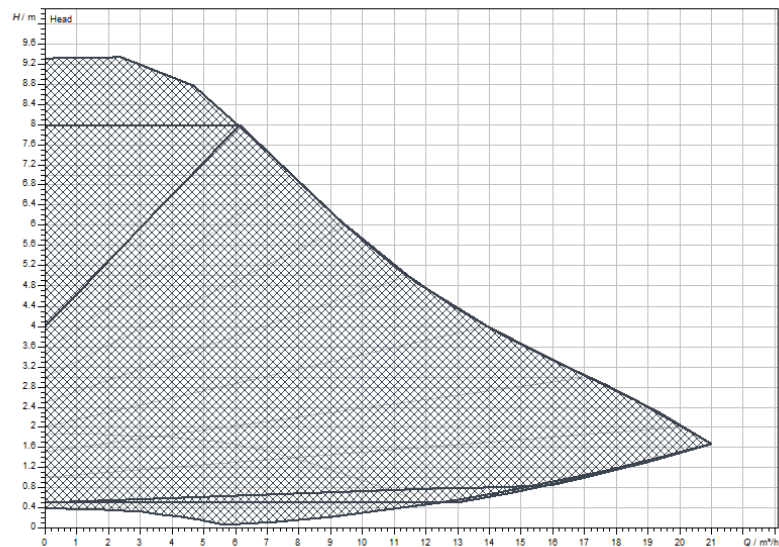
Type:	DN 20: IMP GHN 15/40-130 DN 25: IMP GHN 25/60-180 DN 32: IMP GHN 30/60-180
Max. volume flow:	3,5 m <sup>3</sup> /h
Max. operating temperature:	110 °C
Max. static pressure:	10 bar
Power supply:	1 ~ 230 V
Degree of protection:	IP 44
Insulation class:	H

# HERZ PUMPFIX

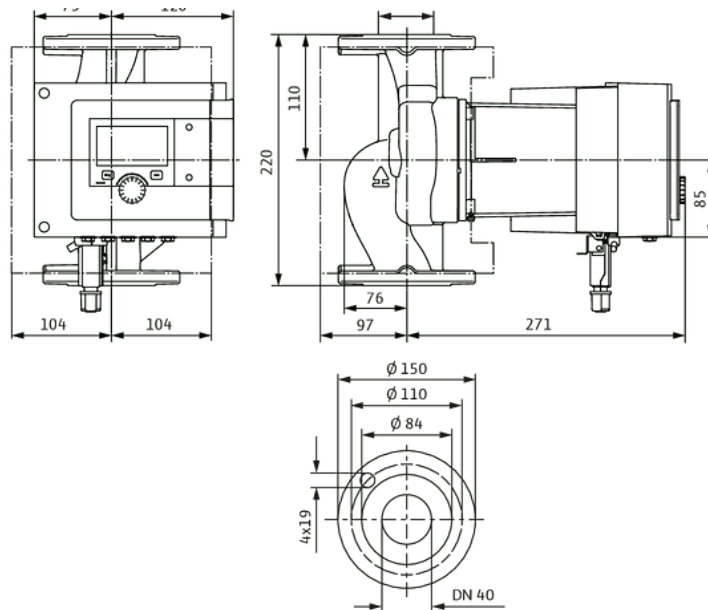
## Circulation pumps Wilo Stratos MAXO used in pump group DN40

General information

### ☑ Pump characteristic Wilo Stratos MAXO 40/0,5 - 8 PN6/10



### ☑ Pump dimensions



### ☑ Pump data

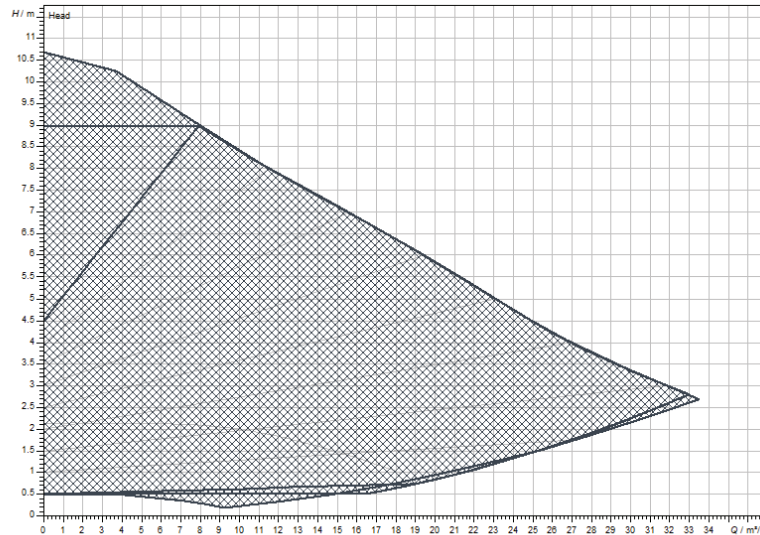
Type:	Stratos MAXO 40/0,5-8 PN6/10
Energy Efficiency Index (EEI):	≤ 0,19
Max. delivery head:	8 m
Max. volume flow:	21 m³/h
Max. operating temperature:	110 °C
Max. static pressure:	10 bar
Mains connection:	1~230 V +10%/-15%, 50/60 Hz (IEC 60038 standard voltage)
Protection class:	IPx4D
Insulation class:	F
Minimum suction head at 50 °C	3 m
Minimum suction head at 95 °C	10 m
Minimum suction head at 110 °C	16 m

# HERZ PUMPFIX

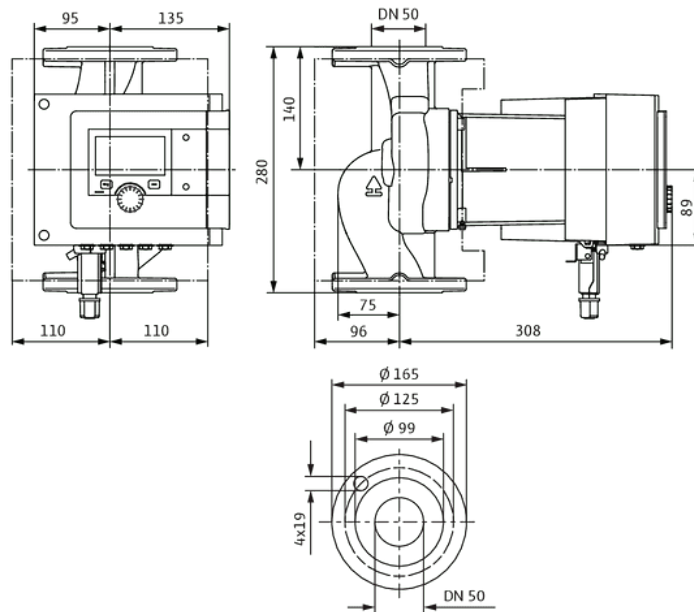
## Circulation pumps Wilo Stratos MAXO used in pump group DN50

General information

### ☑ Pump characteristic Wilo Stratos MAXO 50/0,5 - 9 PN6/10



### ☑ Pump dimensions



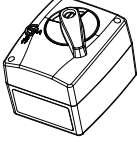
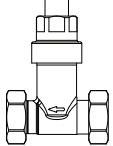
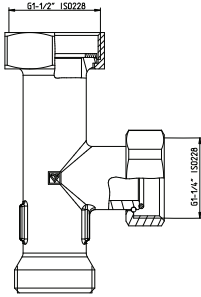
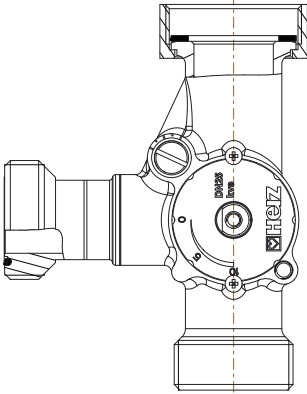


### ☑ Pump data

Type:	Stratos MAXO 50/0,5-9 PN6/10
Energy Efficiency Index (EEI):	≤ 0,17
Max. delivery head:	9 m
Max. volume flow:	33 m³/h
Max. operating temperature:	110 °C
Max. static pressure:	10 bar
Mains connection:	1~230 V +10%/-15%, 50/60 Hz (IEC 60038 standard voltage)
Protection class:	IPx4D
Insulation class:	F
Minimum suction head at 50 °C	5 m
Minimum suction head at 95 °C	12 m
Minimum suction head at 110 °C	18 m

# HERZ PUMPFIX

## Pump groups accessories

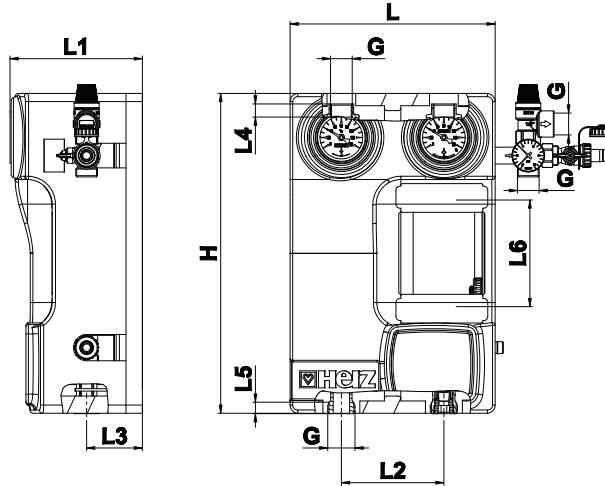
Illustration	Description	Item number
	Red thermometer for HERZ PUMPFIX	1 2201 91
	Blue thermometer for HERZ PUMPFIX	1 2201 90
	3 - point actuator	1 7712 63
	Overflow valve	1 4514 99
	T-piece for PUMPFIX MIX DN 25	1 4514 94
	Mixing valve DN25 kvs 4	1 4514 90
	Mixing valve DN25 kvs 6,3	1 4514 91
	Mixing valve DN25 kvs 10	1 4514 92
	Mixing valve DN25 CONSTANT	1 4514 93

# HERZ PUMPFIX

## Solar

Datasheet 1 4513 X2

### ☑ Dimensions



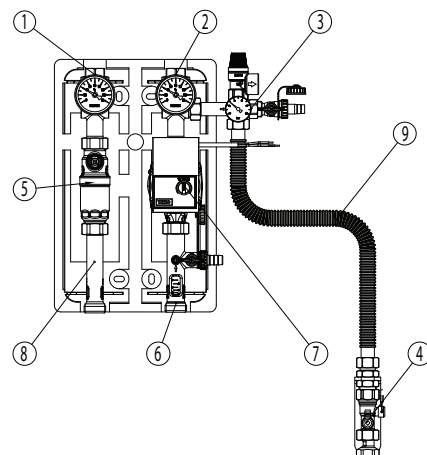
Art. nr.	DN	Pump	L [mm]	H [mm]	L1 [mm]	L2 [mm]	L3 [mm]	G* [in]	L4 [mm]	L5 [mm]	G** [in]	L6 [mm]
1 4513 12	20	Wilo Para STG 15-130/8-75	250	390	167	125	68	3/4	16	14	1	130
1 4513 02	20	Without pump	250	390	161	125	68	3/4	16	14	1	130

\*Internal thread  
\*\*external thread

### ☑ Components of HERZ PUMPFIX solar pump group

1. Valve with Thermometer (red) and check valve
2. Valve with Thermometer (blue)
3. Safety group
4. Service Valve\* (1 2205 02)
5. Air vent
6. Flowmeter
7. Solar pump\*\*
8. Spacer
9. Connecting tube with console\* (1 4513 30)

\*Not included in set, available as an accessory \*\*see overview table



### ☑ Material and construction

Ball valve with thermometer:	forged brass EN 12165
Ball:	forged brass acc. to EN 12165, hard chrome plated
Handle of ball valve with thermometer:	plastic, PA66 GF30
Spacer with backflow preventer:	brass
Threaded connectors of closing valve:	internal thread acc. to ISO 7-1; G1"
Threaded connector of pump group:	external thread acc. to ISO 228-1; G3/4"
Spindle:	machined brass acc. to EN12164
Spindle seals:	NBR / EPDM
Ball seals:	PTFE
Gaskets:	EPDM
Range of flow:	4 - 24 l/min
Heat insulation material of pump group:	EPP

### ☑ Operating data

Nominal pressure:	PN10
Pressure relief safety valve:	6 bar
Max. operating temperature:	110 °C
Short-term load:	120 °C < 15 s
Min. operating temperature:	0 °C (water 0,5 °C)
Opening pressure for check valve:	200 mmWc
Propylene glycol mixing ratio:	25 - 50 %

### ☑ Medium

Usage of ethylene glycol is not recommended due its toxicity. Any risk of leakage in the solar system that is used for the preparation of sanitary warm water may pose a danger for humans and animals. The use of propylene glycol in a mixing ratio 25 - 50% is allowed. EPDM gaskets can be affected by Mineral oils lubricants and thus lead to failure of the EPDM seals. Please refer to manufacturers documentation when using propylene glycol products for frost and corrosion protection.

### ☑ Field of application

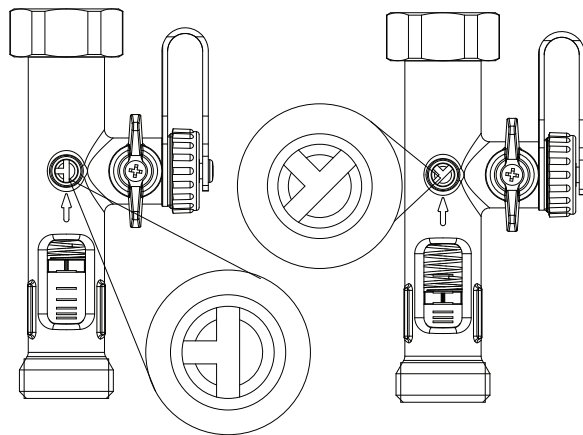
The pump stations are vertically assembled with a ball valve and the thermometer facing upwards. The pump group is part of the solar system for the preparation of sanitary warm water. The installation of the circulating pump of other manufacturers and designs is possible. The pump group is equipped with a flow meter, which enables the setting of the water flow. Furthermore, the pump station is equipped with a venting element, which is manually vented.

### ☑ Functions of components

SOLAR check valve: It is included into the ball valve. The ball valve is used as a shut-off valve, for example, for draining the system. Rotate the handle by 45° clockwise for deactivating the check valve (forced opening).

### ☑ Flowmeter

The flow rate of the solar system can be read off the flow meter. The flow meter has range from 0 - 24 l/min.



### ☑ Maintenance instruction

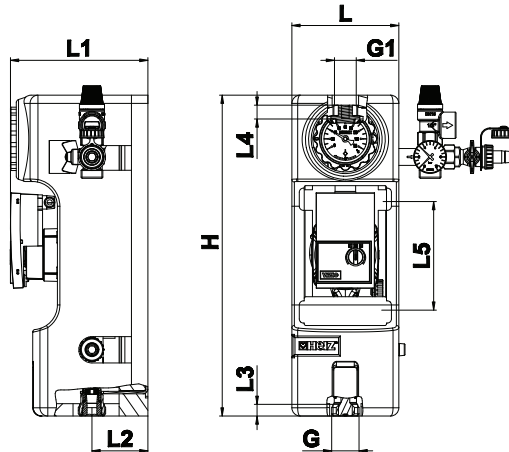
According to EN 806-5 (point 6. Operation) ball valves should always be in their fully opened or closed position and actuated at regular intervals to ensure they remain operational. Therefore HERZ ball valves should be closed and opened periodically (at least twice a year, every 6 months). This prevents the ball valve from blocking, reduces sediment deposition and reduces the possibility of corrosion inside the valve.

# HERZ PUMPFIX

## Solar Simple

Datasheet 1 4511 8X

### ☑ Dimensions

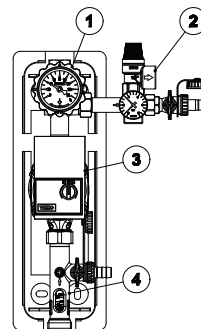


Art. nr.	DN	Pump	H [mm]	L [mm]	L1 [mm]	L2 [mm]	L3 [mm]	L4 [mm]	G** [in]	G1* [in]
1 4511 81	20	Wilo Para STG 15-130/8-75	390	130	167	68	14	16	1"	3/4"
1 4511 82	20	Without pump	390	130	167	68	14	16	1"	3/4"

\*internal thread  
\*\*external thread

### ☑ Components of HERZ PUMPFIX solar simple pump group

1. Ball valve with thermometer and check valve
2. Security group
3. Solar pump
4. Flowmeter



### ☑ Material and constructions

Heat insulation material of pump group:

Ball valve with thermometer and check valve:

Sealing:

Valve connection with thermometer:

Pump group connection:

EPP

forged brass EN 12420

FPM, Klingersil

int. thread ISO 7-1 (top side of PUMPFIX); G 1"

ext. thread ISO 228 (bottom side of PUMPFIX) G 3/4"

### ☑ Maintenance instruction

According to EN 806-5 (point 6. Operation) ball valves should always be in their fully opened or closed position and actuated at regular intervals to ensure they remain operational. Therefore HERZ ball valves should be closed and opened periodically (at least twice a year, every 6 months). This prevents the ball valve from blocking, reduces sediment deposition and reduces the possibility of corrosion inside the valve.



☑ **Operating data**

Max. operating temperature:	110 °C
Short-term load:	120 °C < 15 s
Max. admissible pressure:	PN10
Pressure relief valve:	6 bar
Pressure gauge:	0 - 10 bar
Opening pressure for check valve :	200 mmWc
Adjustable flow Cotroller - flow meter:	4 - 24 l/min
Propylene glycol mixing ratio:	25 - 50 %

☑ **Medium**

Usage of ethylene glycol is not recommended due its toxicity. Any risk of leakage in the solar system that is used for the preparation of sanitary warm water may pose a danger for humans and animals. The use of propylene glycol in a mixing ratio 25- 50% is allowed. EPDM gaskets can be affected by Mineral oils lubricants and thus lead to failure of the EPDM seals. Please refer to manufacturers documentation when using propylene glycol products for frost and corrosion protection.

☑ **Field of application**

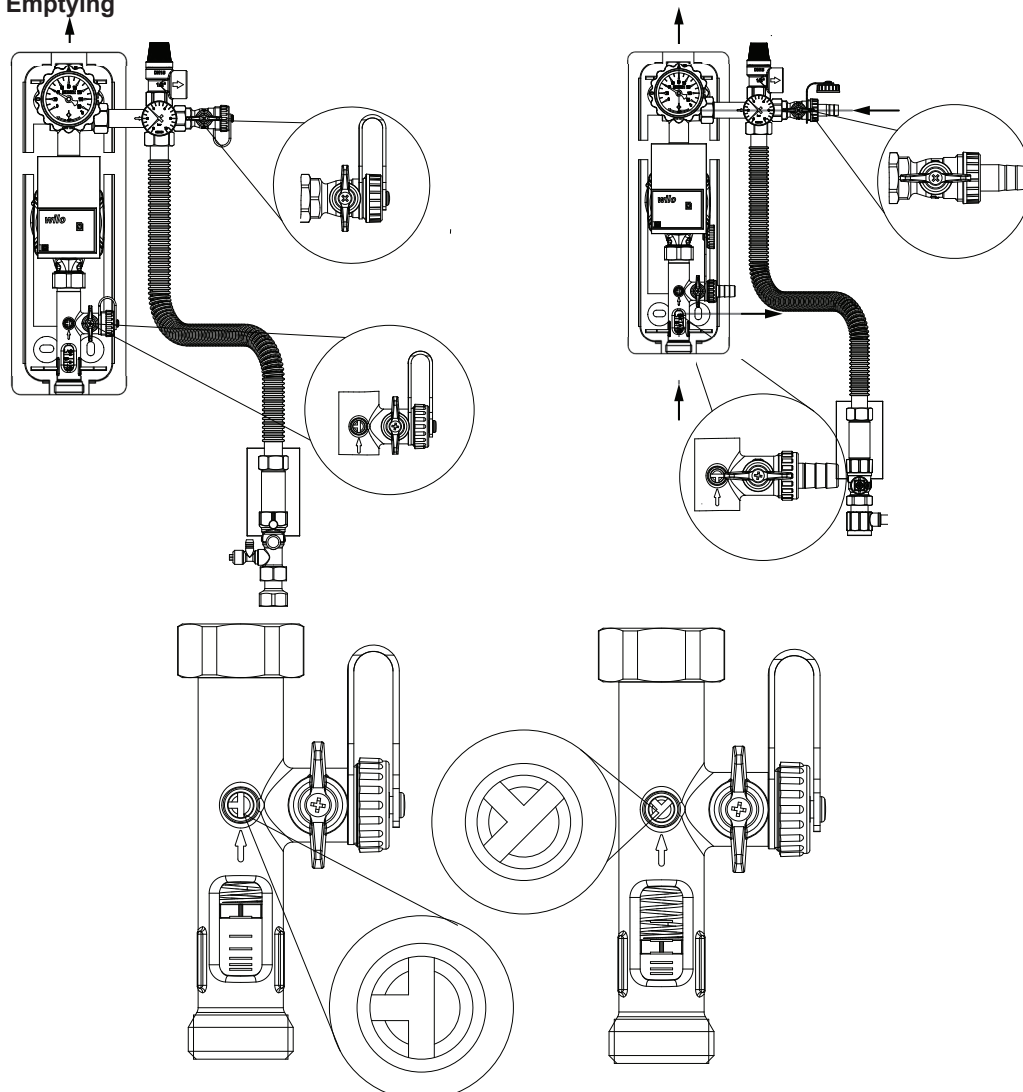
The pump stations are vertically assembled with a ball valve and the thermometer facing upwards. The pump group is part of the solar system for the preparation of sanitary warm water. The installation of the circulating pump of other manufacturers and designs is possible. The pump group is equipped with a flow meter, which enables the setting of the water flow. Safety group which contains of safety valve, manometer, drain valve and connection to expansion tank.

Ball valve with thermometer and check valve.

☑ **Functions of components**

SOLAR check valve: it is included into the ball valve. The ball valve is used as a shut-off valve, for example, for draining the system. Rotate the handle by 45° clockwise for deactivating the check valve (forced opening).

☑ **Filling - Emptying**

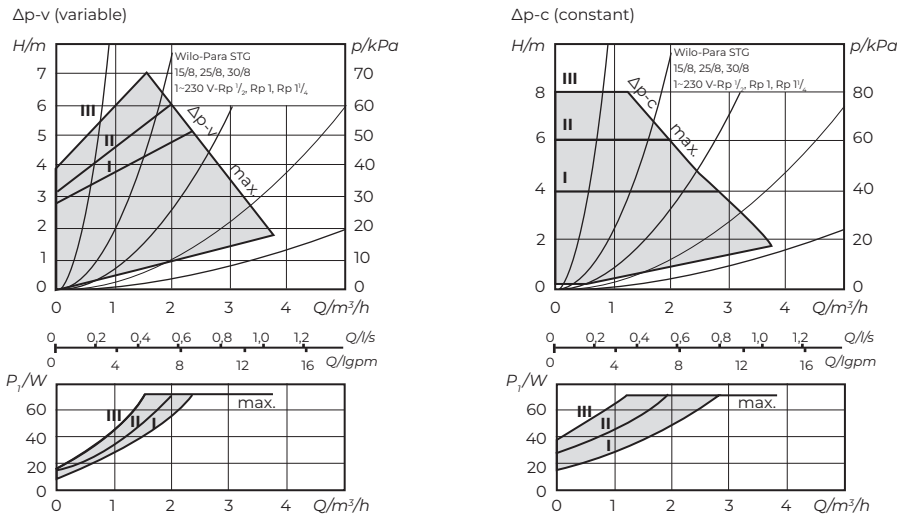


# HERZ PUMPFIX

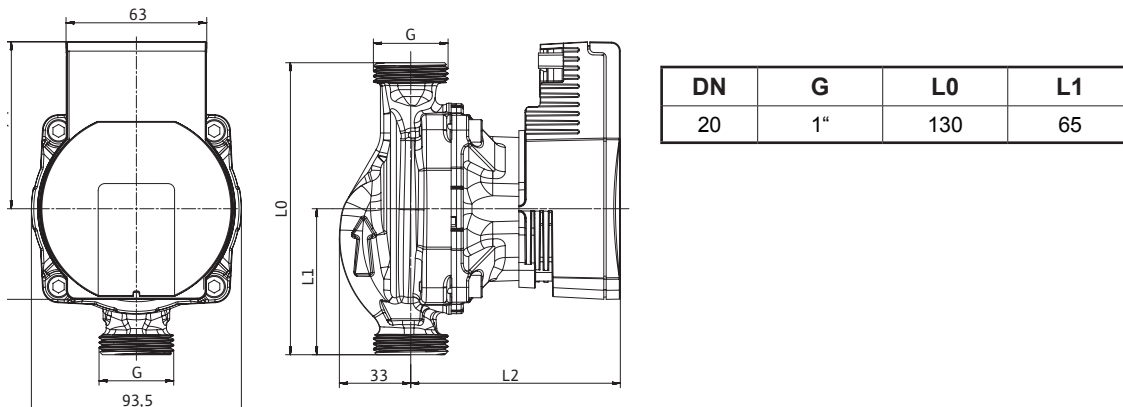
## Circulation pumps Wilo - Para STG used in pump groups solar

General information

### ☑ Pump characteristic Wilo - Para STG 15-130/8-75



### ☑ Pump dimensions



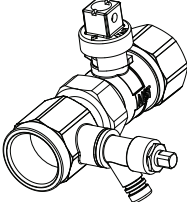



### ☑ Pump data

Type:	Wilo Para STG 15-130/8-75
Thread:	G 1"
Overall length:	130 mm
Energy Efficiency Index (EEI):	≤ 0,21
Max. delivery head:	8.4 m
Max. volume flow:	4 m³/h
Max. operating temperature:	110 °C
Maxi. operating pressure:	10 bar
Mains connection:	1~230 V +10%/-15%, 50/60 Hz (IEC 60038 standard voltage)
Protection class:	IPx4D
Insulation class:	F

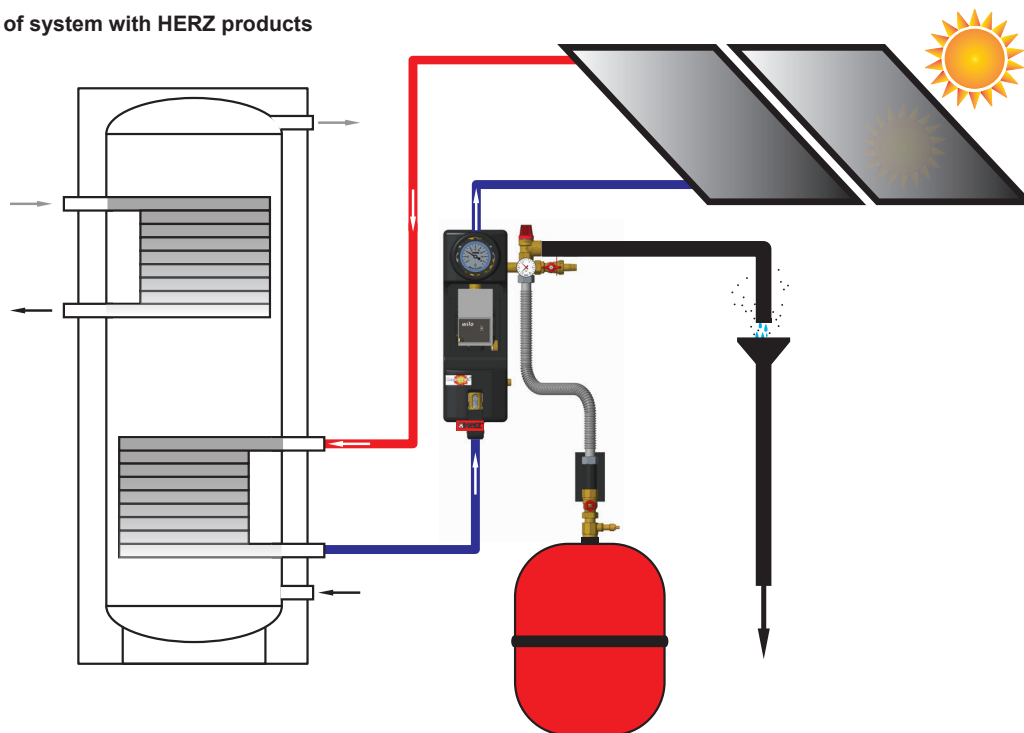
Minimum suction head at suction port to avoid cavitation at water pumping temperature  
 Minimum suction head at 50/95/110 °C: 0.5 / 4.5 / 11 m

# HERZ PUMPFIX

## Solar accessories

Illustration	Description	Item number
	<p><b>Ball valve for expansion tank connection</b></p>	<p>1 2205 02</p>
	<p><b>Connection set of flexible pipe and fastening clip for PUMPFIX SOLAR</b>                      for the mounting of pressure expansion vessels up to 35 litres. Flexible pipe DN16, 500 mm, union nut 3/4" on both sides, flat sealing, console, wall pipe center 220 mm, 3/4" male thread on both sides, flat sealing connection possible. Console suitable for direct assembly of 1 2205 02, ball valve for expansion tank connection DN 20.</p>	<p>1 4513 30</p>
	<p><b>Blue thermometer for HERZ PUMPFIX Solar</b></p>	<p>1 2201 92</p>
	<p><b>Red thermometer for HERZ PUMPFIX Solar</b></p>	<p>1 2201 93</p>

Example of system with HERZ products



# HERZ PUMPFIX

## Distributor

### General information

---

#### **Description of HERZ PUMPFIX distributor**

HERZ PUMPFIX distributor is high quality product that is assembled and pressure tested during the manufacturing process under constant quality control. The distributor is designed so that it is compatible with HERZ PUMPFIX pump group. Because of compatibility of the PUMPFIX system the customer can achieve cost, time and space saving when installing PUMPFIX system to the boiler and piping system.

#### **Application**

HERZ distributor is used in heating systems when there are several heating circuits in the facility / system that we want to regulate according to different temperature and time regimes.

HERZ PUMPFIX distributor recommended when using several parallel HERZ PUMPFIX pump groups (in case of multi-circular heating or cold water cooling system). Pump group and distributor are designed in that way that they can be fitted directly to each other. Pump groups (DN25) can also be fitted to distributors with other dimension (DN32) with using adaptor (1 **4510 51**) connections.

HERZ PUMPFIX distributor DN50 is suitable to PUMPFIX groups DN40 and DN50.

#### **Assembly**

The set is equipped with mounting equipment (2 brackets, 4 wall screws, 4 wall inserts, 2 screws M8, 6 washers M8 and 2 spacer gears) for the assembly of the distributor on the wall. The supply and return flow of the HERZ PUMPFIX distributor are connected with boiler with the help of pipe fittings and flat seals. The pump group and distributor are connected with the help of pipe fittings and EPDM seals. When mounting the HERZ PUMPFIX pump group DN25 on the HERZ PUMPFIX distributor DN 32 always use special adapter 1 **4510 51** (see accessories).

DN 40/50:

The set is equipped with mounting equipment (2 adjustable high mounting legs, flange screws M16x70, klingerit sealings, plugs G1/2" and mounting screws). Distributor can also be fixed to floor. The supply and return flow of the HERZ PUMPFIX distributor are connected with boiler with the help of flanges DN80 and flat seals. The pump group and the distributor are connected with pipe fittings and klingerit seals.

#### **Maintenance instructions**

If the product is used properly, no special maintenance is required. Repairs on the device must be carried out by authorized persons only.

#### **Disposal instructions**

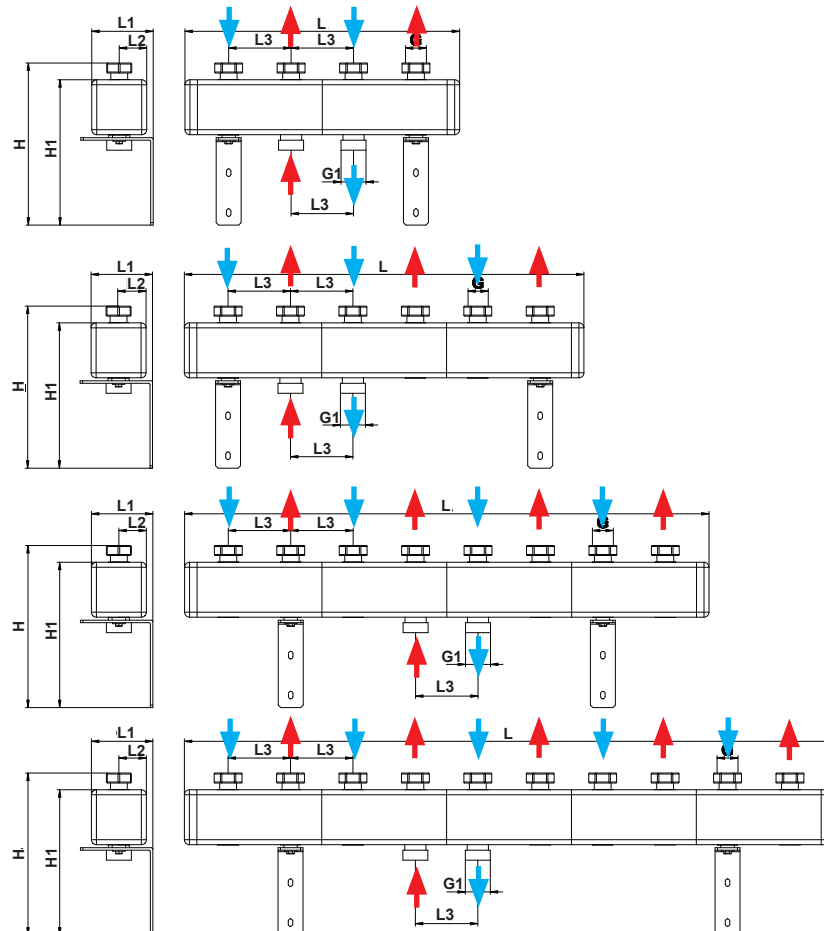
The disposal of the HERZ PUMPFIX distributors must not endanger health or environment. Users have to follow the national legal regulations for proper disposal of the HERZ PUMPFIX distributors.

# HERZ PUMPFIX

## Distributor made from sheet metal DN 25 and DN 32

Datasheet 1 4501 XX

### ☑ Dimensions



Order Nr.	DN	No of circuits	L [mm]	H [mm]	L1 [mm]	L2 [mm]	L3 [mm]	H1 [mm]	G* [in]	G1** [in]
1 4501 11	25	2	550	324	123	55	125	291	1-1/4"	1-1/2"
1 4501 12	25	3	800	324	123	55	125	291	1-1/4"	1-1/2"
1 4501 13	25	4	1050	324	123	55	125	291	1-1/4"	1-1/2"
1 4501 14	25	5	1300	324	123	55	125	291	1-1/4"	1-1/2"
1 4501 30	32	2	515	430	193	75	125	401	1-1/2"	2"
1 4501 31	32	3	765	430	193	75	125	401	1-1/2"	2"
1 4501 32	32	4	1015	430	193	75	125	401	1-1/2"	2"
1 4501 33	32	5	1265	430	193	75	125	401	1-1/2"	2"

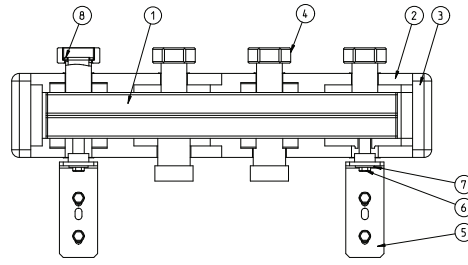
\*internal thread (free turning nut)

\*\*external thread

☑ **Components of HERZ PUMPFIX distributor**

1. Distributor body
2. Insulation cap
3. Side cover
4. Nut
5. Mounting bracket
6. Screw M8 (DN 25), M10 (DN 32)
7. Washer
8. Flat sealing

Brackets, wall inserts, wall screws, screws M8 / M10, washers and spacer gears for assembly of the distributor on the wall are included in the set.



☑ **Material and construction**

Fittings:

Flat sealing:

Insulation:

Mounting brackets:

Housing:

Cast iron EN-GJMW-400-5, DIN EN 1562

EPDM

EPP

Galvanized steel

Powder coated steel (black)

☑ **Operating data**

Max. operating temperature:

110 °C

Max. admissible pressure:

4 bar

Max flow (DN 25):

3 m<sup>3</sup>/h

Max flow (DN 32):

7 m<sup>3</sup>/h

Wheelbase between the connections (boiler and heating circuit): 125 mm

☑ **Medium**

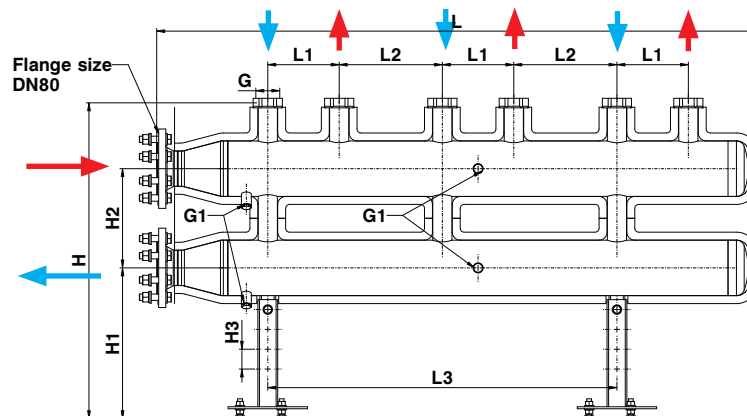
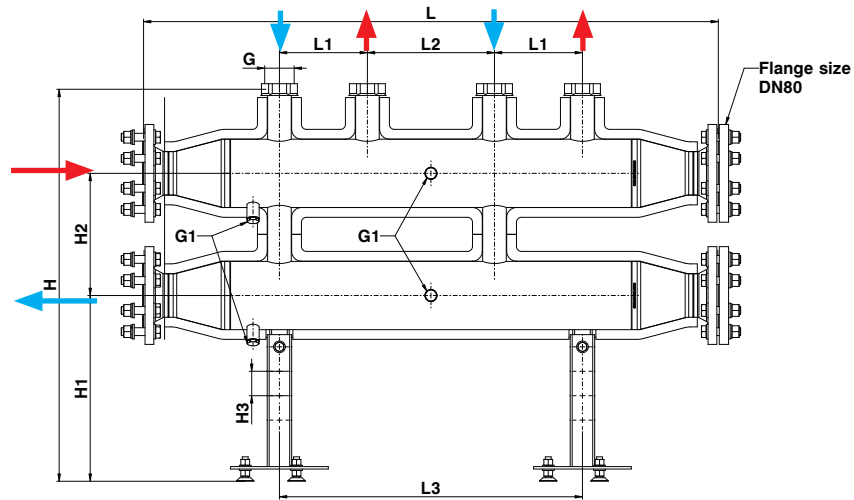
Heating water quality according to ÖNORM H5195 or VDI- Standard 2035. The use of ethylene or propylene glycol in a mixing ratio 25- 50% is allowed. EPDM gaskets can be affected by mineral oil lubricants and thus lead to failure of the sealings. Please refer to manufacturers documentation when using ethylene glycol and propylene glycol products for freezing and corrosion protection.

# HERZ PUMPFIX

## Distributor DN 50

Datasheet 1 4511 XX

Dimensions

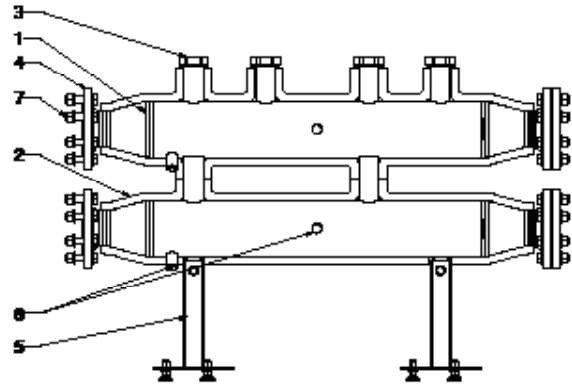


Order Nr.	DN	No of circuits	Flange size (DN)	L [mm]	L1 [mm]	L2 [mm]	L3 [mm]	H* [mm]	H1 [mm]	H2 [mm]	H3 [mm]	G** [in]	G1*** [in]
1 4511 97	50	2	80	1173	180	260	620	800 (850,900,950)	380	250	50	2"	1/2"
1 4511 98	50	3	80	1510	180	260	880	800 (850,900,950)	380	250	50	2"	1/2"

\* Adjustable height position  
 \*\* internal thread (free turning nut)  
 \*\*\* internal thread

### ☑ Components

1. Distributor body
2. Insulation
3. Nut G2
4. Flange DN80 (acc. to EN1092-1)
5. Mounting legs (height adjustable)
6. Plug G1/2
7. Mounting set for flange M16 (screws, nuts, washers)



### ☑ Material and construction

Fittings:	Cast iron EN-GJMW-400-5, DIN EN 1562
Flat sealing:	Klingerit
Insulation:	5 mm NP FR G 2905 + 15 mm C080 RN2
Mounting legs:	Galvanized steel
Housing:	Powder coated steel (RAL 9005)
Flange:	acc. to EN1092-1 DN80/PN10

### ☑ Operating data

Max. operating temperature:	110 °C
Max. admissible pressure:	6 bar
Wheelbase between the connections (boiler and heating circuit):	180 mm

### ☑ Medium

Heating water quality according to ÖNORM H5195 or VDI- Standard 2035. The use of ethylene or propylene glycol in a mixing ratio 25- 50% is allowed. EPDM gaskets can be affected by mineral oil lubricants and thus lead to failure of the sealings. Please refer to manufacturers documentation when using ethylene glycol and propylene glycol products for freezing and corrosion protection.

### ☑ Application

HERZ PUMP distributor DN50 is suitable to PUMPFIX groups DN40 and DN50.



# HERZ PUMPFIX

## Pressure-free distributor DN 25

General information

### ☑ Description of HERZ PUMPFIX Pressure-free distributor

HERZ PUMPFIX pressure-free distributor is high quality product that is assembled and pressure tested during the manufacturing process under constant quality control.

Pressure-free distributor is a combination of manifold and hydraulic switch. The distributor is designed so that it is compatible with HERZ PUMPFIX pump groups. Because of compatibility of the PUMPFIX system the customer can achieve savings of costs, of time, of space and can achieve system efficiency when installing PUMPFIX system to the boiler and piping system.

### ☑ Application

Herz Pressure-free distributor is used in heating and cooling systems, if there are several heating circuits in the system and a feed pump for the distributor is available.

That the inlet pressure of the feed pump does not affect the heating circuits, the distributor is pressure less via a connection between the flow and return.

### ☑ Assembly

Herz Pressure-free distributor is mounted horizontally. The set is equipped with mounting equipment (2 brackets, 4 wall screws, 4 wall inserts, 2 screws M10, and 2 spacer gears) for the assembly of the pressure-free distributor on the wall. Pump groups and the pressure-free distributor are connected with the help of pipe fittings and EPDM seals. The supply and return flow of the Pressure-free distributor are connected with male thread that have been coated with a suitable sealing material (spinning material, teflon ribbon, sealing paste). There should not be excess of sealing material on the pipe because it can damage the thread. When using copper or plastic pipes take into account pressure and temperature limits of used material.

When assembling, use a suitable assembly tool that adapts to connections (Sw). Following assembly, the connections of distributor must be checked for water-tightness by the installer. All engineering standards and recognised regulations must be adhered to by these specialist staff.

An immersion sleeve for a temperature sensor can be fitted to the G1/2" connection.

### ☑ Maintenance instructions

If the product is used properly, no special maintenance is required. Repairs on the device must be carried out by authorized persons only.

### ☑ Disposal instructions

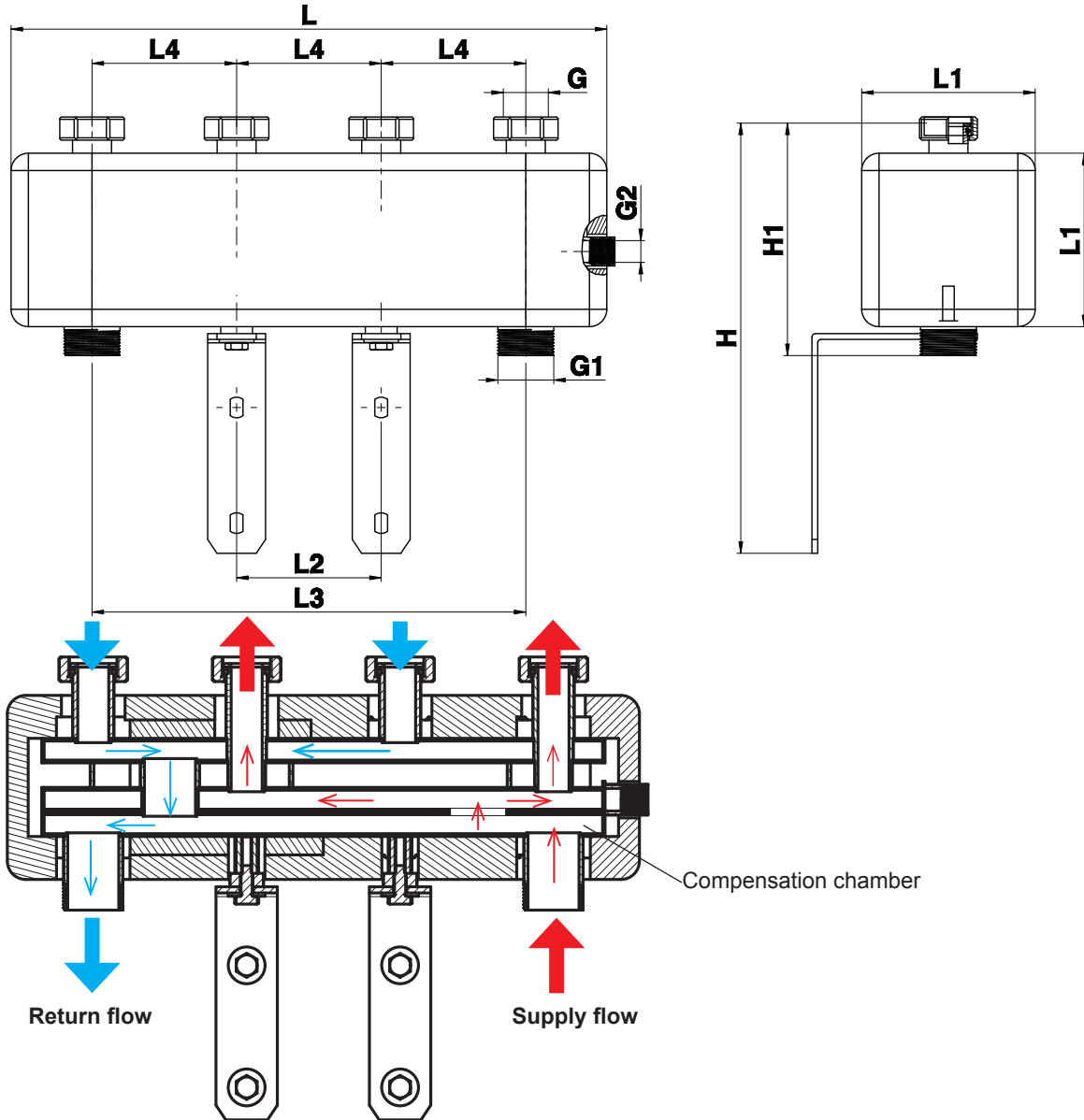
The disposal of the HERZ PUMPFIX Pressure-free distributors must not endanger health or environment. Users have to follow the national legal regulations for proper disposal of the HERZ PUMPFIX Pressure-free distributors.

# HERZ PUMPFIX

## Pressure-free distributor DN 25

Datasheet 1 4513 5X

 **Dimensions**

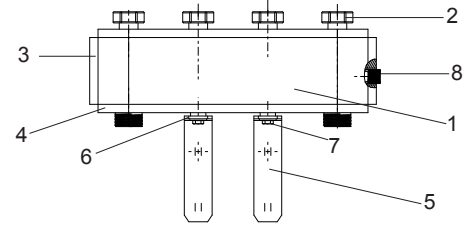


Order Nr.	DN	No of circuits	L [mm]	L1 [mm]	L2 [mm]	L3 [mm]	L4 [mm]	H [mm]	H1 [mm]	G* [in]	G1** [in]	G2* [in]
1 4513 57	25	2	515	150	125	375	125	372	201	1-1/4"	1-1/2"	1/2"
1 4513 58	25	3	765	150	375	625	125	372	201	1-1/4"	1-1/2"	1/2"
1 4513 59	25	4	1015	150	625	875	125	372	201	1-1/4"	1-1/2"	1/2"

\*internal thread (free turning nut)  
 \*\*external thread

### ☑ Components of HERZ PUMPFIX Pressure-free distributor

1. Distributor body
2. Nut G1 1-4"
3. Insulation cap
4. Side insulation
5. Mounting bracket
6. Washer
7. Screw M10
8. Connection for temperature sensor G1/2"



Brackets, wall inserts, wall screws, screws M10, washers and spacer gears for assembly of the pressure-free distributor are included in set.

### ☑ Material and construction

Nuts & fittings:	Cast iron
Flat sealing:	EPDM
Insulation:	EPP
Mounting brackets:	Galvanized steel
Housing:	Powder coated steel (black)

### ☑ Operating data

Max. operating temperature:	110 °C
Max. admissible pressure:	6 bar
Max flow:	3 m <sup>3</sup> /h
Heat capacity:	up to 70 kW

### ☑ Medium

Heating water quality according to ÖNORM H5195 or VDI- Standard 2035. The use of ethylene or propylene glycol in a mixing ratio 25- 50% is allowed. EPDM gaskets can be affected by mineral oil lubricants and thus lead to failure of the sealings. Please refer to manufacturers documentation when using ethylene glycol and propylene glycol products for freezing and corrosion protection.

# HERZ PUMPFIX

## Hydraulic separator DN 25

General information

---

### **Description of HERZ hydraulic separator**

HERZ PUMPFIX hydraulic separator is high quality product that is pressure tested during the manufacturing process under constant quality control. The hydraulic separator is designed so that is compatible with HERZ pumpfix distributor DN25.

### **Assembly**

It is recommended to connect the hydraulic separator and pump distributor DN25 using EPDM flat sealings. Alternatively, the temperature sensor can also be connected to the hydraulic separator where the G 1/2 "connector is located.

### **Application**

HERZ hydraulic separator is a compensation chamber that allows independent operation of individual heating circuits. We use them in cases where the primary circulation pumps affect one or more secondary circuits. This solves the problems related to the flows and pressures of individual circuits.

The hydraulic separator DN25 is installed horizontally direct under the PUMPFIX distributor DN25.

Furthermore, a PUMPFIX pump group DN32 can be mounted directly or a PUMPFIX pump group DN25 can be mounted with adapter 1 **4510** 51 on the hydraulic separator DN25.

### **Maintenance instructions**

When the hydraulic separator DN25 is mounted does not require any special maintenance. It is recommended that the switch remains in the original packaging until installation.

### **Disposal instructions**

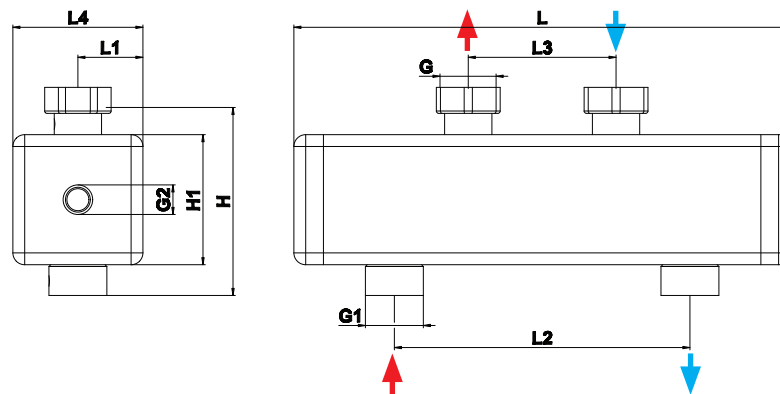
The disposal of the HERZ PUMPFIX hydraulic separators must not endanger health or environment. Users have to follow the national legal regulations for proper disposal of the HERZ PUMPFIX distributors.

# HERZ PUMPFIX

## Hydraulic separator DN 25

Datasheet 1 4513 53

### ☑ Dimensions



Order Nr.	DN	L [mm]	H [mm]	H1 [mm]	L1 [mm]	L2 [mm]	L3 [mm]	L4 [mm]	G* [in]	G1** [in]	G2*** [in]
1 4513 53	25	420	162	110	55	250	125	110	1-1/2	1-1/4	1/2

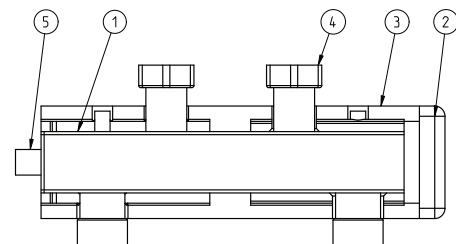
\*Internal thread (free turning nut)

\*\*external thread

\*\*\*Internal thread

### ☑ Components of HERZ PUMPFIX Hydraulic separator

1. Separator body
2. Insulation cap
3. Side cover
4. Nut
5. Connection for temperature sensor



### ☑ Material and construction

Fittings:	Cast iron EN-GJMW-400-5, DIN EN 1562
Flat sealing:	EPDM
Insulation:	EPP
Casing:	Powder coated steel (black)

### ☑ Operating data

Max. operating temperature:	110 °C
Max. admissible pressure:	4 bar
Max flow:	3 m <sup>3</sup> /h

### ☑ Medium

Heating water quality according to ÖNORM H5195 or VDI- Standard 2035. The use of ethylene or propylene glycol in a mixing ratio 25- 50% is allowed. EPDM gaskets can be affected by mineral oil lubricants and thus lead to failure of the sealings. Please refer to manufacturers documentation when using ethylene glycol and propylene glycol products for freezing and corrosion protection.

# HERZ PUMPFIX

## Hydraulic separator DN 32

General information

---

**Description of HERZ hydraulic separator**

HERZ PUMPFIX hydraulic separator is high quality product that is pressure tested during the manufacturing process under constant quality control.

**Assembly**

On the hydraulic separator is G1" external thread connection for air vent and two internal thread connections G1/2" for drain valve and sensor.

**Application**

HERZ hydraulic separator is a compensation chamber that allows independent operation of individual heating circuits. It is used in cases where the primary circulation pumps affect one or more secondary circuits. This solves the problems related to the flows and pressures of individual circuits. The hydraulic separator DN32 is installed vertically before the PUMPFIX distributor.

**Maintenance instructions**

When the hydraulic separator DN32 is mounted it does not require any special maintenance. It is recommended that the separator remains in the original packaging until installation.

**Disposal instructions**

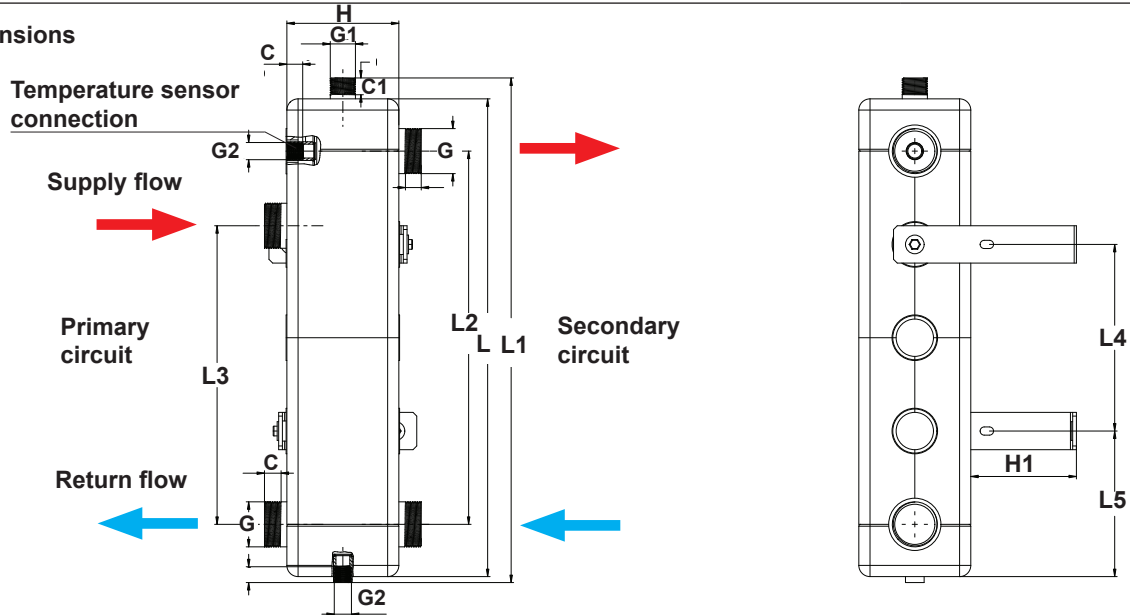
The disposal of the HERZ PUMPFIX hydraulic separator must not endanger health or environment. Users have to follow the national legal regulations for proper disposal of the HERZ PUMPFIX hydraulic separator.

# HERZ PUMPFIX

## Hydraulic separator DN 32

Datasheet 1 4513 54

**☑ Dimensions**



Order Nr.	DN	L [mm]	L1 [mm]	L2 [mm]	L3 [mm]	L4 [mm]	L5 [mm]	H [mm]	H1 [mm]	G** [in]	G1** [in]	G2* [in]	C [mm]	C1 [mm]
1 4513 54	32	640	680	500	400	250	195	150	141	2"	1"	1/2"	20	20,5

\*Internal thread  
\*\*external thread

**☑ Components of HERZ PUMPFIX Hydraulic separator**

1. Separator body
2. Insulation cap
3. Side cover
4. Mounting bracket
5. Mounting screw M10
6. Washer

Brackets, wall inserts, wall screws, mounting screws M10, washers and spacer gears for assembly of the separator on the wall are included in the set.

**☑ Material and construction**

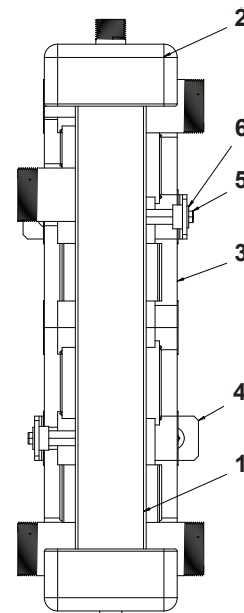
Housing	Powder coated steel (black)
Insulation	EPP
Flat sealing	EPDM
Mounting brackets	Galvanized steel

**☑ Operating data**

Max. operating temperature	110 °C
Max. admissible pressure	4 bar
Max flow	7 m <sup>3</sup> /h

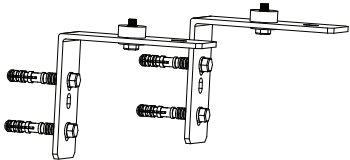
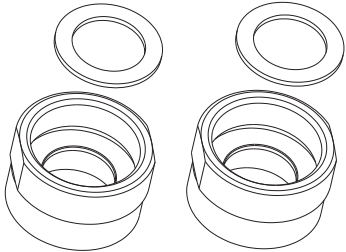


**☑ Medium**

Heating water quality according to ÖNORM H5195 or VDI- Standard 2035. The use of ethylene or propylene glycol in a mixing ratio 25- 50% is allowed. EPDM gaskets can be affected by mineral oil lubricants and thus lead to failure of the sealings. Please refer to manufacturers documentation when using ethylene glycol and propylene glycol products for freezing and corrosion protection.



# HERZ PUMPFIX

## Distributor accessories

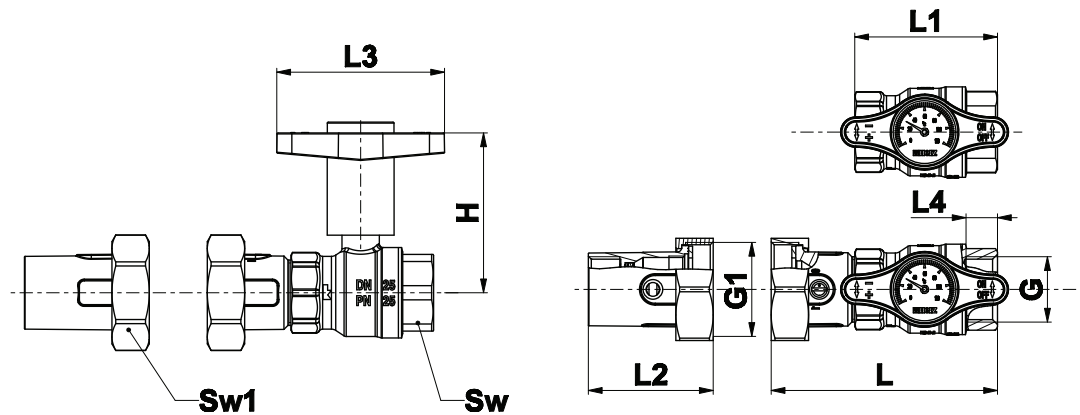
Illustration	Description	Item number
	<p style="text-align: center;"><b>Wall fixing set</b></p> <p>Set contains: 2 mounting brackets, 4 plastic plugs, 4 screws and 4 nuts for the assembly of the distributor on the wall. Set also contains two M12 nuts and two washers for assembly of the distributor on brackets.</p>	<p style="text-align: center;">DN25 1 <b>4513 93</b></p> <p style="text-align: center;">DN32 1 <b>4513 94</b></p>
	<p style="text-align: center;"><b>Adapter connection set</b></p> <p>Set allows mounting of pump group DN25 on distributor DN32 or on hydraulic separator DN25. Set contains two flat seals.</p> <p style="text-align: center;">Adapter: Material: turned brass acc. to EN12164 Upper internal thread: 1-1/4" acc. to ISO 228 Lower external thread: 1-1/2" acc. to ISO 228</p> <p style="text-align: center;">Flat seal: Material: EPDM</p>	<p style="text-align: center;">1 <b>4510 51</b></p>
	<p style="text-align: center;"><b>Flat seals set for PUMPFIX system DN25</b></p> <p>Set is equipped with two flat seals for sealing between distributor DN25 and pump group DN25</p> <p style="text-align: center;">Material: EPDM</p>	<p style="text-align: center;">1 <b>4510 52</b></p>
	<p style="text-align: center;"><b>Flat seals set for PUMPFIX system DN32</b></p> <p>Set is equipped with two flat seals for sealing between distributor DN32 and pump group DN32</p> <p style="text-align: center;">Material: EPDM</p>	<p style="text-align: center;">1 <b>4510 53</b></p>



# HERZ PUMPFIX EASY

Datasheet 1 4513 31

## ☑ Dimensions



Model	PN [bar]	DN	G* [in]	G1* [in]	L [mm]	L1 [mm]	L2 [mm]	L3 [mm]	L4 [mm]	H [mm]	Sw	Sw1
1 4513 31	25	25	G1	G1-1/2	115	73	64	85	16	87	39	52

\*Internal thread

## ☑ Material and construction

Ball valve body:	forged brass acc. to EN 12165
Connectors:	threads acc. to ISO 228
Ball:	forged brass acc. to EN 12165, hard chrome plated
Spindle:	turned brass acc. to EN 12164
Handle:	plastic (red, blue), PA66 GF30
Spindle seals:	PTFE
Ball seals:	PTFE
Gaskets:	EPDM

## ☑ Operating data

Operating pressure:	max. 25 bar
Operating temperature range:	-30 °C to 150 °C (water 0,5 °C - 110 °C, no steam)
Opening pressure check valve:	200 mm Vc
Propylene glycol mixing ratio:	25 - 50 %

## ☑ Medium

Heating water according ÖNORM H5195 or VDI- Standard 2035. The use of ethylene, or propylene glycol in a mixing ratio 25- 50% is allowed. EPDM gaskets can be affected by Mineral oils lubricants and thus lead to failure of the EPDM seals. Please refer to manufacturers documentation when using ethylene glycol products for frost and corrosion protection.

## ☑ Field of application

It is used as closing fitting in central heating and other installations and for fast connection of circulating pump through screw joint. Ball valve is only used in two basic positions: open, closed.

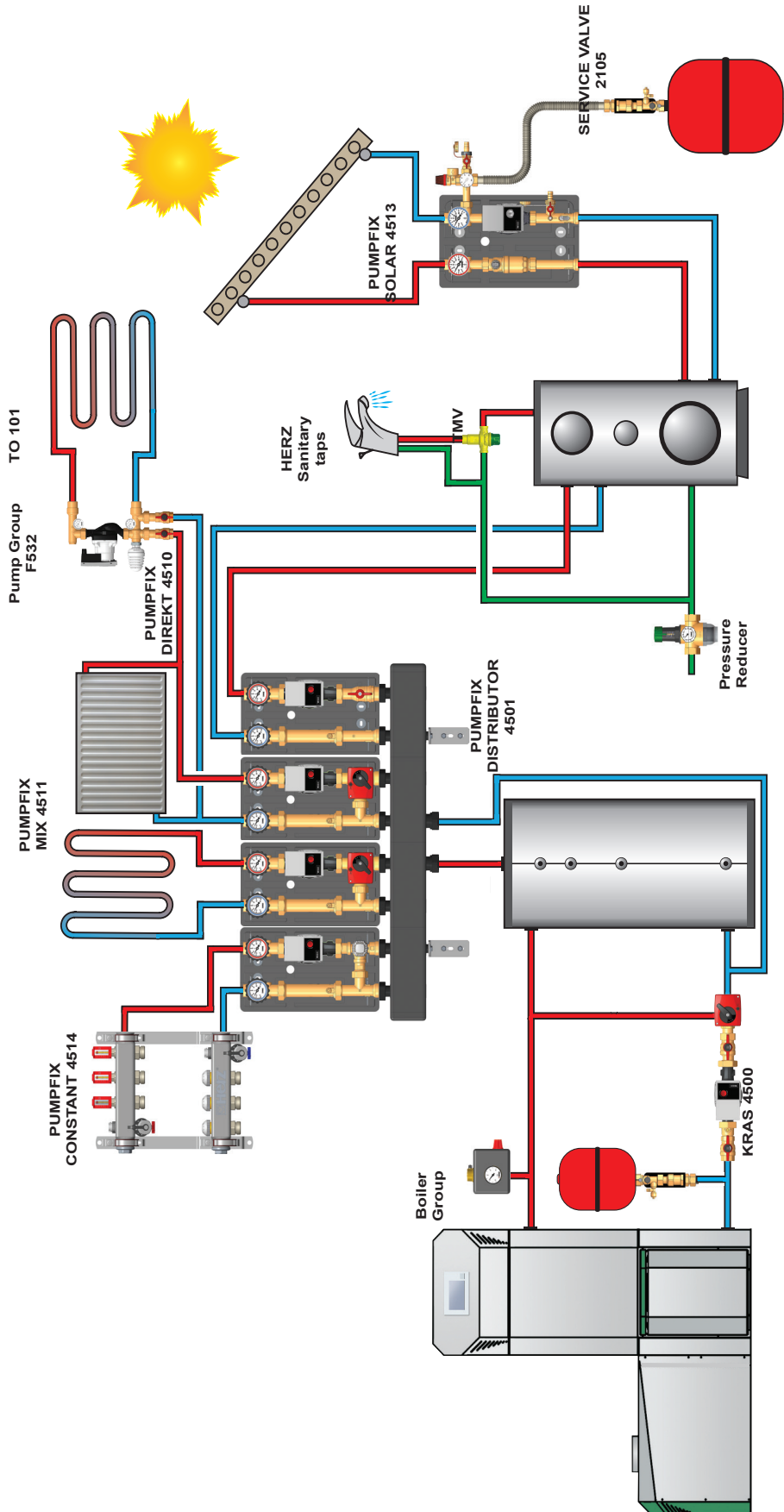
## ☑ Assembly instructions

Taking into account the direction of flow of the installation is possible horizontally or vertically, with the screening space should face down. HERZ recommends the use of standard thread sealants for the connection between drain valves and pipe. Ball valve is mounted in front of the central heating circulating pump. The circulation pump is mounted with screw joint G1-1/2" that is attached to the valve flange. When assembling, use suitable assembly tool that adapts to valve end connections.

## ☑ Maintenance instructions

According to EN 806-5 (point 6. Operation) ball valves should always be in their fully opened or closed position and actuated at regular intervals to ensure they remain operational. Therefore HERZ ball valves should be closed and opened periodically (at least twice a year, every 6 months). This prevents the ball valve from blocking, reduces sediment deposition and reduces the possibility of corrosion inside the valve.

☑ Example of system with HERZ products



**Please note:** All specifications and information within this document are reflecting the information available at the time of going to print and meant for informational purpose only. Herz Armaturen reserves the right to modify and change products as well as its technical specifications and/or its function according to technological progress and requirements. All diagrams are indicative in nature and do not to be complete. It is understood that all images of Herz products are symbolic representations and therefore may visually differ from the actual product. Colours may differ due to printing technology used. In case of any further questions don't hesitate to contact your closest HERZ Branch-Office.