

# HERZ Drain valves

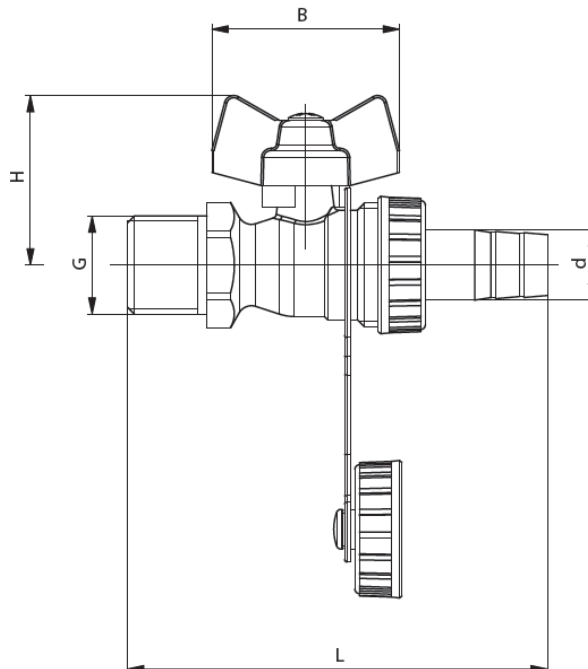
## Boiler fill and drain valves

Data sheets for 2512, 4119, Issue 0715

Dimensiones in mm



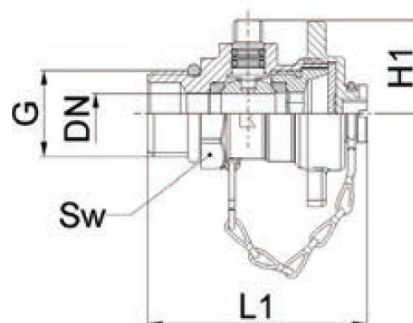
1 2512 0x



Order #	DN	G	PN	d	L	H	A	Sw
1 2512 01	15	1/2	10	15	83	37	40	24
1 2512 02	20	3/4	10	19	98	40	40	30



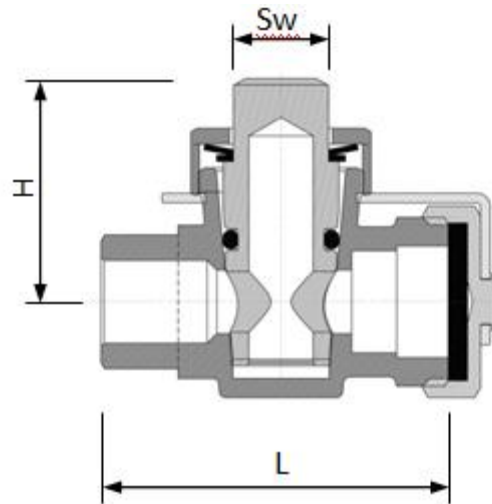
1 2512 11



Order #	DN	G	PN	L1	H1	Sw	Gew.	DN
1 2512 11	15	1/2	10	53	23	24	0,12	15



1 4119 0x



Order #	DN	G	PN	L	H	Sw	Gew.
1 4119 00	10	3/8	10	52	35	12	0,21
1 4119 01	15	1/2	10	54	38	12	0,22
1 4119 02	20	3/4	10	65	41	12	0,36

#### ☑ Materials

Body	<b>2512</b> forged brass CW617N
	<b>4119</b> brass CW614N
Ball	<b>2512</b> forged brass CW617N, full bore, Surface chrome plated
Cock	<b>4119</b> brass CW614N
Spindle	<b>2512</b> brass CW614N
Locking bolt	<b>2512</b> Aluminium red painted
Sealings	<b>2512</b> Ball: PTFE, Spindle: PTFE
	<b>4119</b> Grease Nontrop ZB91

#### ☑ Technical data

max. operating pressure: PN10  
 max. operating temperature: - 30°C to 110°C  
 Heating water according ÖNORM H5195 or VDI- Standard 2035.  
 The use of ethylene, or propylene glycol in a mixing ratio 25- 50% is allowed.

#### ☑ Application

The drain valves are installed as valves to fill and drain systems. Fields of application are building services, such as in heating or chilled water plant in buildings. Aromatic chlorinated hydrocarbons such as natural gas or petroleum occurring in, destroy the EPDM seals.

**☑ Actuation**

- |           |  |
|-----------|--|
| 1 2512 0x | Turn the locking bolt to open or close the drain valve |
| 1 2512 11 | The cap is using for actuation.                        |
| 1 4119 0x | Open or ring wrench SW12 or square box wrench SW12     |

**☑ Installation and maintenance**

HERZ recommends the use of standard thread sealants for the connection between the drain valves and pipe.

The drain valve should always be fully opened or closed, not used in intermediate positions. The drain valves do not require any special maintenance. At least twice a year, the drain valves should be operated.

**☑ Accessoires**

- |   |           |
|---|-----------|
| Hose connection with union nut for DN10 | 1 6206 00 |
| Hose connection with union nut for DN15 | 1 6206 01 |
| Hose connection with union nut for DN20 | 1 6206 02 |

The hose connection is to order separatly.

All specifications and statements within this document are according to information available at the time of printing and meant for informational purpose only. Herz Armaturen reserves the right to modify and change products as well as its technical specifications and/or it functioning according to technological progress and requirements. It is understood that all images of Herz products are symbolic representations and therefore may visually differ from the actual product. Colours may differ due to printing technology used. In case of any further questions don't hesitate to contact your closest HERZ Branch-office.