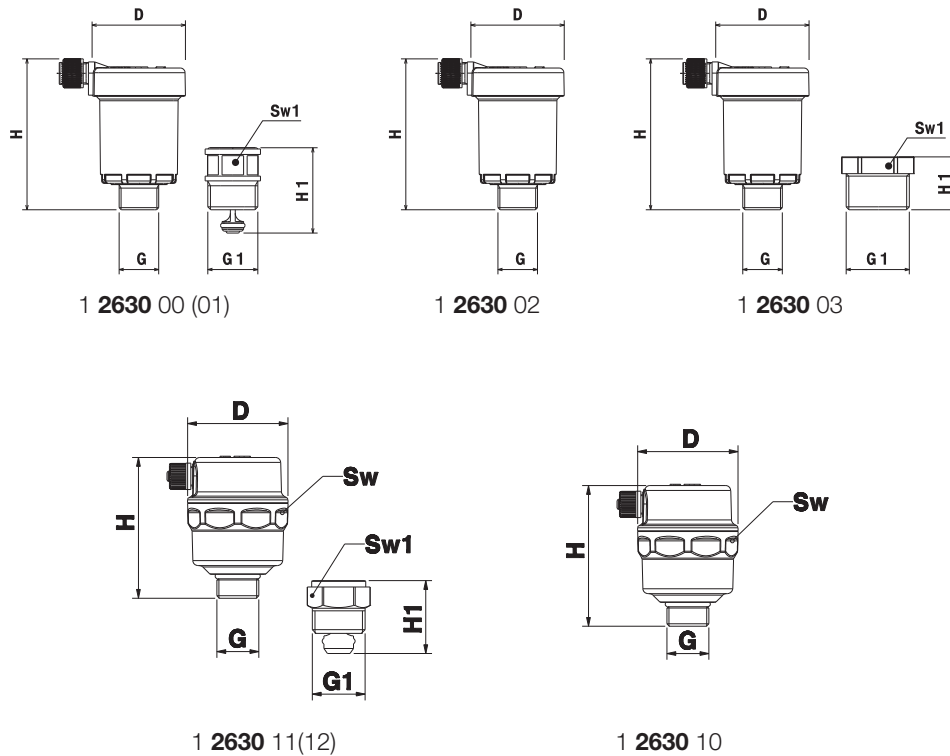


HERZ - Air vent

Data sheet **1 2630 XX**, Issue 1016

☑ Dimensions



Order Nr.	D [mm]	G [in]	G1 [in]	H [mm]	H1 [mm]	Sw1 [mm]	Weight [mm]	Cover cap colour	“STOP” function	Stop valve
1 2630 00	39	3/8"	3/8"	63	35	19	0,153	Black	No	Yes
1 2630 01	39	3/8"	1/2"	63	35	19	0,160	Black	No	Yes
1 2630 02	39	3/8"	/	63	/	/	0,122	Black	No	No
1 2630 03	39	3/8"	3/4"	63	22	27	0,185	Black	No	No
1 2630 10	40	3/8"	/	56	/	/	0,188	Red	Yes	No
1 2630 11	40	3/8"	3/8"	56	30	22	0,226	Red	Yes	Yes
1 2630 12	40	3/8"	1/2"	56	26	22	0,220	Red	Yes	Yes

☑ Material and construction

Housing:	forged brass acc. to EN 12165, CW617N
Lid:	forged brass acc. to EN 12165, CW617N
Sealing:	NBR (1 2630 0X) EPDM (1 2630 1X)
Cover cap:	polypropylene, black colour (1 2630 0X) ABS plastic, red colour (1 2630 1X)
Float ball:	polypropylene
Backflow preventer housing: (1 2630 00 (01), 1 2630 11 (XX))	machined brass acc. to EN 12165, CW617N
Adapter housing: (1 2630 03)	machined brass acc. to EN 12165, CW617N
External threaded connectors:	acc. to ISO 228

☑ Operating Data

Max. structural pressure:	12 bar (1 2630 0X) 10 bar (1 2630 1X)
Max. operating pressure:	8 bar (1 2630 0X) 10 bar (1 2630 1X)
Min. operating temperature:	0°C
Max. operating temperature:	110°C (no steam)

Medium:

Heating water quality according to ÖNORM H5195 or VDI-Standard 2035. The use of ethylene or propylene glycol in a mixing ratio 25-50% is allowed. Please refer to manufacturers documentation when using ethylene glycol products for frost and corrosion protection. The HERZ air vent is not suitable for usage of aggressive medium (such as: acids, alkalis, combustible and explosive gases..) because it can damage the sealing components.

☑ Field of application

HERZ - Air vent is used for venting of the central heating installations. The air vent should be placed nearby the boiler or at the highest points of installation. Installations must be carried out in such a way that the retention of air bubbles in a certain part of installation is not possible. Before usage, unscrew the polypropylene cover cap on the lid for 2 to 3 turns. In case of uncontrolled medium leakage, tighten the cover cap. The air vent must be cleaned or replaced. We always recommend to use backflow preventer for easy service and replacement of the air vent. The air vents 1 **2630** 1X have a STOP function that prevents the entry of ambient air into the central heating installation.

☑ Brass

HERZ use top-quality brass that responds to the latest European norms DIN EN 12164 and DIN EN 12165 the body of the air vent is made from brass due to its good strength and variety of other properties.

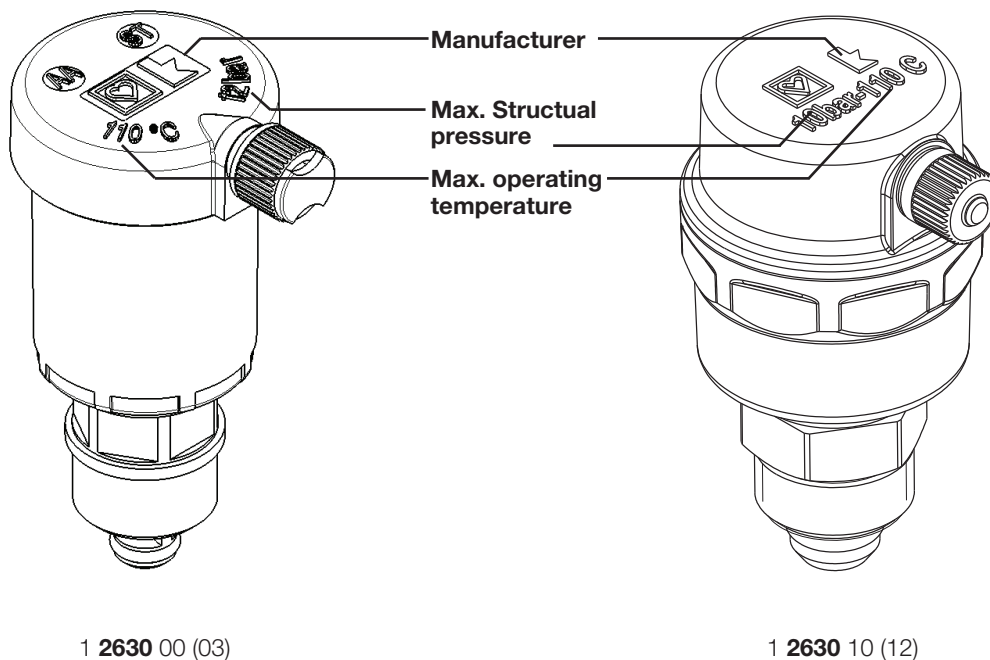
☑ Maintenance instruction

Clean the HERZ - air vent by unscrewing it from the backflow preventer and turn it upside down. Loosen the PVC cover cap. Check and clean the sealing surface. The most common cause of leakage is the deposit of dirt on the sealing surface (between the seal and the threaded insert).

☑ Disposal instruction

The disposal of HERZ air vent must not endanger the health or the environment. National legal regulations for proper disposal of the HERZ ball valves for heating and chilled water have to be followed.

☑ Labels on HERZ - air vent



Please note: All specifications and information within this document are reflecting the information available at the time of going to print and meant for informational purpose only. Herz Armaturen reserves the right to modify and change products as well as its technical specifications and/or its function according to technological progress and requirements. All diagrams are indicative in nature and do not to be complete. It is understood that all images of Herz products are symbolic representations and therefore may visually differ from the actual product. Colours may differ due to printing technology used. In case of any further questions don't hesitate to contact your closest HERZ Branch-Office.