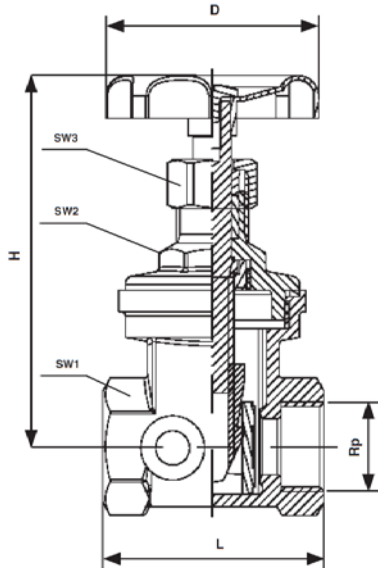


# HERZ-Gate Valve

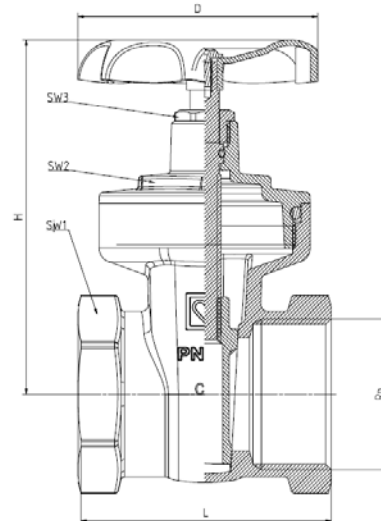
## wedge- and double disc versions

Data sheet for 4112 / 4113, Issue 0716

### ☑ Dimension in mm



4112



4113

### ☑ Model

4112 0x is manufactured without draining function and 4112 1x with two plugged tappings for draining.

Order number		DN	Rp	SW1	SW2	SW3	D	H	L
1 4112 01		15	1/2	28	22	19	50	87	52
1 4112 02	1 4112 12	20	3/4	34	27	19	60	96	59
1 4112 03	1 4112 13	25	1	41	30	22	60	104	68
1 4112 04	1 4112 14	32	5/4	50	30	25	80	126	70
1 4112 05	1 4112 15	40	6/4	57	32	25	80	138	75
1 4112 06	1 4112 16	50	2	68	32	30	87	167	80
1 4112 07	1 4112 17	65	2 1/2	85	42	38	160	232	103
1 4112 08	1 4112 18	80	3	100	55	38	160	234	112

4113 1x according to EN12288.

Order number	DN	Rp	SW1	SW2	SW3	D	H	L
1 4113 11	15	1/2	27	21	15	50	71,6	49,4
1 4113 12	20	3/4	32	21	15	50	73,8	52,4
1 4113 13	25	1	39	26	15	60	84,3	61
1 4113 14	32	5/4	49	37	15	60	94	69,6
1 4113 15	40	6/4	55	41	21	80	115	74
1 4113 16	50	2	68	41	25	105	142,5	89

**Material****4112**

Body:	CW 617N
Upper part:	CW 617N
Handwheel:	sheet steel, coated
Sealing:	Graphite

**4113**

Body:	DZR (CW 602N)
Upper part:	DZR (CW 602N)
Handwheel:	sheet steel, coated
Sealing:	EPDM

**Technical data****4112**

Max. operating pressure:	10 bar
Max. operating temperature:	130°C up to DN 32 110°C from DN 40
Connection thread:	ISO 7-1 Rp

**4113**

Max. operating pressure:	20 bar
Max. operating temperature:	120°C
Connection thread:	ISO 7-1 Rp

Heating water quality according to ÖNORM H5195 or VDI-Standard 2035. The use of ethylene or propylene glycol in a mixing ratio 25- 50% is allowed.

**Field of application****4112**

For all nonaggressive fluids for domestic, commercial and industrial applications. Suitable for hot and cold water.

The Model **4112** 1x has two tappings for draining function, one of them is closed by a screw plug.

DN 20 - DN 50	tapping for draining function 1/4
DN 65 - DN 80	tapping for draining function 3/8

Drain valves have to be ordered separately.

**4113**

For all nonaggressive fluids for domestic, commercial and industrial applications. Suitable for hot and cold water.

**Accessoires**

<b>0273</b>	Hexagon socket screw sealing plug
<b>0276</b>	Drain valve with hose connection

**Sealing surfaces**

Sealing takes place by means of pressing the valve discs without sliding onto the seat. The fine worked seal precision surface of the valve discs guarantees denseness for the carried flow quantity, also when dirt particles have been deposited on the surfaces of the gate valve discs.

**Model 1 4112 xx****Packing gland**

The long-lasting elastic packing made of special Teflon with outstanding characteristics guarantees certain positive sealing. The spindle stays smooth even if there is a strong compression.

 **Model 1 4113 xx**

**O-ring sealing**

The O-ring sealing guarantees certain positive sealing. A very smooth operation of the spindle can be ensured. EPDM gaskets can be affected by mineral oil lubricants and thus lead to failure of the seals.

All specifications and information within this document are reflecting the information available at the time of going to print and meant for informational purpose only. Herz Armaturen reserves the right to modify and change products as well as its technical specifications and/or its function according to technological progress and requirements. All diagrams are indicative in nature and do not to be complete. It is understood that all images of Herz products are symbolic representations and therefore may visually differ from the actual product. Colours may differ due to printing technology used. In case of any further questions don't hesitate to contact your closest HERZ Branch-Office.