

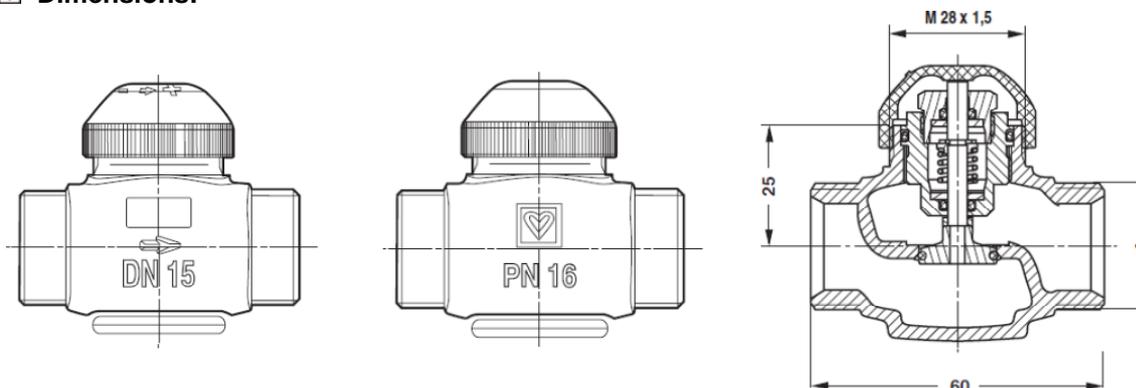
HERZ- Control valve

with reverse function

Thermostatic valve for chilled systems

Data sheet for 7760 RD, Issue 0515

☑ Dimensions:



| Order # | Name | DN | A | P-Band (K) | 1 | 2 | 3 | open |
|-----------|---------------|----|--------|------------|------|------|------|------|
| 1 7760 51 | Control valve | 15 | G 3/4" | Kv value | 0,38 | 0,77 | 1,06 | 2,81 |
| 1 7760 52 | Control valve | 20 | G 1" | Kv value | 0,42 | 0,81 | 1,11 | 3,21 |

☑ Technical data:

max. operating temperature: 120°C
 min. operating temperature: -20°C
 max. operating pressure: 16 bar
 max. differential pressure: 1,6 bar
 Water quality according ÖNORM H 5195 or VDI- guideline 2035
 Ethylene- and propylene glycol can be mixed to a ratio of 25- 50 Vol. (%)

☑ Applications:

Thermostatic valve with reverse function for temperature controlling with thermostatic heads or electronic actuators in chilled water systems. Increasing temperature with a thermostatic head the valve is opened by the operation and increases the flow. Please note the flow direction corresponding to the arrows on the body.

☑ Materials:

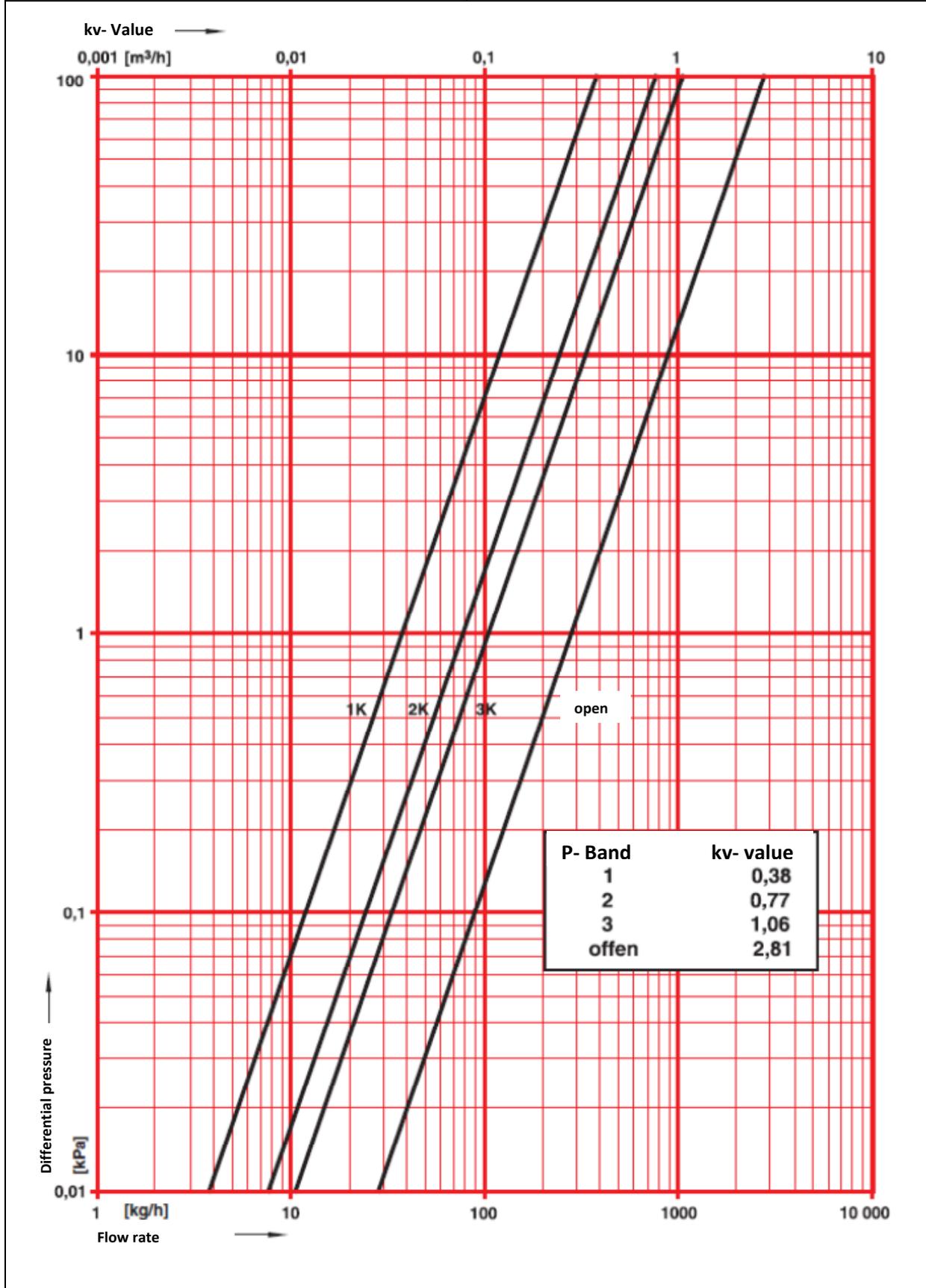
Body: Brass nickel plated
 Spindle: Stainless steel
 Sealings: EPDM
 Connections: Outside threads with cone to connect with compression units
 Actuating Thread M28x1,5

☑ Connections:

Copper and soft steel pipes can be connected with compression unions **6274**, **6276** (G 3/4") and **6273** (G 1"). Plastic pipes can be connected with compression unions **6098** (G 3/4") and **6198** (G 1").

All specifications and statements within this brochure are according to information available at the time of printing and meant for informational purpose only. Herz Armaturen reserves the right to modify and change products as well as its technical specifications and/or its functioning according to technological progress and requirements. It is understood that all images of Herz products are symbolic representations and therefore may visually differ from the actual product. Colours may differ due to printing technology used. In case of any further questions don't hesitate to contact your closest HERZ Branch-office.

| | |
|------------------------|-----------------------------|
| HERZ- Standard diagram | HERZ- Thermostatic valve RD |
| Art. Nr.: 1 7760 51 | Dim. DN 15 |



| | |
|------------------------|-----------------------------|
| HERZ- Standard diagram | HERZ- Thermostatic valve RD |
| Art. Nr.: 1 7760 52 | Dim. DN 20 |

