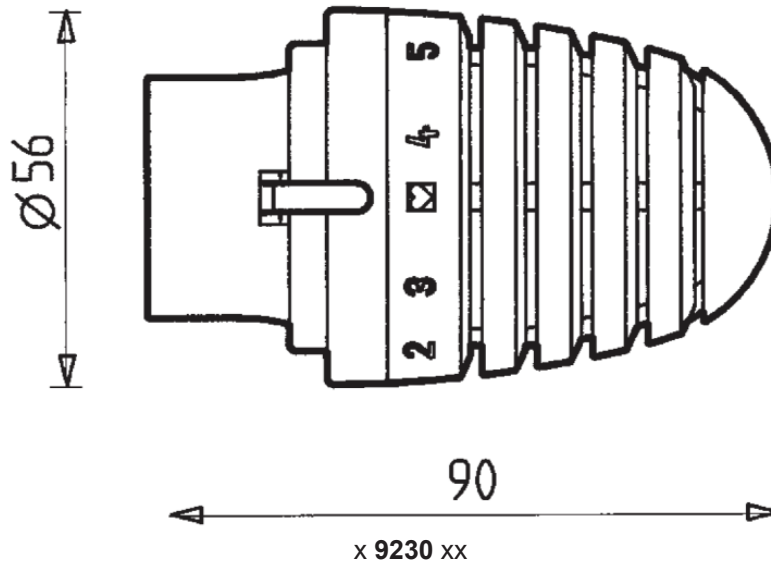


# HERZ Thermostats „DE LUXE“

Data sheet for **9230 DL**, Issue 1022

## ☑ Dimensions in mm



## ☑ Valve series „DE LUXE“

This series includes HERZ-radiator thermostats, HERZ-TS-90-thermostatic valves and HERZ return valves. All components have a smooth special surface coat.

Separate data sheets are available for HERZ “DE LUXE” thermostatic valves and return valves.

## ☑ Thermostatic heads „DE LUXE“

With hydrosensor (liquid filled), “0” position, frost safety limit temperature adjustable; cover- and securing rings.

Article number	Colors
1 9230 41	chrome
1 9230 44	white (RAL 9010)
1 9230 49	matt black
	<b>Sanitary Colours</b>
S 9230 01	Pergamum
S 9230 02	Aegean
S 9230 03	Manhattan
S 9230 04	Edelweiss
S 9230 05	Calypso
S 9230 06	Bahama Beige
S 9230 07	Greenwich
S 9230 08	Jasmine
S 9230 09	Natural
S 9230 10	Ultramarine Blue (RAL 5002)
S 9230 11	Flame Red (RAL 3000)
S 9230 12	Ruby Red (RAL 3003)
S 9230 13	Signal blue (RAL 5005)
S 9230 14	Golden Yellow (RAL 1004)
S 9230 15	Light Ivory (RAL 1015)

Special colours, combinations of colours, and alternative metal coatings are possible upon enquiry.

### Technical data

HERZ thermostatic heads are maintenance-free.

Set value range: 0 - 30 °C

Frost safety limit temperature: ~ 8 °C

### Function

The HERZ-thermostat serves as a sensor and control element. The change in volume of the liquid contained in the HERZ-hydrosensor actuates the valve spindle.

The desired comfort temperature is selected by turning the hand wheel, and is kept constant by automatic opening and closing of the radiator valve.

When turning the thermostatic head anticlockwise the room temperature will rise, when turning it clockwise the temperature will go down.

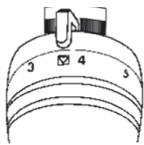
### Setting options, hand wheel scale, and maximum position

By setting the scale marks opposite the pointer it is possible to achieve approximately the following temperatures in the room. Deviations of a few degrees of temperature (K) are possible according to the mode of installation and the design of the heating system.

Mark	*	1	2	3	<input checked="" type="checkbox"/>	4	5	6
°C	~ 8	~ 10	~ 13	~ 17,5	~ 20	~ 22	~ 25	~ 28

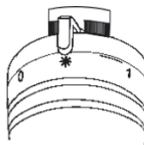
Turn thermostat anticlockwise up to the maximum position (pre-set by the manufacturer), corresponds to approx. 30 °C.

### Comfort point



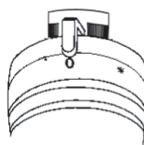
Position  corresponds to a room temperature of approx. 20 °C and represents optimum comfort, energy savings and heating comfort.

### Frost Release \*



In the „\*“ position, the valve opens automatically at an ambient temperature of approx. 8 °C, thus preventing the system from freezing up.

### "0" position



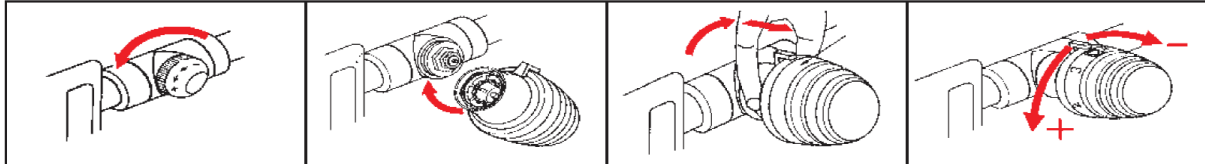
In the „0“ position, the thermostatic valve will remain closed down to approx. 0 °C. This is not a mechanical shut-off of the thermostatic valve; „\*“ must be set to ensure frost protection.

### Summer Position

After the end of the heating period, open thermostats completely by turning anticlockwise to prevent the formation of dirt deposits at the valve seat.

### ☑ Installation

1. Remove screw cap from the thermostatic valve.
2. Place thermostatic head in completely open position (as delivered) on the valve lower part in such a way that the anti-twist lock engages and the pointer is clearly visible.
3. Slide cover sleeve and fastening nut towards the front, and fasten sleeve and fastening nut manually by turning clockwise.
4. Pull the cover sleeve back again.
5. Test for proper functioning by turning the hand wheel. After the end of the heating period, fully open the thermostat by turning it anti-clockwise to prevent dirt particles from sticking to the valve seat.



### ☑ Important for Installation

The HERZ-thermostat should not be covered (e.g. by heavy curtains or panelling). Furthermore, it must be ensured that the functioning of the thermostat element is not affected by any equipment emitting a relevant quantity of heat (e.g. TV sets). Perfect room temperature control will be possible only when the thermostat is in a position to sense the actual room temperature.

After the end of the heating period, fully open the thermostat by turning it anti-clockwise to prevent dirt particles from sticking to the valve seat.

### ☑ Cleaning

HERZ "DE LUXE" thermostatic valves have a special surface coating. For cleaning use soft cloth or similar materials. Under no circumstances use any sharp-edged objects, abrasive detergents, household detergents, or chemical cleaning agents.

### ☑ Disposal

The disposal of HERZ thermostatic head must not endanger the health or the environment. Local and currently valid legislation must be observed for disposal.

### ☑ Brass

Pursuant to Article 33 of the REACH Regulation (EC No. 1907/2006), we are obliged to point out that the material lead is listed on the SVHC list and that all brass components manufactured in our products exceed 0.1% (w / w) lead (CAS: 7439-92-1 / EINECS: 231-100-4). Since lead is a component part of an alloy, actual exposure is not possible and therefore no additional information on safe use is necessary.

Please note: All specifications and information within this document are reflecting the information available at the time of going to print and meant for informational purpose only. Herz Armaturen reserves the right to modify and change products as well as its technical specifications and/or its function according to technological progress and requirements. All diagrams are indicative in nature and do not to be complete. It is understood that all images of Herz products are symbolic representations and therefore may visually differ from the actual product. Colours may differ due to printing technology used. In case of any further questions don't hesitate to contact your closest HERZ Branch-Office.