

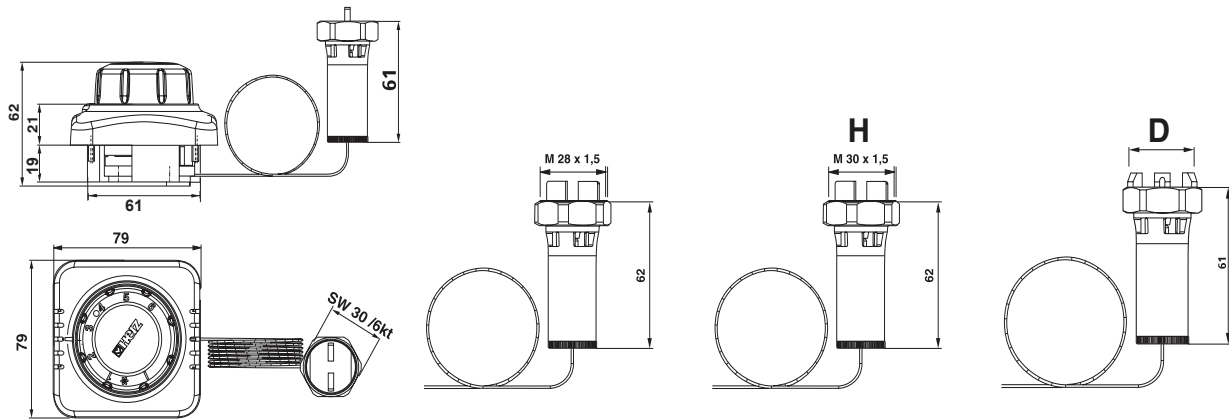
HERZ THERMOSTAT UNI

Thermostatic heads with remote adjustment

Data sheet for HERZ Thermostat UNI, issue 0622

Thermostat with remote adjustment

Flush mounting 9352 - 9358



Model

HERZ Thermostat with remote adjustment for flush mounting

for the assembly in flush boxes (depth - 19 mm, diameter - 61 mm, screw spacing in the base plate 54x54 / 58.5x58.5), for HERZ thermostatic valves with a threaded connection of your choice, thermostat with liquid sensor (hydrosensor), capillary tube and valve attachment piece, setpoint range 6-28 °C, limitation and blocking of the setpoint range not possible. Frost protection at approx. 9 °C, capillary tube length see table.

| Model | M 28 x 1,5 | H M 30 x 1,5 | D |
|--------------------|------------|--------------|-----------|
| Capillary pipe 2 m | 1 9352 00 | 1 9352 98 | 1 9352 99 |
| Capillary pipe 5 m | 1 9355 00 | 1 9355 98 | 1 9355 99 |
| Capillary pipe 8 m | 1 9358 00 | 1 9358 98 | 1 9358 99 |

Possible risks

The capillary pipe contains ethyl acetate. If the pipe is damaged the ethyl acetate may be exposed and cause irritation of airways. In case of skin contact, rinse with water and soap, in case of eye contact rinse with water, and if the ethyl acetate is swallowed it is necessary to force vomiting. Please immediately contact a doctor.

CAS-Nr. description: 141-78-6 ethyl acetate
 Identification number: EINECS-Number: 205-500-4
 Index-Number: 607-022-00-5

Special information about possible risks for human beings and the environment:

- R 11 Highly inflammable
- R 36 Eye irritation
- R 66 Repetitive contact may lead to dry or chapped skin
- R 67 Vaporization may lead to sleepiness and dazed state



- S 2 Keep out of the reach of children.
- S 16 Keep away from sources of ignition - No smoking.
- S 26 In case of contact with eyes, rinse immediately with water and seek medical advice.
- S 33 Take measures against electrostatic charging

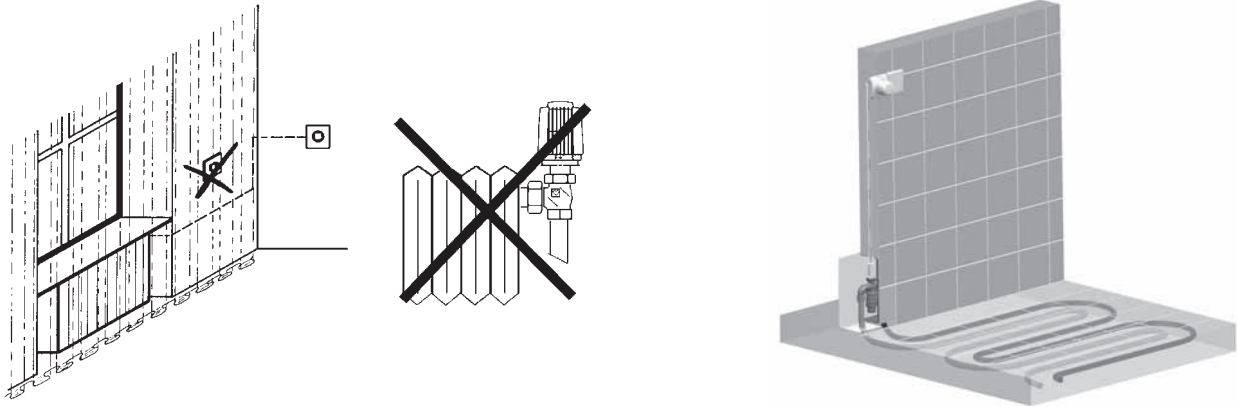
Operational data

Set value range 6-28 °C
 Frost release 9 °C
 Safety excess temperature for storage up to 60 °C.
 During dispatch the system is secured by a prestressed spring against excess temperature up to 60 °C.
 The HERZ thermostat is maintenance-free.

Application

For installation on all valves for thermostatic operation.

The HERZ thermostat with remote control is used where the radiator cannot be accessed due to panelling or when the thermostatic head cannot be mounted in horizontal position. The HERZ thermostat with remote adjustment is especially suitable in conjunction with HERZ Floor-fix.



Combination with HERZ "Floor-fix" 1 8100 10

Article numbers, dimensions and delivery standards of the HERZ valves are specified in the product data sheets.

Function

The HERZ thermostat senses and controls the room temperature. The unit is wall mounted and should be fixed in a position where it is easily accessible and in the general air flow. The signal is passed down the capillary to control the valve, and so the temperature. The unit is protected by an overload spring for transit temperatures of up to 60 deg C.

Setting options

By setting the scale marks opposite the pointer it is possible to achieve approximately the following temperatures in the room. Deviations of a few degrees of temperature (K) are possible according to the mode of installation and the design of the heating system.

Turn anti-clockwise to the stop (factory setting) scale marking 6 corresponds to approx. 28 °C.

| Mark | I | * | 1 | 2 | 3 | ● | 4 | 5 | 6 |
|------|-----|-----|------|--------|------|------|------|--------|------|
| °C | ~ 6 | ~ 9 | ~ 11 | ~ 14,5 | ~ 18 | ~ 20 | ~ 21 | ~ 24,5 | ~ 28 |

Comfort setting „●“

The comfort setting „●“ corresponds to a approximate room temperature of 20 °C which guarantees maximum comfort, energy saving and heating comfort.

Frost release „*“

In position „*“ the valves opens independently when an ambient temperature of approx. 9 °C is reached. This function prevents the system from freezing.

„I“ position

In the „I“ position the thermostatic valve will remain closed up to approx. 6 °C. „*“ must be set to ensure frost protection.

Summer setting

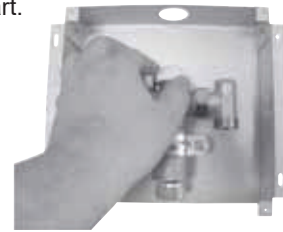
At the end of the heating period, completely open the thermostats by anti-clockwise rotation to prevent dirt particles from penetration on valve seat.

Accessories

1 6807 90 HERZ-TS-90 Assembly key

☑ Installation

1. Unscrew the screw cap or hand wheel from the thermostatic valve lower part.



2. In the case of flush installation, the valve attachment must be dismantled by pushing back the union nut, unscrewing the plastic nut and carefully pulling the bellows out of the plastic sleeve. Metal and plastic nuts are removed and the capillary tube is pulled into the flush-mounted tube, inside diameter 18 mm.



Assemble the valve attachment, place it on the valve body and tighten the union nut by hand.

Image 1



Image 2



Image 3

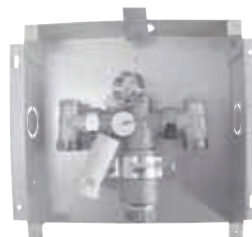


Image 4

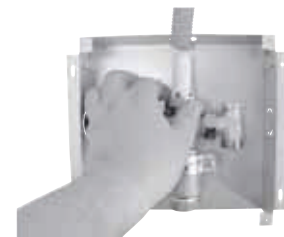


Image 5

3. Tighten the union nut with the assembly key 1 **6807** 90 SW 30 by hand about 1/4 turn.

Illustration: completely assembled valve top piece



4. Assemble the thermostatic element on the wall with the enclosed fastening material, taking into account the available capillary tube length, so that the arrow on the base plate points upwards.



5. The capillary tube must not be kinked or damaged during assembly, otherwise the function will be impaired. The pipe must not be assembled on or close to heating pipes, radiators or other heat sources. It should be noted that the feel and adjustment part on the wall is not covered by curtains or other coverings. An excess length of the capillary tube is rolled up.

6. Snap on the cover cap, whereby the indicator lug must point upwards in line with the arrow on the base plate. Check functionality by turning the handwheel.

Suitable for

| M 28 x 1,5 | M 30 x 1,5 | D |
|---|--|---|
| HERZ Floor-fix Thermostatic valve TS-90 Thermostatic valve TS-90-V Thermostatic valve TS-90-kV Thermostatic valve TS-98-V Thermostatic valve TS-FV Thermostatic valve TS-E Thermostatic valve TS-90-E Screwed valve for radiators with integrated valve and external thread M 28 x 1,5. | TS-90-H TS-98-VH Screwed adapter for radiator with integrated valve 1 3295 xx Screwed adapter for radiator with integrated valve and external thread M 30 x 1,5. | Screwed adapter for radiators with integrated valves with snap-on fastening |

Disposal

The disposal of HERZ thermostatic head must not endanger the health or the environment. Local and currently valid legislation must be observed for disposal.

Brass

Pursuant to Article 33 of the REACH Regulation (EC No. 1907/2006), we are obliged to point out that the material lead is listed on the SVHC list and that all brass components manufactured in our products exceed 0.1% (w / w) lead (CAS: 7439-92-1 / EINECS: 231-100-4). Since lead is a component part of an alloy, actual exposure is not possible and therefore no additional information on safe use is necessary.

Please note: All specifications and information within this document are reflecting the information available at the time of going to print and meant for informational purpose only. Herz Armaturen reserves the right to modify and change products as well as its technical specifications and/or its function according to technological progress and requirements. All diagrams are indicative in nature and do not to be complete. It is understood that all images of Herz products are symbolic representations and therefore may visually differ from the actual product. Colours may differ due to printing technology used. In case of any further questions don't hesitate to contact your closest HERZ Branch-Office.