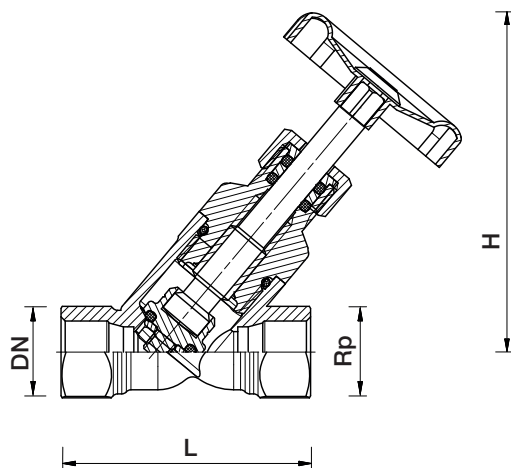


HERZ STRÖMAX A

Inclined Shut-off Valve With Rising Spindle

Data sheet for 1 4115 XX, Issue 0123

☑ Dimensions in mm



Order number	DN	L	H _{open}	Rp	Draining
1 4115 00	10	60	85	3/8	No
1 4115 01	15	65	90	1/2	No
1 4115 02	20	75	115	3/4	No
1 4115 03	25	90	130	1	No
1 4115 04	32	110	156	1 ¼	No
1 4115 05	40	120	175	1 ½	No
1 4115 06	50	150	215	2	No
1 4115 07	65	180	297	2 ½	No
1 4115 08	80	210	325	3	No
1 4115 11	15	65	90	1/2	Yes
1 4115 12	20	75	115	3/4	Yes
1 4115 13	25	90	130	1	Yes
1 4115 14	32	110	156	1 ¼	Yes
1 4115 15	40	120	175	1 ½	Yes
1 4115 16	50	150	215	2	Yes
1 4115 17	65	180	297	2 ½	Yes
1 4115 18	80	210	325	3	Yes

☑ Model

1 4115 0x

Shut-off valve inclined brass model with rising spindle, both sides are with female thread. Upper part is sealed by O-Ring in the housing. Spindle sealing with double O-ring. Red hand wheel.

1 4115 1x

As before, but with two bore holes for draining fittings, one screw plug 1 0273 0x is mounted.

☑ Field of application

Reliable shutting of pipes in heating and cooling systems.

☑ Technical data

Max. operation temperature:	110°C
Max. operation pressure:	20 bar
Max. differential pressure of the closed seat:	10 bar

Heating water quality according to ÖNORM H5195 or VDI-Standard 2035. The use of ethylene or propylene glycol in a mixing ratio 25- 50% is allowed. EPDM gaskets can be affected by mineral oils lubricants and thus lead to failure of the EPDM seals. Please refer to manufacturer's documentation when using ethylene glycol products for frost and corrosion protection.

☑ Materials

Body:	casted DZR brass
Upper part:	DZR brass
Cone:	DZR brass
Spindle:	brass
Sealing:	EPDM
Hand wheel:	sheet steel

☑ Construction

Handwheel closed clockwise

Flow direction

The direction of flow must be observed in accordance with the arrow on the housing.

Mounting position

There is no special tools required. Every mounting position possible, but it should be paid attention to enough space for the rising spindle.

☑ Draining

DN 15 – DN 50:	2 bore holes for draining 1/4
DN 65 – DN 80:	2 bore holes for draining 3/8
1 0276 0x	Drain Valve with handle and swivel hose connection, brass version. Hose connection 1 6206 01 have to be ordered separately.



1 0276 0x

☑ Further models

1 4125 6x	DN 15-80	STRÖMAX-D , shut-off valves with non-rising spindle
1 4125 7x	DN 15-80	STRÖMAX-AD , shut-off valves with non-rising spindle, with two bore holes for draining fittings

☑ Spare parts and accessories

1 0276 09	1/4	Drain valve with swivel hose connection G 3/4,
1 0276 00	3/8	Drain valve with swivel hose connection G 3/4,
1 0273 09	1/4	Screw plug, brass version, with O-Ring seal and hexagon socket screw
1 0273 00	3/8	Screw plug, brass version, with O-Ring seal and hexagon socket screw.
1 6206 00	3/8	Hose Connection, brass version, nut and hose sleeve.
1 6206 01	1/2	Hose Connection, brass version, nut and hose sleeve.
1 6206 02	3/4	Hose Connection, brass version, nut and hose sleeve.
1 6385 50	DN 10-15	Upper part, with O-ring seal between cap and body, rising spindle from year 2004
1 6385 52	DN 20	Upper part, with O-ring seal between cap and body, rising spindle from year 2004
1 6385 53	DN 25	Upper part, with O-ring seal between cap and body, rising spindle from year 2004
1 6385 54	DN 32	Upper part, with O-ring seal between cap and body, rising spindle from year 2004
1 6385 55	DN 40	Upper part, with O-ring seal between cap and body, rising spindle from year 2004

1	6385 56	DN 50	Upper part, with O-ring seal between cap and body, rising spindle from year 2004
1	6385 57	DN 65	Upper part, with O-ring seal between cap and body, rising spindle from year 2004
1	6385 58	DN 80	Upper part, with O-ring seal between cap and body, rising spindle from year 2004
1	6385 00	DN 10	Upper part with klingerit seal between cap and body 1982- 2004
1	6385 00	DN 15	Upper part with klingerit seal between cap and body 1982- 2004
1	6385 02	DN 20	Upper part with klingerit seal between cap and body 1982- 2004
1	6385 03	DN 25	Upper part with klingerit seal between cap and body 1982- 2004
1	6385 04	DN 32	Upper part with klingerit seal between cap and body 1982- 2004
1	6385 05	DN 40	Upper part with klingerit seal between cap and body 1982- 2004
1	6385 06	DN 50	Upper part with klingerit seal between cap and body 1982- 2004
1	6385 07	DN 65	Upper part with klingerit seal between cap and body 1982- 2004
1	6385 08	DN 80	Upper part with klingerit seal between cap and body 1982- 2004
1	6519 00	DN10-15	Hand wheel, red, with fixing screw
1	6519 02	DN 20	Hand wheel, red, with fixing screw
1	6519 03	DN 25	Hand wheel, red, with fixing screw
1	6519 04	DN 32-40	Hand wheel, red, with fixing screw
1	6519 06	DN 50	Hand wheel, red, with fixing screw
1	6519 07	DN 65-80	Hand wheel, red, with fixing screw

Brass

HERZ uses top-quality brass.

Pursuant to Article 33 of the REACH Regulation (EC No. 1907/2006), we are obliged to point out that the material lead is listed on the SVHC list and that all brass components manufactured in our products exceed 0.1% (w / w) lead (CAS: 7439-92-1 / EINECS: 231-100-4). Since lead is a component part of an alloy, actual exposure is not possible and therefore no additional information on safe use is necessary.

Disposal

Local and currently applicable legislation must be observed for disposal.

HERZ standard diagram	4115
Order Nr.: 1 4115 0X/1X	Dim. DN10 - DN80

Char.	Dim.	kvs	ζ-Value	Char.	Dim.	kvs	ζ-Value
1	3/8	3	4	6	1½	44	2,5
2	1/2	4	6,7	7	2	87	1,6
3	3/4	10,5	3,1	8	2½	112	2,8
4	1	18	2,7	9	3	175	2,2
5	1¼	32,5	2,5				

