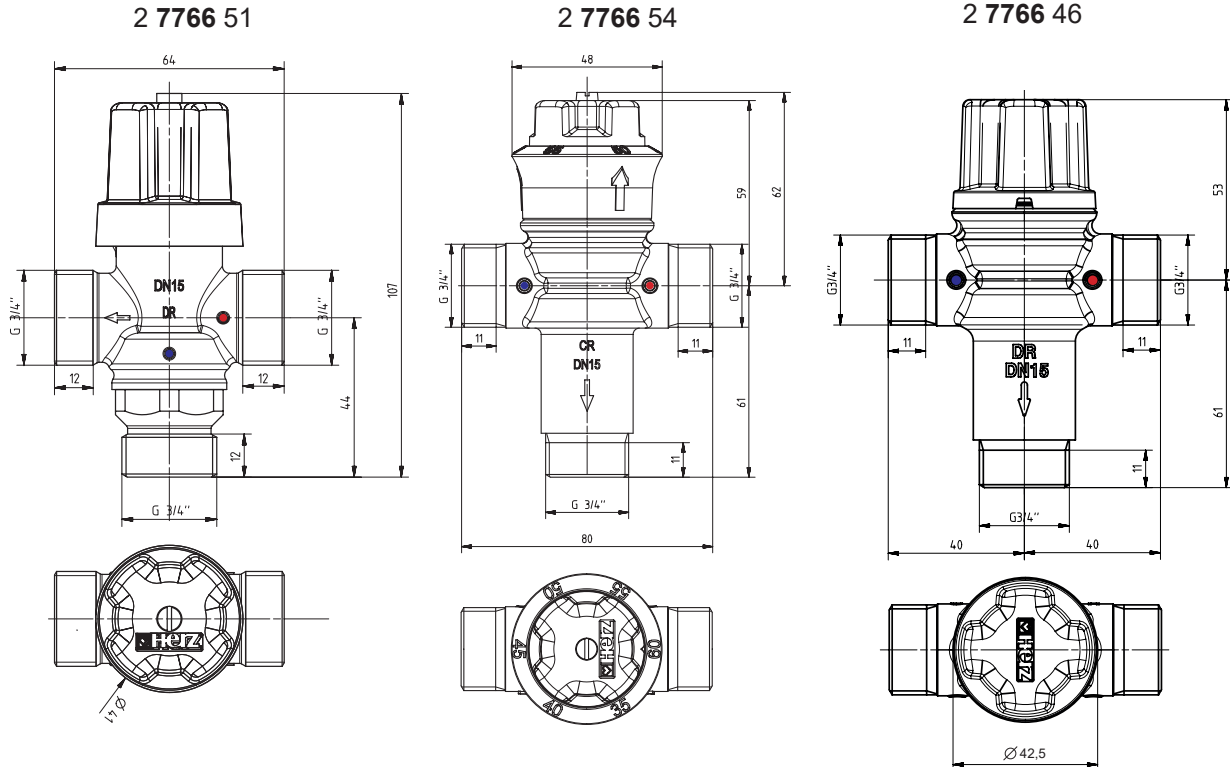


HERZ Mixing valves for drinking water 2 7766

Data sheet for 2 7766, Issue 0723

Dimensions in mm



Technical data

	2 7766 51 DN 15 Mixing valve with changed flow direction	2 7766 54 DN 15 Mixing valve with two- way flow direction	2 7766 46 DN 15 Mixing valve with two- way flow direction
Connection thread, flat sealing:	G 3/4	G 3/4	G 3/4
Mixing temperature, factory setting:	38 °C	45 °C	50 °C
Set value:	38 - 48 °C	35 - 50 °C	35-70 °C
Max. hot water inlet temperature:	85 °C	85 °C	85 °C
Cold water inlet temperature range:	5 - 25 °C	5 - 25 °C	5 - 25 °C
Min. overheat of hot water compared to mixing water:	15 °C	15 °C	15 °C
Mixed water temperature hysteresis:	±2 °C	±2 °C	±2 °C
Max. static pressure:	10 bar	10 bar	10 bar
Dynamic pressure:	0,2 - 6 bar	0,2 - 6 bar	0,2 - 6 bar
Maximum pressure difference (flow pressure) cold/warm or warm/cold:	2,5 bar	2,5 bar	2,5 bar
Min. flow:	4 l/min	4 l/min	4 l/min
Flow at 3 bar:	25 l/min	42 l/min	42 l/min

☑ Features and benefits

- Optimised thermostat technology for best control quality and long durability.
- Excellent temperature stability with a fast reacting thermostat to reduce the risk of uncontrolled high water temperature.
- Designed for high flow-rates and for a stable outlet temperature.
- Build-in with check valves in hot and cold water supply.
- Body and parts in contact with water are made of dezincification resistant brass.

☑ Material

Body:	dezincification-resistant brass according to UBA / 4MS-List
Spring:	stainless steel 1.4310
Internal parts:	dezincification-resistant brass according to UBA / 4MS-List
Stem:	dezincification-resistant brass according to UBA / 4MS-List
Handweel:	ABS
Sealing:	EPDM

Pursuant to Article 33 of the REACH Regulation (EC No. 1907/2006), we are obliged to point out that the material lead is listed on the SVHC list and that all brass components manufactured in our products exceed 0.1% (w / w) lead (CAS: 7439-92-1 / EINECS: 231-100-4). Since lead is a component part of an alloy, actual exposure is not possible and therefore no additional information on safe use is necessary.

☑ Safety notice

Please note that the applied valve is a safety valve. It is recommended to replace it in every 5 years. Local standards and regulations have to be followed.

☑ Warnhinweise

- It is recommended to check the device minimum once a year. In case of unknown or poor quality of water an inspection is recommended more often.
- The test of the output temperature has to be carried out in the same way as by new installation and must not differ from the set temperature by more than ± 2 °C.
- The check valve has a good access for cleaning. It is recommended to use long-nose pliers to pull the check valve out of the valve's body. Levering out the check valve causes damage.
- Apart from removing the hand wheel and cleaning the check valve no other dismantling due to maintenance is necessary.

☑ Installation

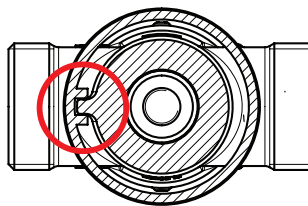
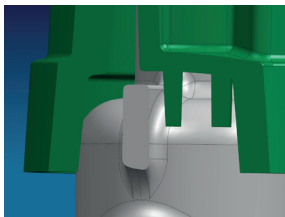
- The valve should be connected with matching pipe connections - red dot or „H“ for hot water, blue dot or „C“ for cold water. The connection „MIX“ is the mixing water outlet and is to connect with the tap.
- The place of installation has to be chosen so that the connected valve can still be adjusted.
- Suitable for vertical and horizontal installation.

☑ Setting 2 7766 51

- Mixed water temperature adjustable by turning the hand wheel. Turn clockwise - lower temperature; counterclockwise - increase temperature.
- Let the water run for at least 1 minute to allow the temperature to stabilise.

Blocking the setting

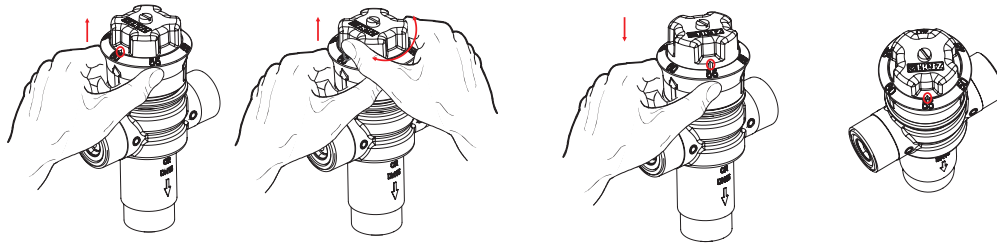
- Remove the locking screw on the valve handwheel.
- Fix hand wheel in blocked position and secure with locking screw.



☑ Setting 2 7766 54

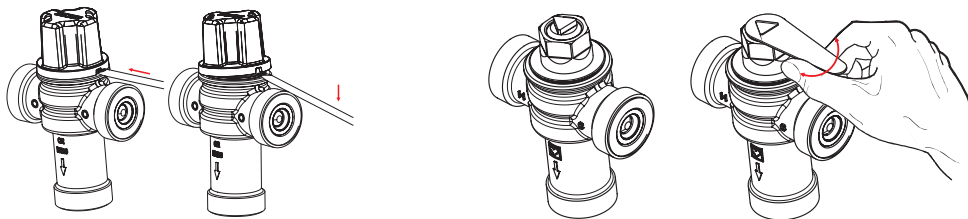
- Pull at the handwheel.
- Turn it to the required position (see marking on the cover).
- Push the handwheel back.

Note: with 2 7766 54 the maximum temperature is reached in the setting range of the scale 50-55-60 and is limited to an actual value of 50 °C in order to avoid scalding children and adults.



Setting 2 7766 46

- Remove the snapped-on cap and adjust the spindle with the triangular key provided. Turn clockwise - lower temperature; anti-clockwise - increase temperature.

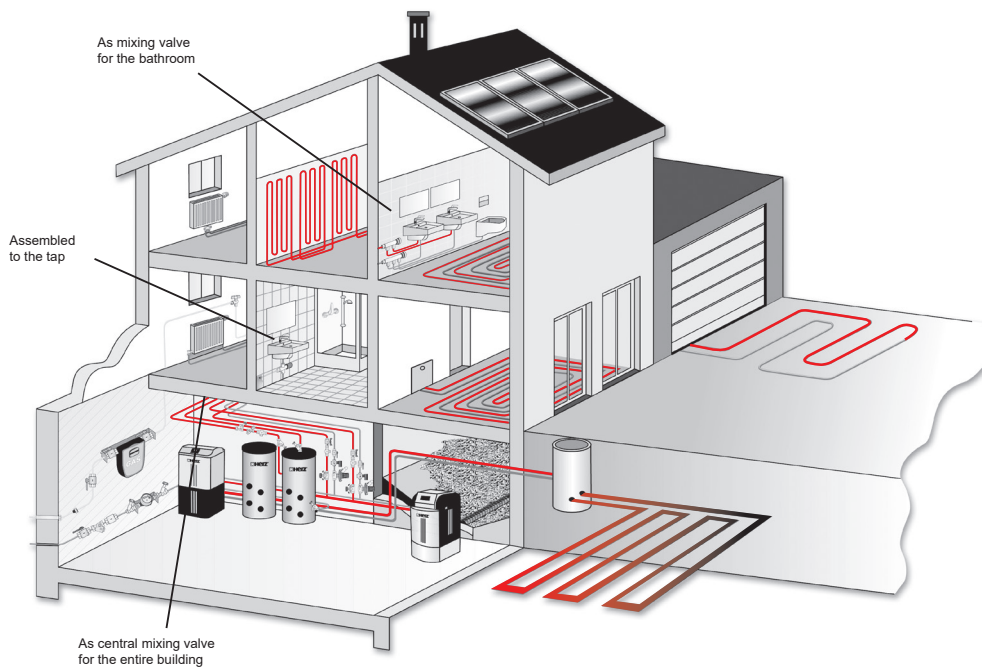


- Measure the mixed temperature and adjust accordingly.
- Snap on the cap.

Disposal instruction

The disposal of HERZ mixing valves for drinking water must not endanger the health or the environment. National legal regulations for proper disposal of the HERZ mixing valves for drinking water have to be followed.

Examples of application



All specifications and statements within this document are according to information available at the time of printing and meant for informational purpose only. Herz Armaturen reserves the right to modify and change products as well as its technical specifications and/or its functioning according to technological progress and requirements. It is understood that all images of Herz products are symbolic representations and therefore may visually differ from the actual product. Colours may differ due to printing technology used. In case of any further questions don't hesitate to contact your closest HERZ Branch-office.