

HERZ floor distributor DN40

Datasheet for 1 8636 XX, Issue 0925

Content

- General information.....2
- Dimensions and components.....4
- DN20 LF distributor connection set with DN15LF commissioning valve5
- DN20 MF distributor connection set with DN15MF commissioning valve7
- DN20 distributor connection set with DN15 commissioning valve9
- DN20 distributor connection set with DN15 GP control valve11
- DN20 connection set with ball valve13
- Accessories, spare parts14

Note: All specifications and information within this document are reflecting the information available at the time of going to print and meant for informational purpose only. Herz Armaturen reserves the right to modify and change products as well as its technical specifications and/or it function according to technological progress and requirements. All diagrams are indicative in nature and do not to be complete. It is understood that all images of Herz products are symbolic representations and therefore may visually differ from the actual produc Colours may differ due to printing technology used. In case of any further questions don't hesitate to contact your closest HERZ Branch-Office.

HERZ floor distributor

General information

☑ Description and advantages

- Completely developed and manufactured by HERZ
- Can be used at high pressure, high and low temperatures and high flow rates
- Reliable design and long service life
- Simple installation and ease of use
- From 1 to 12 heating circuits
- Compatibility with other HERZ products
- With integrated airvent and drain valve

☑ Areas of application

HERZ floor distributors can be used for radiator, floor, wall and ceiling heating and cooling systems. The distributors are sealed on one side with an end module. Distributor inlet is female thread G1 1/2" -this allows connection with threaded pipes or with an adapter for the HERZ PIPEFIX system.

We recommend the use of HERZ commissioning valves and HERZ ball valves.

☑ Assembly instructions

The HERZ floor distributors can be mounted directly on a wall using the brackets supplied.

The mounting position is arbitrary.

☑ Maintenance instructions

Mineral oil lubricants must not be used for valve maintenance. The use of these materials will damage the sealing elements. Silicone-based lubricants are permitted. HERZ Ball valves should be closed and opened periodically (at least twice a year, every 6 months). This prevents the ball valve from blocking, reduces sediment deposition and reduces the possibility of corrosion inside the valve.

☑ Disposal instructions

The disposal of HERZ floor distributors must not endanger the health or the environment. National legal regulations for the proper disposal of HERZ floor distributors have to be followed.

☑ Versions

1 **8636 31** - 42 Flow distributor G1 1/2" without valves

Return distributor G1 1/2" without valves

☑ Material and construction

Distributor rod:	seamless drawn boiler tube P235 painted black
End cap:	brass
Lower connection adapter:	brass
Bracket:	sheet steel, painted black
with clamp:	sheet steel galvanised, with protective rubber
Female thread side connection:	G 1 1/2"
Male thread lower connection:	G 3/4", flat sealing

Pursuant to Article 33 of the REACH Regulation (EC No. 1907/2006), we are obliged to point out that the material lead is listed on the SVHC list and that all brass components manufactured in our products exceed 0.1% (w / w) lead (CAS: 7439-92-1 / EINECS: 231-100-4). Since lead is a component part of an alloy, actual exposure is not possible and therefore no additional information on safe use is necessary.

☑ Operating data

Max. operating pressure	10 bar
Min. operating temperature	2 °C
Max. operating temperature	110 °C

☑ Medium

Heating water quality according to ÖNORM H5195 or VDI-Standard 2035. The use of ethylene or propylene glycol in a mixing ratio 25-50 vol.-% is allowed. Please refer to manufacturers documentation when using glycol products for frost and corrosion protection. HERZ floor distributor for heating and cooling systems is not suitable for usage with aggressive medium (such as: acids, alkalis, combustible and explosive gases) because it can destroy sealing components.

The actual permissible operating data depends on the pipes and clamp connections used.

Example: The following applies to plastic pipes - depending on the manufacturer's specifications:

Max. Operating temperature	70 °C
Max. Operating pressure	6 bar

We would like to point out that use at higher operating pressure is only permitted with the written permission of HERZ Armaturen Ges.m.b.H. When using HERZ press connections for copper and steel pipes, the permissible temperature and maximum pressure according to EN 1254 series apply.

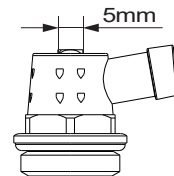
☑ Drain valves

Direction of the distributor flow is evident from the handle color on the drain valves (red: supply / blue: return). On the supply and return rod, a drain valve with connection thread G3/4" is provided on some variants. A hose connection 1 6206 01 can be used additionally. The handwheel is operated by hand to open (rotate counter-clockwise) and close (rotate clockwise) the drain valve. The valve is used for filling and emptying. After use, close the valve. Under no circumstances should the valve be permanently open and integrated in the distribution system.



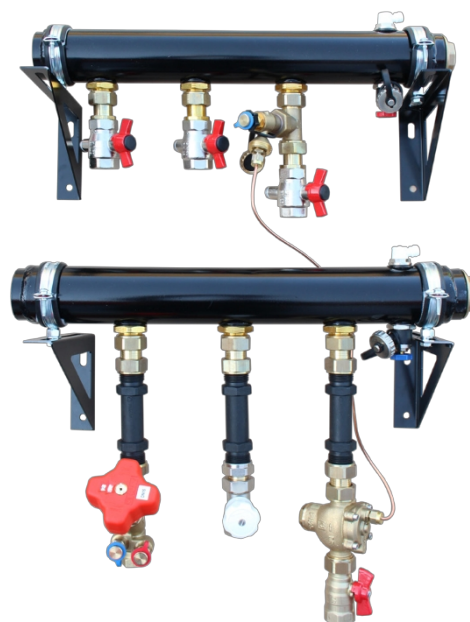
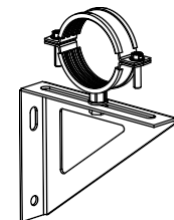
☑ Airvent valves

On the supply and return rod, an air valve is mounted in each case. The valves can be operated with the HERZ universal key (1 6625 00).



☑ Brackets

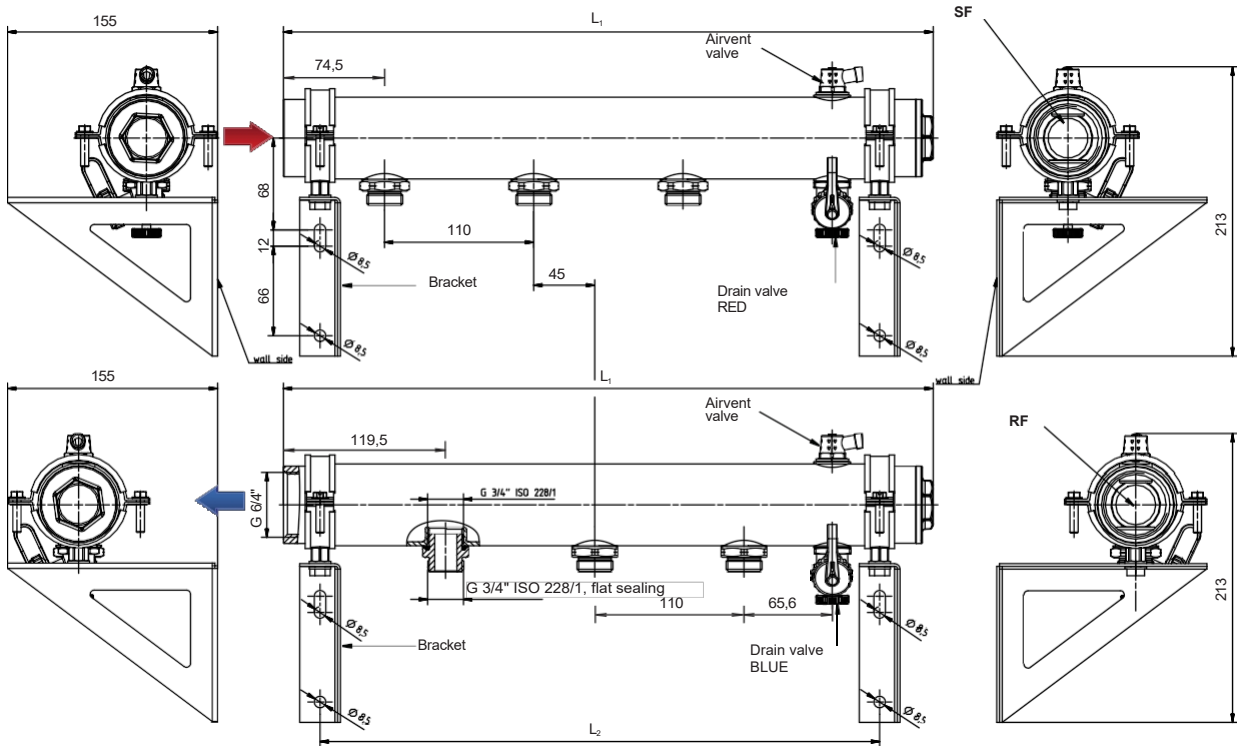
The distribution rods can be mounted directly on the wall using the brackets supplied, consisting of wall brackets and pipe clamps with rubber pads. With this bracket, the distance between the distribution rod and the wall can be individually adjusted.



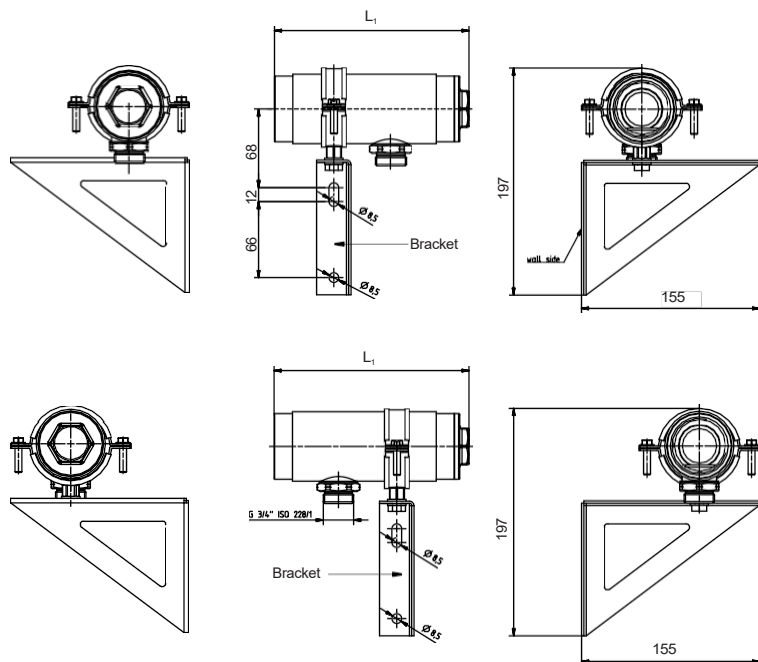
HERZ floor distributor

Datasheet for 1 8636 XX

Dimensions and components

1 8636 33

1 8636 31

Distributor	Outlets	L ₁ [mm]	L ₂ [mm]
1 8636 31	1	170	-
1 8636 32	2	369	303
1 8636 33	3	479	413
1 8636 34	4	589	523
1 8636 35	5	699	633
1 8636 36	6	809	743
1 8636 37	7	919	853
1 8636 38	8	1029	963
1 8636 39	9	1139	1073
1 8636 40	10	1249	1183
1 8636 41	11	1359	1293
1 8636 42	12	1469	1403



HERZ distributor connection set DN 20

with DN15 LF commissioning valve

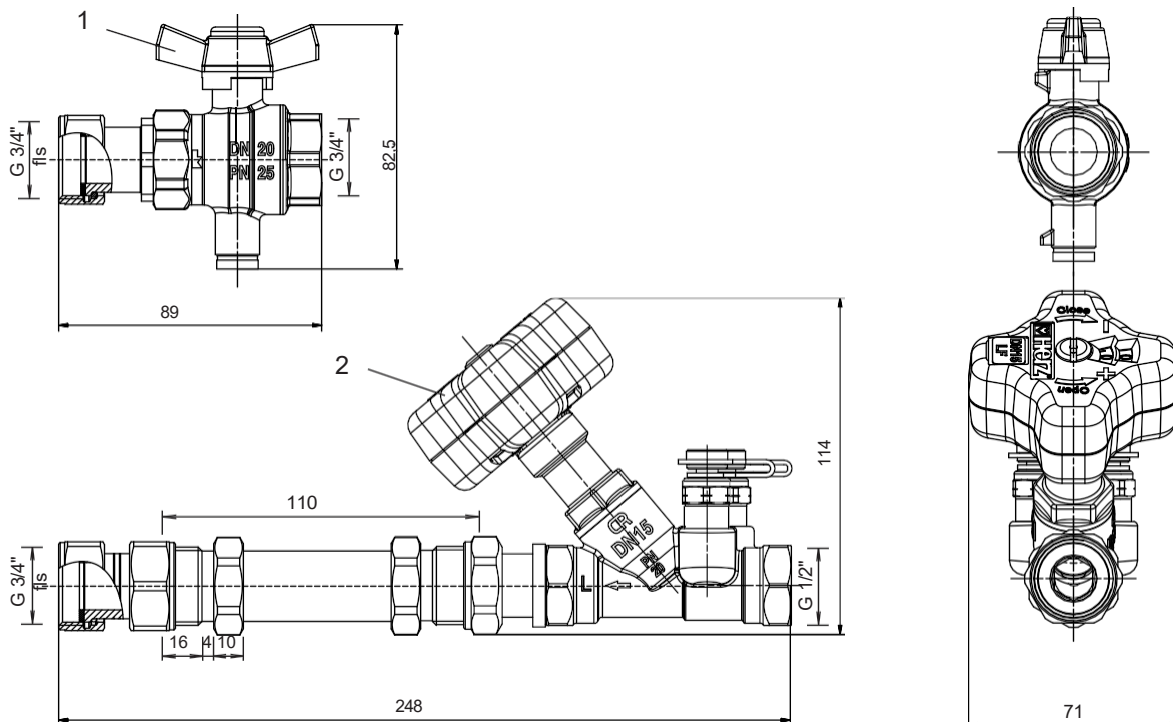
Data sheet for 1 8636 20

☑ Description

HERZ distributor connection set 1 8636 20 consisting of:

- Supply flow set: DN20 ball valve with M10 connection for temperature sensor 1 2202 82
- Return flow set: DN 15LF 1 4017 11 commissioning valve and adapter 110 mm / G3/4" male thread, flat sealing

☑ Dimensions and components



1 - Ball valve DN20 with connection M10 for temperature sensor, 1 2202 82

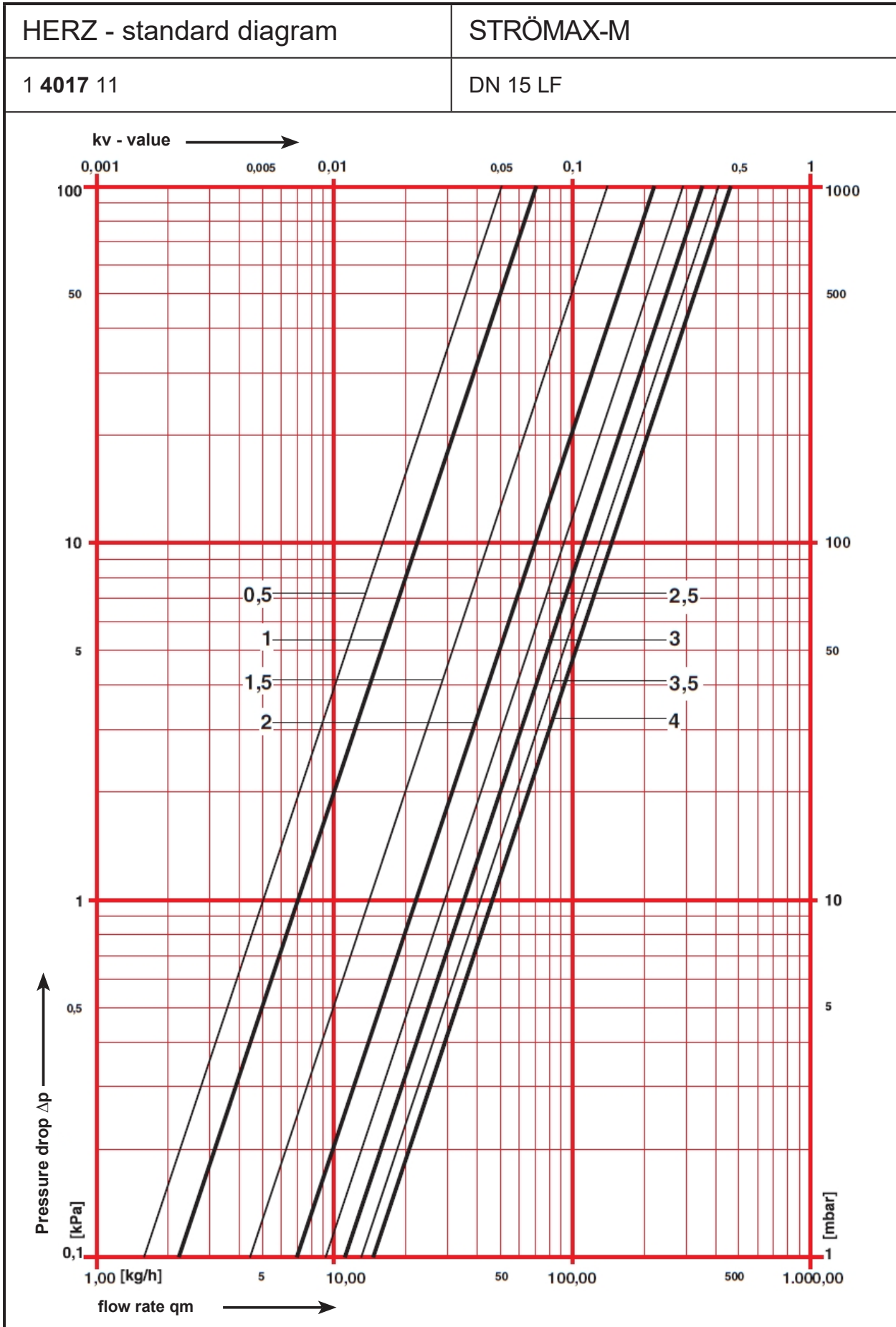
2 - Commissioning valve DN 15LF, 1 4017 11

Order numbers	DN	PN	FT	SW	kvs, [m ³ /h]	Weight, kg
1 4017 11	15 LF	20	G1/2" x G1/2"	27	0,46	0,55
1 2202 82	20	25	G3/4" x G3/4" x M10	31	34	0,26

☑ Operating data of the connection set

Max. operating temperature 110 °C
 Max. operating pressure 10 bar

Heating water quality according to ÖNORM H5195 or VDI-Standard 2035.
 The use of ethylene or propylene glycol in a mixing ratio 25-50 vol.-% is allowed.



HERZ distributor connection set DN20

with DN15 MF commissioning valve

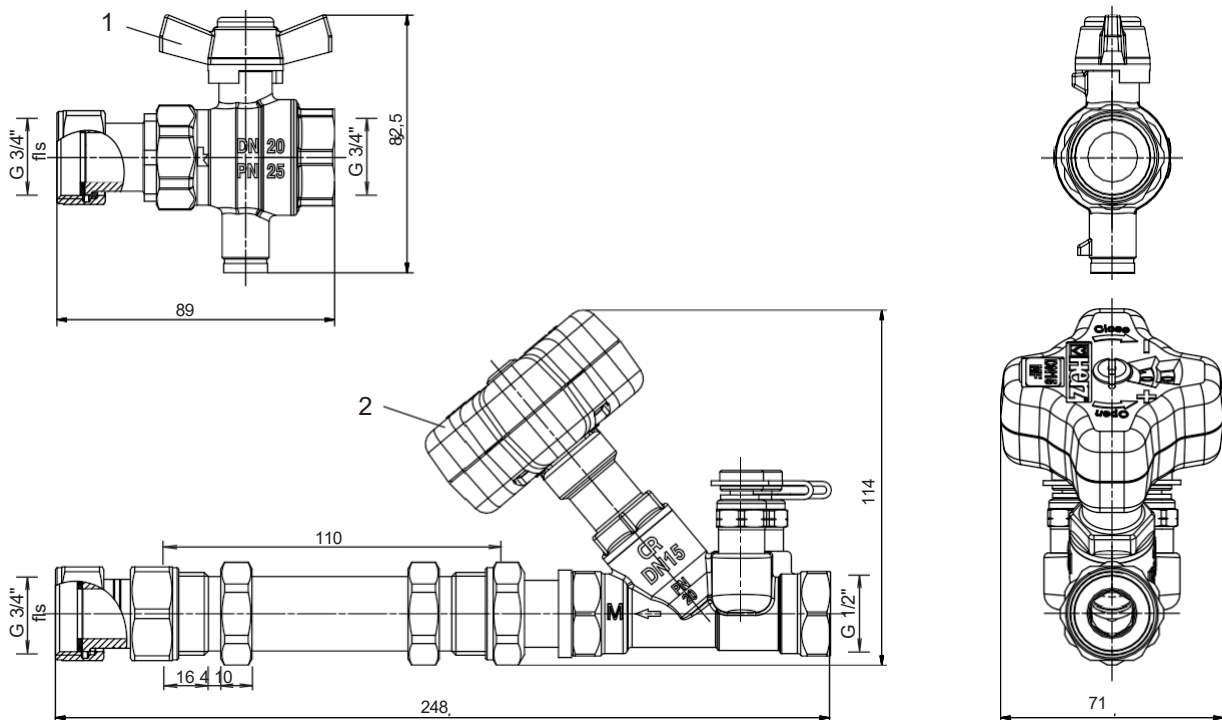
Datasheet for 1 8636 29

☑ Description

HERZ distributor connection set 1 8636 29 consisting of:

- Supply flow set: DN20 ball valve with M10 connection for temperature sensor 1 2202 82
- Return flow set: DN 15MF 1 4017 21 commissioning valve and adapter 110 mm / G3/4" male thread, flat sealing

☑ Dimensions and components



1 - Ball valve DN20 with connection M10 for temperature sensor, 1 2202 82

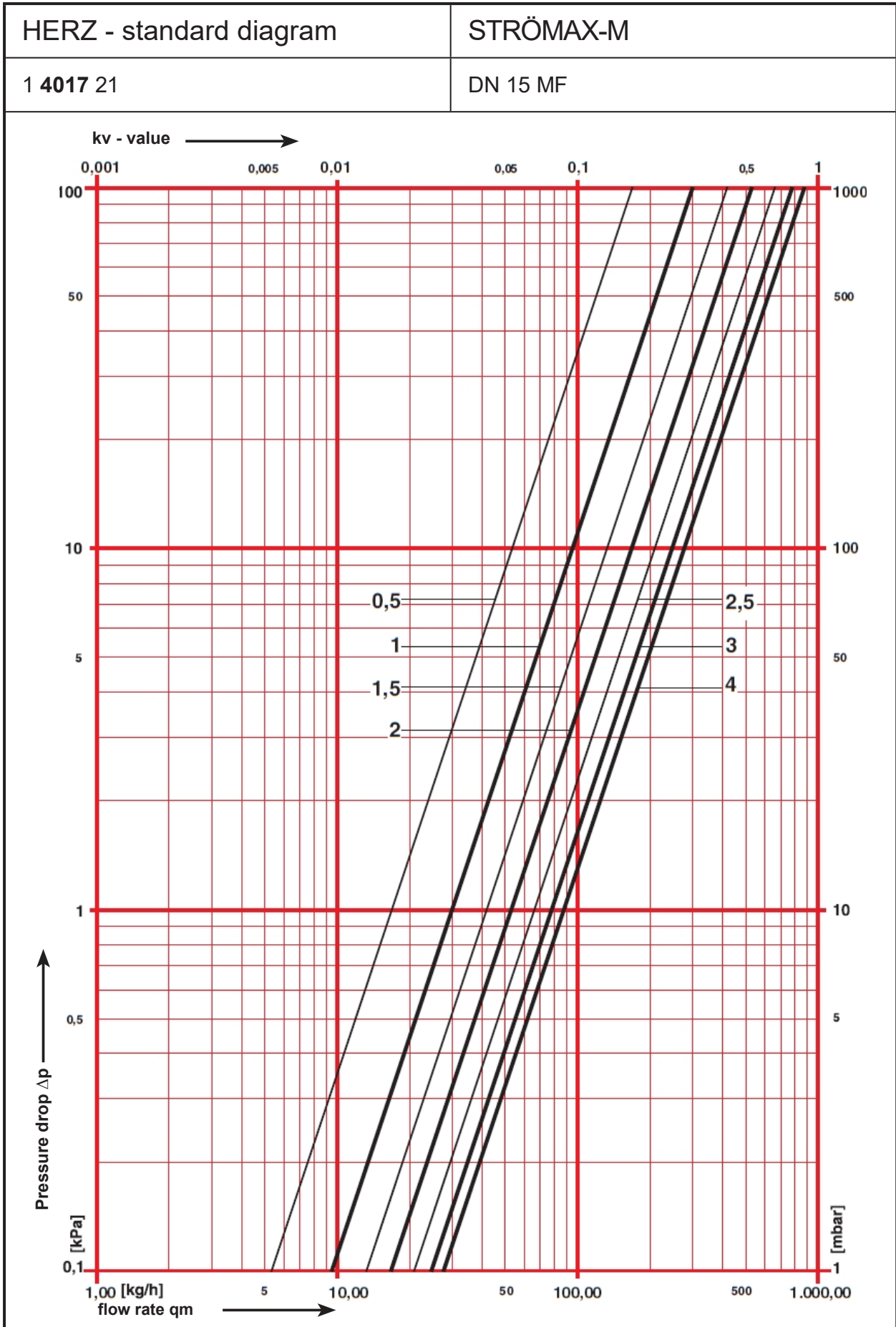
2 - Commissioning valve DN 15 MF, 1 4017 21

Order numbers	DN	PN	FT	SW	kvs, [m ³ /h]	Weight, kg
1 4017 21	15 MF	20	G1/2 x G1/2	27	0,88	0,55
1 2202 82	20	25	G3/4" x G3/4" x M10	31	34	0,26

☑ Operating data of the connection set

Max. operating temperature 110 °C
 Max. operating pressure 10 bar

Heating water quality according to ÖNORM H5195 or VDI-Standard 2035. The use of ethylene or propylene glycol in a mixing ratio 25-50 vol.-% is allowed.



HERZ distributor connection set DN20

with commissioning valve DN15

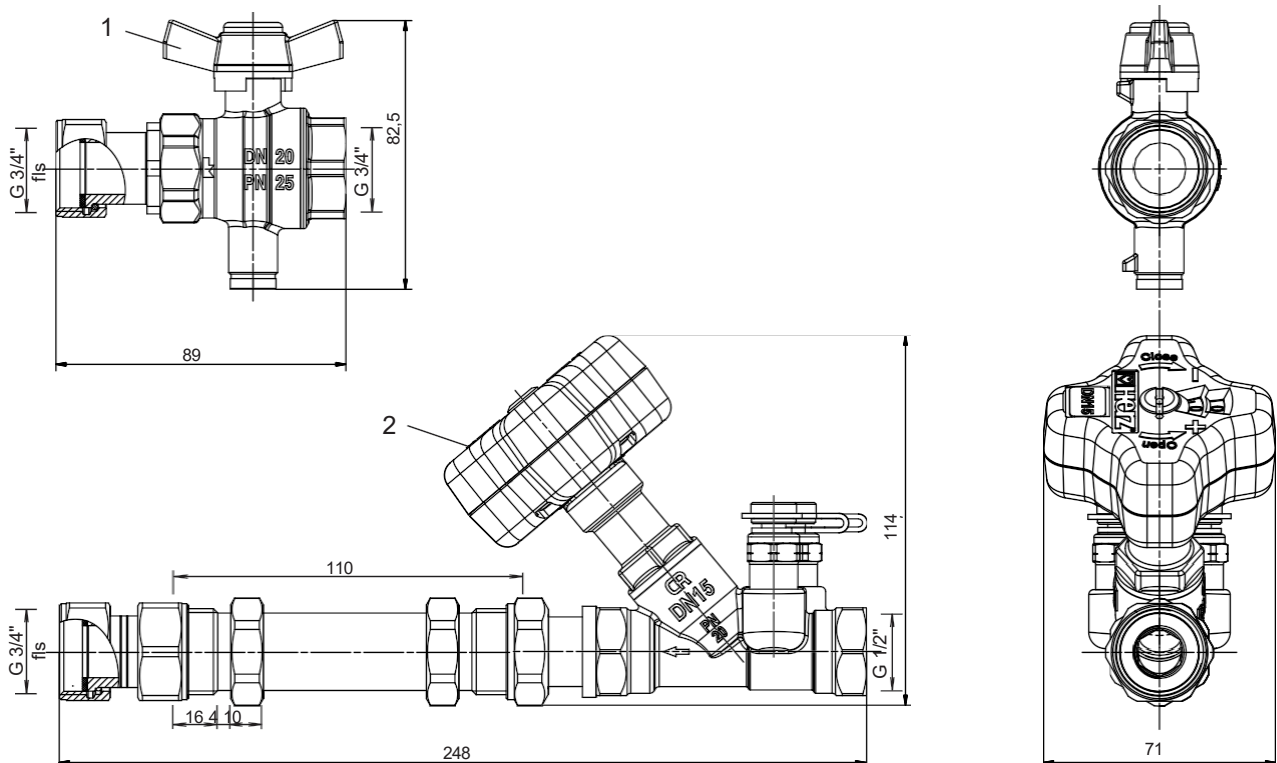
Datasheet for 1 8636 24

☑ Description

HERZ distributor connection set 1 8636 24 consisting of:

- Supply flow set: DN20 ball valve with M10 connection for temperature sensor 1 2202 82
- Return flow set: DN 15 1 4017 01 commissioning valve and adapter 110 mm / G3/4" male thread, flat sealing

☑ Dimensions and components



1 - Ball valve DN20 with connection M10 for temperature sensor, 1 2202 82

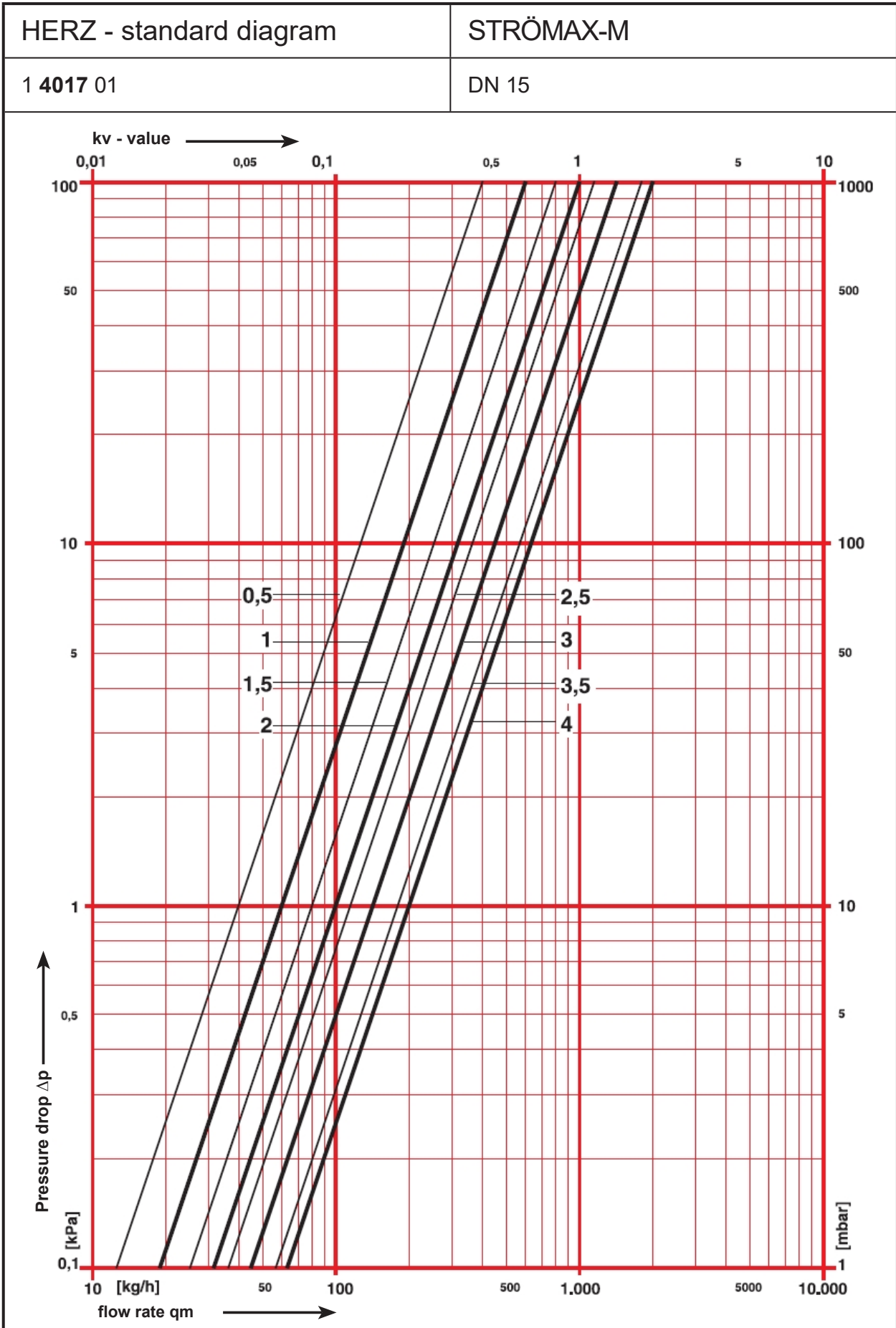
2 - Commissioning valve DN 15, 1 4017 01

Order numbers	DN	PN	FT	SW	kvs, [m³/h]	Weight, kg
1 4017 01	15	20	G1/2 x G1/2	27	2	0,55
1 2202 82	20	25	G3/4" x G3/4" x M10	31	34	0,26

☑ Operating data of the connection set

Max. operating temperature 110 °C
Max. operating pressure 10 bar

Heating water quality according to ÖNORM H5195 or VDI-Standard 2035.
The use of ethylene or propylene glycol in a mixing ratio 25-50 vol.-% is allowed.



HERZ distributor connection set DN20

with control valve DN15

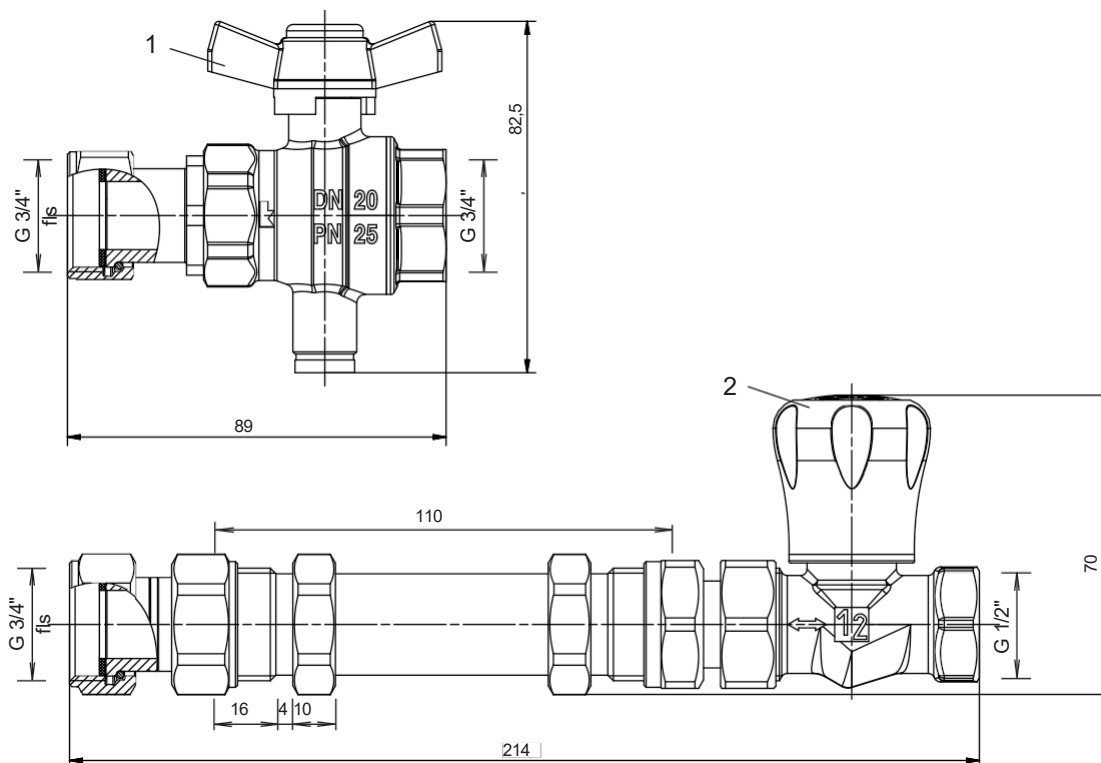
Datasheet for 1 8636 23

☑ Description

HERZ distributor connection set 1 8636 23 consisting of:

- Supply flow set: DN20 ball valve with M10 connection for temperature sensor 1 2202 82
- Return flow set: GP control valve DN 15 1 5523 21 and adapter 110 mm / G3/4" male thread, flat-sealing

☑ Dimensions and components



1 - Ball valve DN20 with connection M10 for temperature sensor, 1 2202 82

2 - GP regulating valve DN 15, 1 5523 21

Order numbers	DN	PN	Thread	SW	kvs, [m ³ /h]	Weight, kg
1 5523 21	15	16	FT Rp1/2 x MT G3/4	27	1,9	0,3
1 2202 82	20	25	FT G3/4" x FT G3/4" x FT M10	31	34	0,26

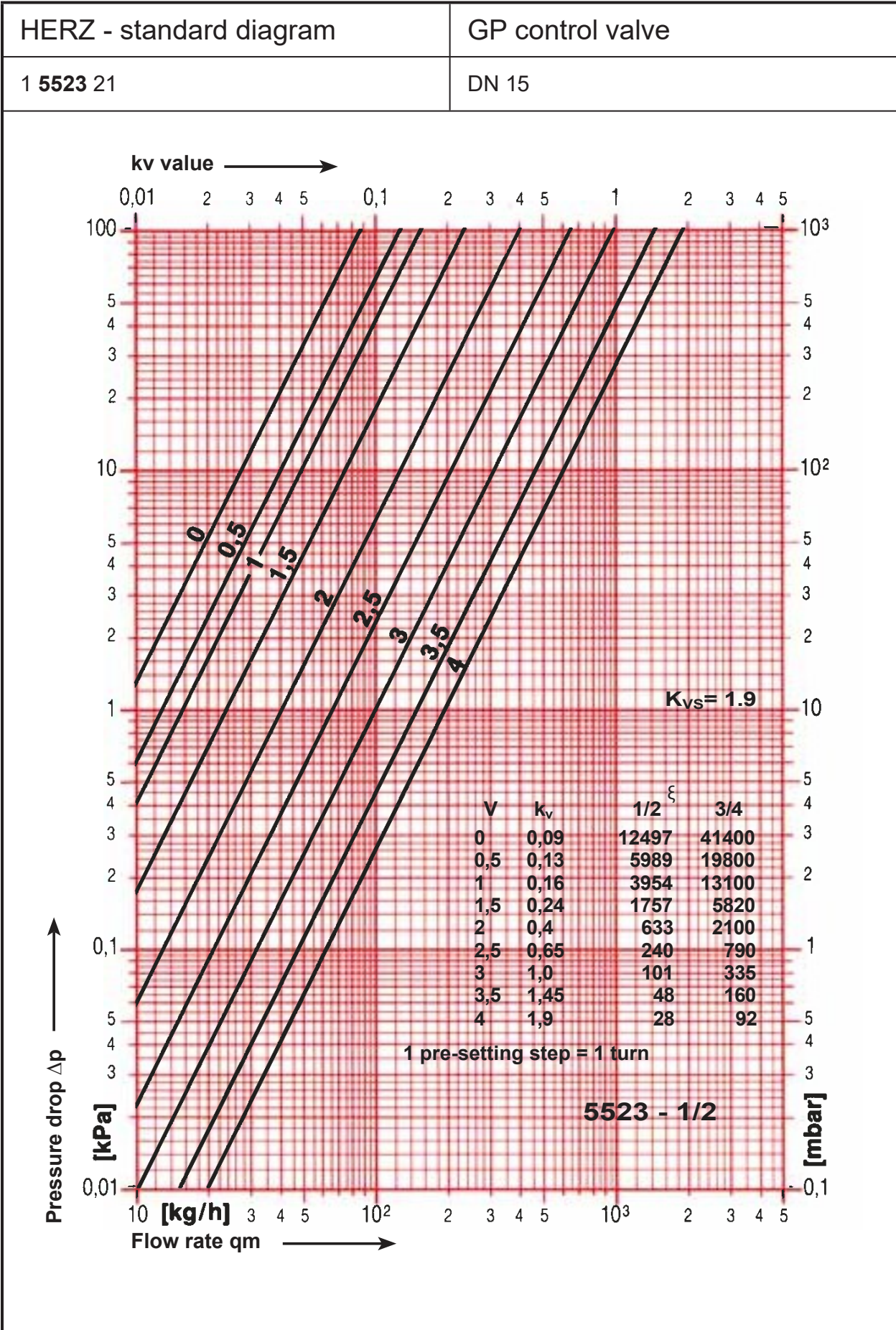
☑ Operating data of the connection set

Max. operating temperature 110 °C

Max. operating pressure 10 bar

Heating water quality according to ÖNORM H5195 or VDI-Standard 2035.

The use of ethylene or propylene glycol in a mixing ratio 25-50 vol.-% is allowed.



HERZ distributor connection set DN20

with ball valve

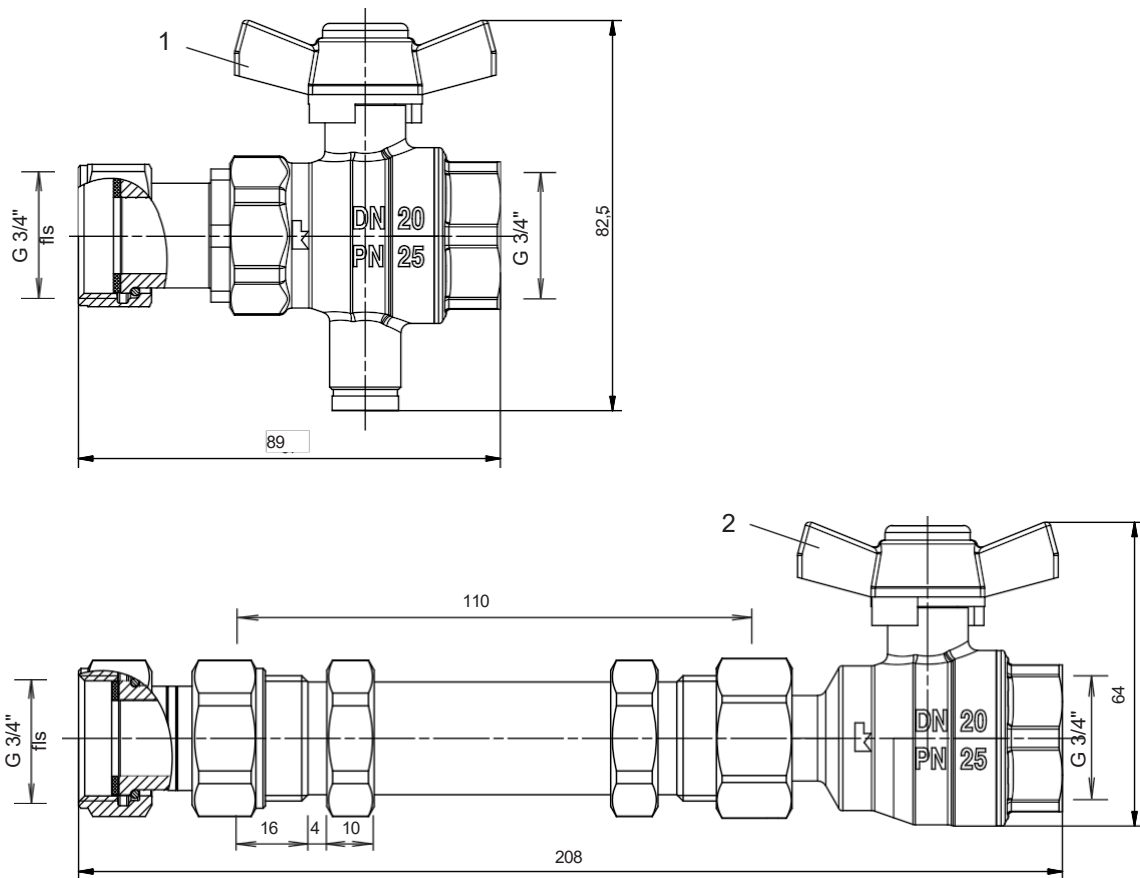
Datasheet for 1 8636 21

☑ Description

HERZ distributor connection set 1 8636 21 consisting of:

- Supply flow set: DN20 ball valve with M10 connection for temperature sensor 1 2202 82
- Return flow set: ball valve DN20 1 2221 02 and adapter 110 mm / G3/4" male thread, flat sealing

☑ Dimensions and components



1 - Ball valve DN20 with connection M10 for temperature sensor, 1 2202 82

2 - Ball valve DN20, 1 2221 02

Order numbers	DN	PN	IG	SW	kvs, [m ³ /h]	Weight, kg
1 2202 82	20	25	G3/4" x G3/4" x M10	31	34	0,26
1 2221 02	20	25	G3/4" x G3/4"	UN30 X 31	34	0,30

☑ Operating data of the connection set

Max. operating temperature 110 °C
 Max. operating pressure 10 bar




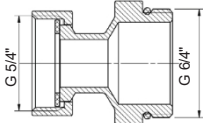
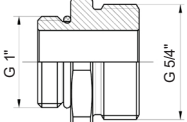
Heating water quality according to ÖNORM H5195 or VDI-Standard 2035.

The use of ethylene or propylene glycol in a mixing ratio 25- 50 vol.-% is allowed.

HERZ floor distributor

ACCESSORIES, SPARE PARTS

Illustration	Description	Item number	Suitable with
	Hose connection	1 6206 01	1 8636 32-39 1 8636 40-42
	Multipurpose key	1 6625 00	1 8636 32-39 1 8636 40-42
	Drain valve RED	1 8635 55	1 8636 32-39 1 8636 40-42
	Drain valve BLUE	1 8635 54	1 8636 32-39 1 8636 40-42
	Ball valve with M10 connection for temperature sensor Version socket x socket	1 2202 82	1 8636 20 1 8636 21 1 8636 23 1 8636 24 1 8636 29
	Ball valve with free-turning union nut, with h T-handle, PN 25 Version socket x union nut, flat-sealing	1 2221 02	1 8636 21
	Upper part for STRÖMAX-M commissioning valves	1 6384 11	1 4017 11
		1 6384 21	1 4017 21
		1 6384 01	1 4017 01

Illustration	Description of the	Item number	Suitable with
	<p>Spindle seal set for HERZ-GP radiator control valves with pre-setting</p>	1 6702 00	1 5523 21
	<p>Test point for HERZ-STRÖMAX commissioning valves 1/4\" brass version, blue cap (return) for pressure transducer</p>	1 0284 01	1 4017 11 1 4017 21 1 4017 01
	<p>Test point for HERZ-STRÖMAX commissioning valves 1/4\" brass version, red cap (supply) for pressure transducer</p>	1 0284 02	1 4017 11 1 4017 21 1 4017 01
	<p>Adapter G 6/4 \"xG 5/4\" Male thread G 6/4\" x G 5/4\" union nut, flat sealing</p>	1 6220 45	1 8636 32-39 1 8636 40-42
	<p>Adapter G 5/4 \"x G 1\" male thread G 5/4\" fls x G 1\" male thread</p>	1 6266 14	1 6220 45