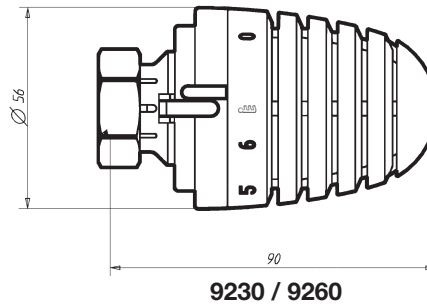


HERZ thermostatic head

with liquid sensor

Data sheet for **9230 06/9260 06**, Issue 0224

☑ HERZ Thermostatic head



☑ Models

- 1 **9230 06** **Radiator thermostat with liquid sensor (hydrosensor)**
with setting „0“, adjustable frost protection, limitation and locking of selected temperature range.
Handwheel white.
- 1 **9260 06** **Radiator thermostat with liquid sensor (hydrosensor)**
with automatic frost protection, limitation and locking of selected temperature range.
Handwheel white.

☑ Operational data

Set point range	9230:	0 - 30 °C
	9260:	8 - 28 °C
Frost protection at		~ 8 °C

Der HERZ thermostatic head is maintenance-free.

☑ Manufacturer informations

Order number	Hysteresis at nominal flow	Differential pressure influence	Closing time in min	Water(heating medium)-temperature influence	CA-value
1 9230 06	0,25	0,15	28	0,7	0,6
1 9260 06	0,25	0,15	28	0,7	0,6

☑ Application

For installation on all valves for thermostatic operation. Article numbers, dimensions and delivery form of the HERZ valves can be found in the corresponding brochures and data sheets.

☑ Function

The HERZ thermostat senses and controls the room temperature. The change in volume of the liquid filling in the HERZ hydrosensor moves the valve's push spindle.

☑ Design

The attractive design of the HERZ thermostat was developed in cooperation with "Porsche Design GmbH", Ferdinand A. Porsche, A-5700 Zell am See.

☑ Setting options

By setting the scale marks opposite the pointer it is possible to achieve approximately the following temperatures in the room. Deviations of a few degrees of temperature (K) are possible according to the mode of installation and the design of the heating system.

☑ Hand wheel scala

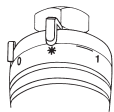
Mark	*	1	2	3	☑	4	5	6
°C	~ 8	~ 10	~ 13	~ 17,5	~ 20	~ 22	~ 25	~ 28

Thermostat **9230**: Turning anti-clockwise to the maximum position (preset by manufacturer) corresponds to approx. 30 °C.

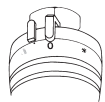
Thermostat **9260**: Scale mark „6“, corresponds to approx. 28 °C.

☑ Comfort point ☑


The comfort point ☑ corresponds to a room temperature of approx. 20 °C. This means optimum heating comfort and energy saving.

☑ Frosts release *


In the „*“ position the valve opens automatically at an ambient temperature of approx. 8 °C and prevents the system from freezing up.

☑ Shutoff thermostat 9230


In the “0” position the thermostatic valve is shut off and the frost release is turned off. This is not a mechanical shutoff of the thermostatic valve; „*“ must be set to ensure protection against frost.

☑ Pre-Setting by manufacturer


The preset stop limit is shown by a point mark and corresponds to the entire turning range.

☑ Summer position

After the end of the heating period, open thermostats completely by turning anticlockwise to prevent the formation of dirt deposits at the valve seat.

☑ Theft protection

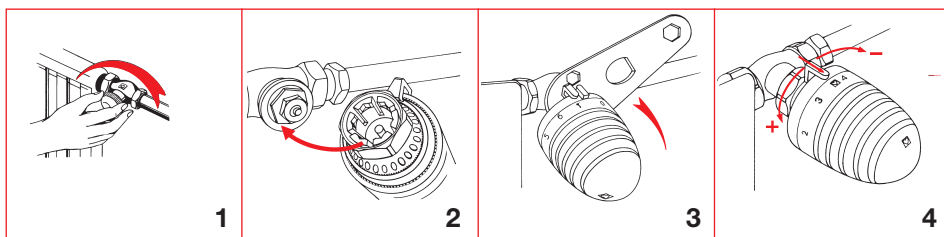
For protection against theft a clip is available which is fitted over the fastening nut.

☑ Accessories

- 1 **6640 00** HERZ universal key, for opening theft protection clips
- 1 **6807 90** HERZ-TS-90 assembly key
- 1 **9551 00** Limiting pin for limitation and locking of the set point range
- 1 **9552 03** Theft protection (snap clips), opening with key 1 **6640 00**
- 1 **9553 44** Cover sleeve for HERZ thermostat fastening nut

☑ Installation

1. Remove screw cap or hand wheel from the thermostatic valve.
2. Place thermostatic head in completely open position (as delivered) on the valve lower part in such a way that the anti-twist lock engages and the pointer is clearly visible.
3. Screw on the union nut and tighten it moderately (key SW 30).
4. Test for proper functioning by turning the hand wheel.



☑ Important for Installation

The HERZ thermostatic head should never be exposed to direct sunlight or devices that emit heat (e.g. television). If the radiator is covered, cladding or heavy curtains, a heat accumulation zone forms in which the room thermostat cannot sense the room temperature and therefore cannot regulate it.

Adjustments for limitation and locking of set temperature range

Limitations

Personal comfort point adjustment

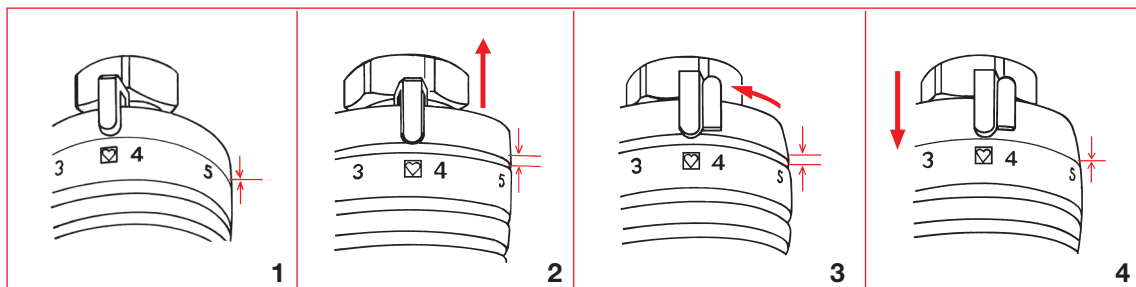
By changing the position of the click-in limiting pin ring the personal comfort point can be adjusted to a maximum or a minimum limit. The full temperature range is provided by manufacturer.

Procedure

- Turn handwheel to desired position (fig. 1).
- Release limiting pin ring in the direction of valve (one notch) and turn in such a way that the limiting pin is positioned to the left (lower limit) or to the right (upper limit) of the pointer (fig. 2, 3).
- Click-in the adjusted limiting pin ring (fig. 4).
- The thermostat head can now be turned to the desired position or from there to the maximum position.

This comfort point adjustment can be changed or cancelled at any time.

The pre-setting by manufacturer for the limit is shown by a round mark and corresponds to the complete temperature range.



Hidden limitation and blocking

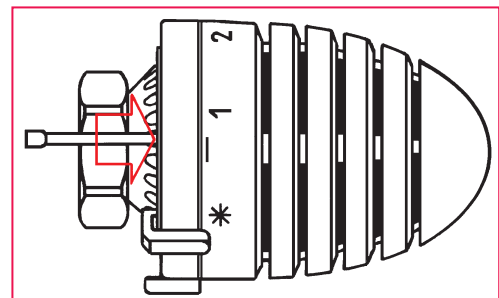
By setting one or two plug-in limiting pins, the range of rotation can be limited or blocked, which cannot be seen or manipulated by unauthorized persons.

The limiting pins are available as accessories. Order № 1 9551 00.

Procedure

On the underside of the thermostatic head, a circle of holes is provided in the base part to accommodate the limiting pins.

- Set the hand wheel of the thermostatic head to the desired position for limiting or blocking.
 - Between positions “*“ and „1“ of the handwheel scale a crossline can be found which marks the point where the limiting pins are to be placed. The procedure is the same as for “Limitations” (see above).
 - Lower limit:
Insert pin in hole aligning with the left end of the line.
 - Upper limit:
Insert pin aligning with right end of the line.
 - Locking to one setting:
Insert one pin at each end of the line.
 - The limit pins must be inserted fully (thickening).
- They may be removed with an appropriate tool (flat pliers etc.).



☑ Disposal

The disposal of HERZ thermostatic head must not endanger the health or the environment. Local and currently valid legislation must be observed for disposal.

☑ Brass

Pursuant to Article 33 of the REACH Regulation (EC No. 1907/2006), we are obliged to point out that the material lead is listed on the SVHC list and that all brass components manufactured in our products exceed 0.1% (w / w) lead (CAS: 7439-92-1 / EINECS: 231-100-4). Since lead is a component part of an alloy, actual exposure is not possible and therefore no additional information on safe use is necessary.

Please note: All specifications and information within this document are reflecting the information available at the time of going to print and meant for informational purpose only. Herz Armaturen reserves the right to modify and change products as well as its technical specifications and/or its function according to technological progress and requirements. All diagrams are indicative in nature and do not to be complete. It is understood that all images of Herz products are symbolic representations and therefore may visually differ from the actual product. Colours may differ due to printing technology used. In case of any further questions don't hesitate to contact your closest HERZ Branch-Office.