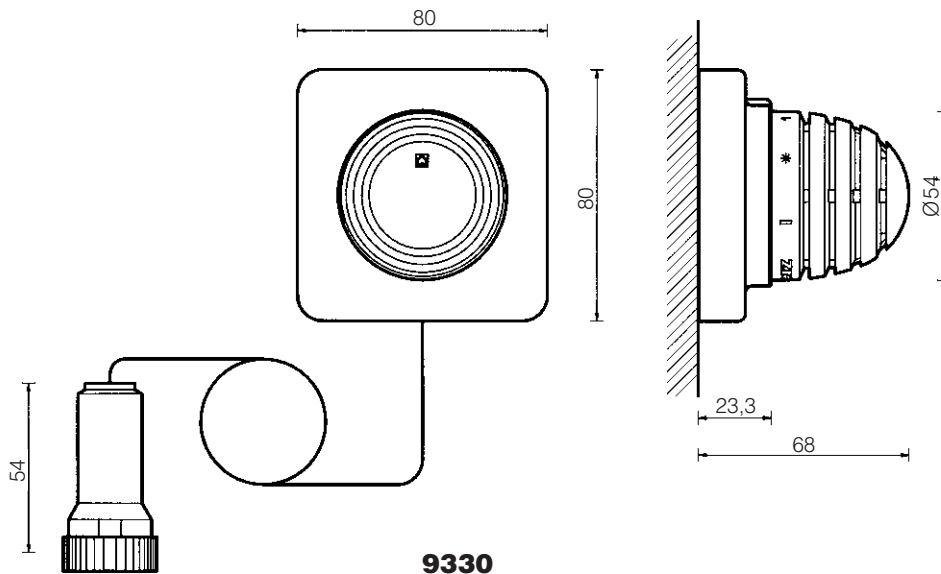


HERZ-Thermostat with Remote Adjustment



9330

Capillary tube length: 2,000, 5,000 and 8,000 mm

19330 05	HERZ-Design Thermostat with remote adjustment consisting of a thermostat with liquid sensor (hydrosensor), capillary tube, and valve cover; adjustable frost release, limitation and locking of selected temperature range, white handwheel, capillary tube length 2,000 mm.	Models
19330 10	HERZ-Thermostat with remote adjustment capillary tube length 5,000 mm	
19330 18	HERZ-Thermostat with remote adjustment capillary tube length 8,000 mm	
19330 98	HERZ-Design Thermostat "H" with remote adjustment capillary tube length 2000 mm	

Set temperature range	2 – 28 °C	Operating Data
Frost safety limit temperature	7 °C	
Excess temperature safety up to	60 °C	

The HERZ-thermostat requires no maintenance.

Suitable for mounting on all HERZ-valves equipped for thermostatic operation.
The HERZ-thermostat with remote adjustment is used for radiators inaccessible due to panelling.
For order numbers, dimensions and forms of delivery of HERZ-valves consult the respective standard sheets.

Application

The HERZ-thermostat serves as a room temperature sensing and control unit. The sensor and adjustment component is mounted onto the wall at a location accessible to air circulation. The change of volume of the liquid filling of the HERZ-hydrosensor is transmitted through the capillary tube to the system of bellows located under the valve cover which in turn actuates the radiator valve. The system is supplied with an excess temperature safety device in the form of a pre-stressed spring effective up to a temperature of 60 °C.

Mode of Operation

We reserve the right to make modifications necessitated by technological progress.

Turning the sensor and adjustment component anti-clockwise increases the room temperature, turning it clockwise reduces the temperature.

Comfort Point

The comfort point "☑" is located between the marks "3" and "4". It corresponds to a room temperature of approximately 20 °C. This means optimum heating comfort and energy saving.

Frost Release

At position "*" the valve opens automatically to prevent a freezing installation.

Summer Setting

After the end of the heating period, open thermostats completely by turning anti-clockwise to prevent the formation of dirt deposits at the valve seat.

Settings

The adjustment marks roughly correspond to the room temperatures specified below. Deviations of a few degrees (K) are possible according to the mode of installation and design of the heating system.

Adjustment Marks

Marks	I	*	1	2	3	☑	4	5	6
approx. °C	2	7	11	14	18	20	22	25	28

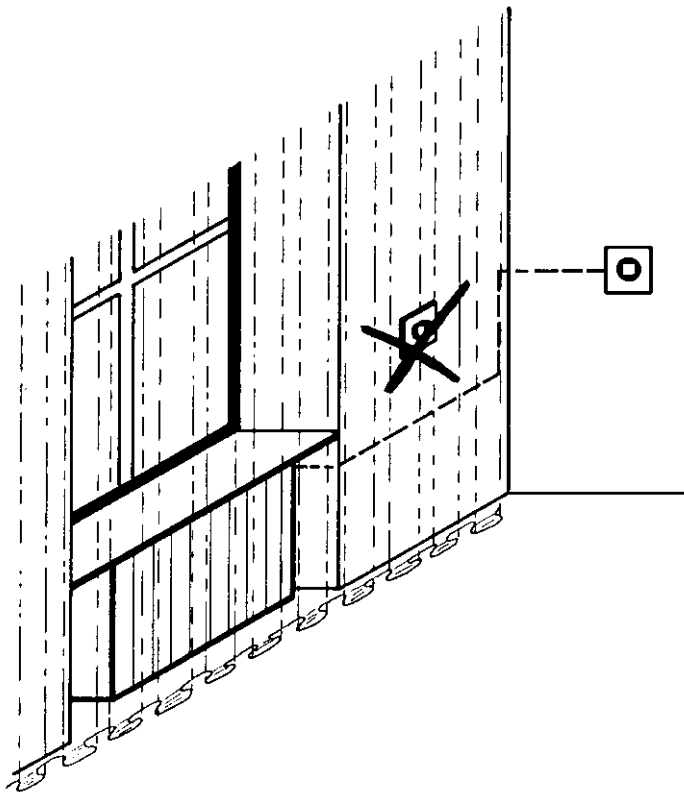
19551 00 Limiting pin, for limiting and locking of the set value range for HERZ-thermostatic heads of series 9000 (to be ordered separately).

Accessories

The capillary tube must not be bent sharply or damaged during installation because this would impair its function. The tube must not be installed on or near heating piping, radiators or other heat sources.

It must be ensured that the sensor and adjustment component at the wall is not covered by any curtains, panelling, etc.

Important for Installation



Installation

1. Unscrew cap or handwheel from the thermostatic valve (fig. 1).
2. Place valve cover on top of the thermostatic valve and tighten the union nut manually (fig. 2).

The capillary tube can be embedded in the existing slot (fig. 3).

3. Use the fastening material supplied with the thermostat to mount the thermostatic element onto the wall in such a way that the arrow on the bottom plate (beside the colour mark) points upward. Take into account the capillary tube length when mounting the thermostat (fig. 4).

4. If the capillary tube is too long, the part which is not needed can be wound up on the bottom plate (fig. 5).

If the tube is not laid behind panelling, starting boards, etc. it can be mounted by means of retaining clips (order No. 17555 00). For buried laying see item 6.

5. Snap cover plate into position in such a way that the pointer matches with the bottom plate arrow pointing upward (fig. 6).

6. Buried Laying of the Capillary Tube

The thermostatic element with bottom plate can also be mounted on flush boxes.

The bellows located inside the valve cover are passed through a pipe (inside diameter 23 mm). For this purpose, the plastic components must be disassembled as described below (fig. 7).

- Push the union nut back;
- Widen the slotted sleeve and pull the insulation component plus bellows out;
- Then, remove all 3 plastic components.

After introduction into the pipe (fig. 8), slide the 3 plastic components on again into their correct positions starting with the union nut. The insulation component must snap into the slotted sleeve (fig. 9).

Mount the valve cover on the thermostatic valve as described above.

Adjustment Options

At the bottom plate there are 2 steel pins which serve for limiting the set temperature range. Locking at a given set temperature is also possible.

Procedure:

- Remove cover plate
- Set the desired temperature
- Place a pin either before or after the handwheel stop depending on whether the set value is intended to be a minimum or maximum temperature (fig. 10, 11).
- Snap cover plate into position as in item 5.

In order to lock the set temperature at a given value use both pins placing them directly before and after the handwheel stop (fig. 12).

