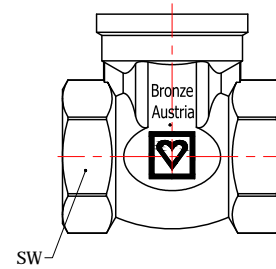
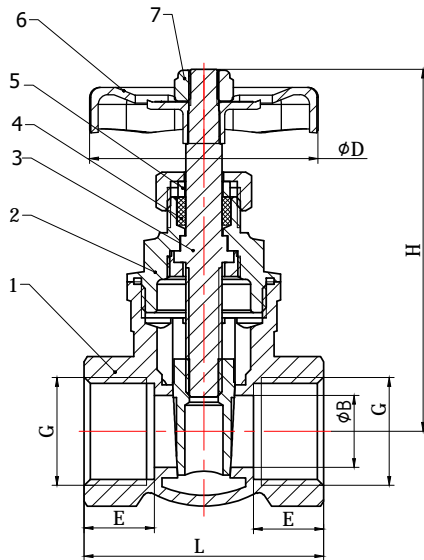


wedge and double disc version.

Data sheet for 3 4113 0x, Issue 0622



Material

Body	:(1)Bronze
Cap	:(2)Brass
Screw Shaft	:(3)Brass
Packing	:(4)PTFE
Gasket	:(5)Brass
Handle	:(6)Q235
Nut	:(7)Q235

Technical data

Max. operating pressure	: 20 bar
Max. operating temperature	: 120°C
Connection thread	: ISO 7-1 Rp

The use of ethylene or propylene glycol in a mixing ratio 25 -50% is allowed.

4113 1x according to EN12288 ,BS5154

ORDER Number	DN	G	L	E	H	D	B	SW
3 4 113 01	15	G1/2"	46	13.5	74	52.5	14	SW26.5
3 4 113 02	20	G3/4"	51.5	15.5	78	59	19	SW32
3 4 113 03	25	G1"	56	16.5	94	65	24	SW26.5
3 4 113 04	32	G1 1/4"	61	18.5	106	72.5	31	SW47
3 4 113 05	40	G1 1/2"	61.8	18.2	120	85.5	37	SW53
3 4 113 06	50	G2"	71.5	19.5	139	90	48	SW66

Field of application

For all nonaggressive fluids for domestic, commercial and industrial applications. Suitable for hot and cold water.

Sealing surfaces

Sealing takes place by means of pressing the valve discs without sliding onto the seat. The fine worked seal precision surface of the valve discs guarantees denseness for the carried flow quantity, also when dirt particles have been deposited on the surfaces of the gate

All specifications and information within this document are reflecting the information available at the time of going to print and meant for informational purpose only. Herz Armaturen reserves the right to modify and change products as well as its technical specifications and/or its function according to technological progress and requirements. All diagrams are indicative in nature and do not to be complete. It is understood that all images of Herz products are symbolic representations and therefore may visually differ from the actual product. Colours may differ due to printing technology used. In case of any further questions don't hesitate to contact your closest HERZ Branch-Office.