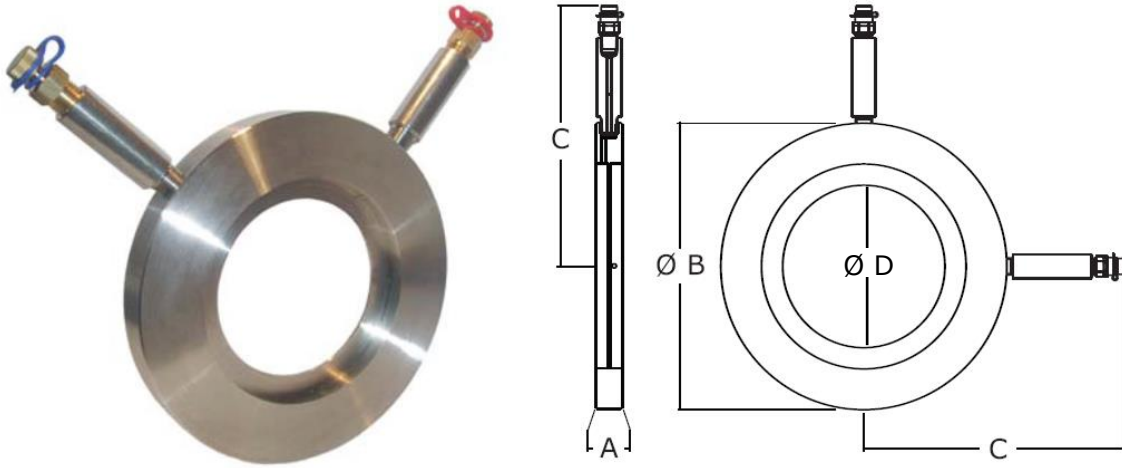


HERZ Stainless Steel Orifice Plate PN16

Standard sheet for
HV2740 (0724)



		Specification	
Component	Material	BS EN	ASTM
Body	Stainless Steel	10088 X5CrNi18-10	A276 304
Extension	Stainless Steel	10088 X5CrNi18-10	A276 304
Test Point	Brass	12164 CW602N	

Materials

Size	(mm)	65	80	100	125	150	200	250	300	350	400
A	mm	20	20	20	20	20	20	20	20	24	24
B	mm	129	144	164	194	220	275	331	386	446	498
C	mm	158	166	176	191	204	232	258	287	317	342
D	mm	55	65	84	104	126	166	203	244	271	311
Weight	kg	1.9	2.2	2.7	3.2	3.8	5.5	7	10	12	14

Dimensions

Designed in accordance with BS1042

Flow Characteristics confirmed to BS7350

Flow measurement accuracy within $\pm 5\%$

Self sealing pressure test points

Outside diameter locates centrally within flange bolting to
BS EN 1092-1

Pressure/Temperature Rating
16 bar @ -10 to 120°C

Specification



Herz Valves UK Ltd
Unit 2B
Centurion Business Park
Sturrock Way, Bretton
Peterborough
PE3 8YF

Tel: 01733 330330

Email: Sales@herzvalves.com

Web: www.herzvalves.com