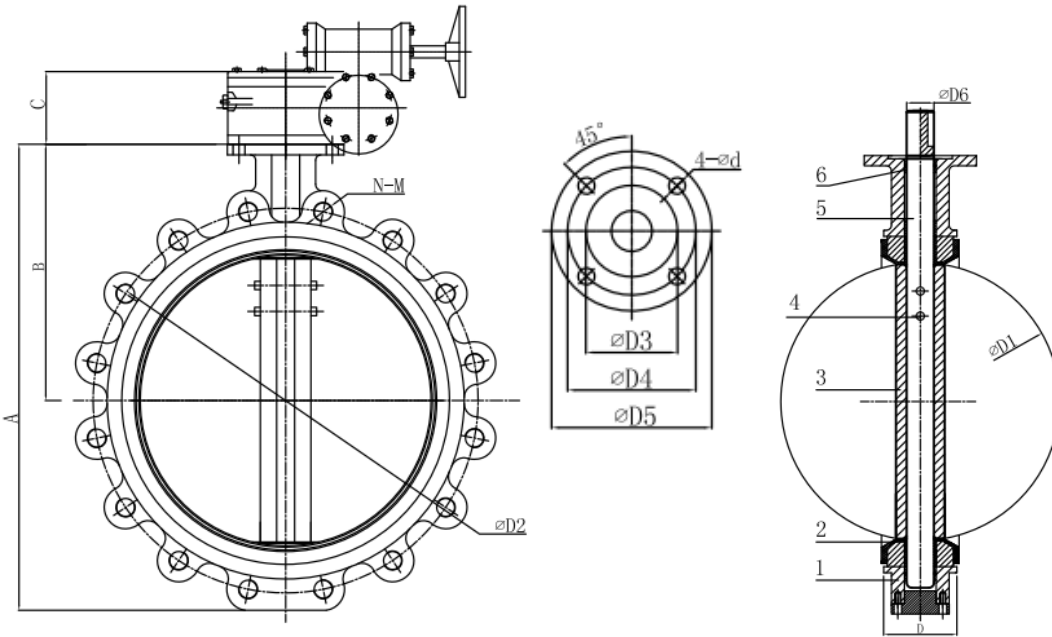


HERZ DN400-600 Butterfly Valve PN16

Standard sheet for
HV-BF-FLG-16-19
(1015)



Dimensions

SIZE	øD1	øD2	øD3	øD4	øD5	4-ød	A	B	C	D	N-M	øD6
DN400	389.6	525	100	140	175	18	712	400	104	102	16-M27	33.15
DN450	440.5	585	100	140	175	18	752	422	104	114	20-M27	37.95
DN500	491.6	650	100	140	175	18	843	480	104	127	20-M30	41.12
DN600	592.5	770	130	165	210	22	1021	562	124	154	20-M33	50.62

Materials

No	Item	Material	Specification	Operator
1	Body	Ductile Iron	ISO 1083 (2004)	Gear SS316 shaft
2	Seat	Elastomer	EPDM	
3	Disc	Stainless Steel	CF8	
4	Taper pin	Stainless Steel	SS416	
5	Shaft	Stainless Steel	SS431	
6	Bearing	PTFE		

Specification

WRAS Approved
EN558-1 20 series
End Flange: BS EN 1092-2 PN16
Top Flange: ISO5211

Working Temperature: -10 to 120°C
Test pressure
Shell 24 bar
Seat 17.6 bar



Herz Valves UK Ltd
Progress House
Moorfield Point
Moorfield Road
Guildford
Surrey
GU1 1RU

Tel 01483 502211
Fax 01483 502025

Sales@herzvalves.com

www.herzvalves.com