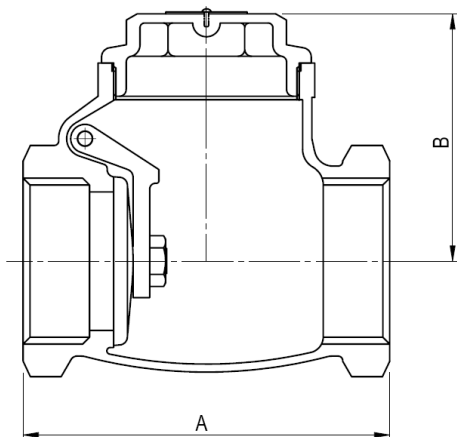


HERZ Bronze Swing Check Valve PN25

Standard sheet for
HVCH25 (0724)



Component	Material	BS EN
Body	Bronze	1400 LG2
Cap	Bronze	1400 LG2
Hinge	Bronze	1400 LG2
Disc	Bronze	1400 LG2
Hinge Pin	DZR Brass	12164 CW 602N
Disc Nut	DZR Brass	12164 CW 602N
Hinge Screw	DZR Brass	12164 CW 602N

Dimensions							
Size		1/2"	3/4"	1"	1 1/4"	1 1/2"	2"
A	mm	66	70	83	96	108	128
B	mm	45	49	58	65	73	89
Weight	kg	0.3	0.4	0.6	1	1.3	2.1

In Accordance With BS 5154:1991

Pressure/Temperature Rating

25 bar @ -10 to 100°C

10.5 bar @ 186°C

End Connections

BS EN 10266 (ISO7 Rc)

Test Pressure

Shell 37.5 bar

Seat 27.5 bar



Herz Valves UK Ltd
Unit 2B
Centurion Business Park
Sturrock Way, Bretton
Peterborough
PE3 8YF

Tel: 01733 330330

Email: Sales@herzvalves.com

Web: www.herzvalves.com