



HERZ Drain valves

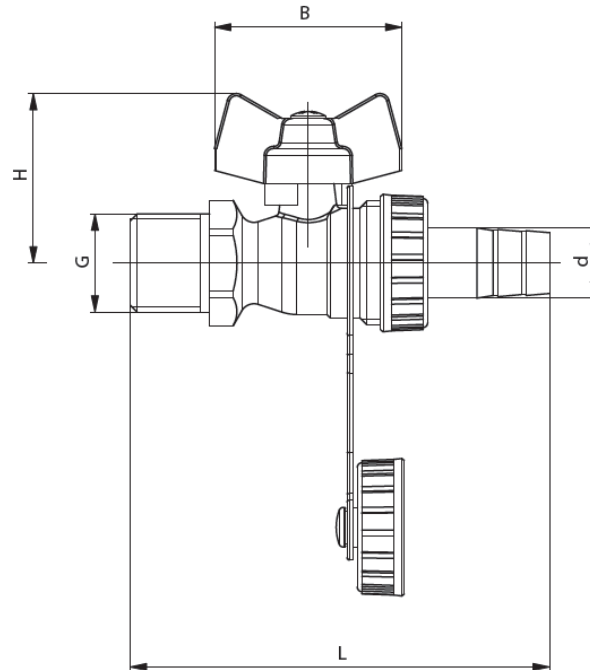
Hose Union Ball valve

Data sheet for 2512 Issue 0521

Dimensions in mm



1 2512 0x



Order #	DN	G	PN	d	L	H	A	Sw
1 2512 01	15	1/2	10	15	83	37	40	24
1 2512 02	20	3/4	10	19	98	40	40	30

Materials

Body	Forged brass CW617N
Ball	Forged brass CW617N, full bore, Surface chrome plated
Spindle	Brass CW614N
Handle	Aluminium red painted
Sealings	Ball: PTFE, Spindle: PTFE

Technical data

max. operating pressure: PN10
 max. operating temperature: - 30°C to 110°C
 Heating water according ÖNORM H5195 or VDI- Standard 2035.
 The use of ethylene, or propylene glycol in a mixing ratio 25- 50% is allowed.

Application

The drain valves are installed as valves to fill and drain systems. Fields of application are building services, such as in heating or chilled water plant in buildings. Aromatic chlorinated hydrocarbons such as natural gas or petroleum occurring in, destroy the EPDM seals.

Installation and maintenance

HERZ recommends the use of standard thread sealants for the connection between the drain valves and pipe.

The drain valve should always be fully opened or closed, not used in intermediate positions. The drain valves do not require any special maintenance. At least twice a year, the drain valves should be operated.

Accessoires

Hose connection with union nut for DN15	1 6206 01
Hose connection with union nut for DN20	1 6206 02

The hose connection is to be ordered separately.

All specifications and statements within this document are according to information available at the time of printing and meant for informational purpose only. Herz Armaturen reserves the right to modify and change products as well as its technical specifications and/or its functioning according to technological progress and requirements. It is understood that all images of Herz products are symbolic representations and therefore may visually differ from the actual product. Colours may differ due to printing technology used. In case of any further questions don't hesitate to contact your closest HERZ Branch-office.