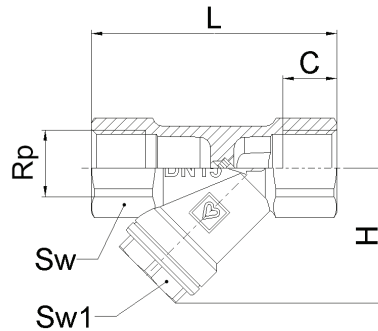


HERZ - Strainer for gas

Datasheet **1 2319 0X**, Issue 0516

☑ Dimensions



Order Nr.	DN	Rp [in]	L [mm]	H [mm]	C [mm]	Sw [mm]	Sw1 [mm]	Weight [kg]
1 2319 01	15	1/2"	68	37	15	25	22	0,177
1 2319 02	20	3/4"	80	46	15	32	24	0,28
1 2319 03	25	1"	90	55	19	41	25	0,54

☑ Material and construction

Body:	forged brass acc. to EN 12165, CW617N
Plug:	forged brass acc. to EN 12165, CW617N
Mesh:	chrome-nickel steel, mesh width 0,05 mm
Plug seal:	NBR 70 ShA
Internal threaded connectors:	acc. to ISO 7-1

☑ Operating data

Max. operating pressure:	PN 5 bar
Min. temperature:	-20°C
Max. temperature:	60°C
Suitable for:	1., 2., 3. gas family acc. EN437 (gas family acc. to DVGW table G260/1)

☑ Field of application

Strainer for gas is used in gas installations according to DVGW-TRGI which use gases acc. to table G260/I. Field of application are central gas heating systems and water heaters. Mesh with texture 0.05 mm stops particles (bigger than 0.05mm) which are present in gas pipe installations. Strainer is protecting sensitive gas elements from damages (gas meters, gas regulators) caused by particles of dirt.

☑ Assembly instruction

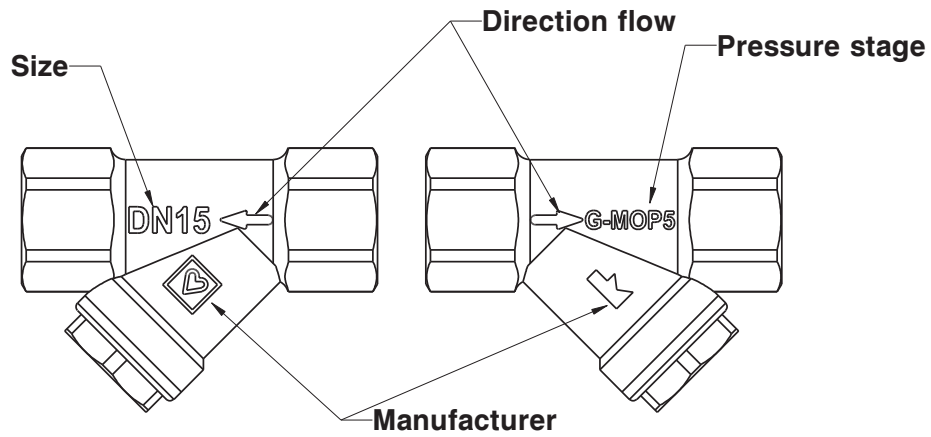
The threads of the pipe have to be coated with a suitable sealing material (spinning material, Teflon ribbon, sealing paste). There should not be excess of sealing material on the pipe because it can damage the thread. The strainer for gas with thread (Rp) is screwed on to the pipe. When screwing do not exceed the maximum torque moment (Mt). The pipes have to be correctly aligned, so the strainer is not loaded with a bending moment. When using copper or plastic pipes take into account pressure and temperature limits of used material. When assembling, use a suitable assembly tool that adapts to strainer end connections (Sw, Sw1). The gas flow in installations must have the same directions as arrow indicated on the body.

☑ Maintenance instruction

We recommended to replace or clean the mesh after short period from first montage. When replacing mesh, close gas valves. Strainer must not be under gas pressure (explosion or gas fire hazard). Unscrew the plug on strainer body. Pull out the mesh and clean the mesh or if it is necessary replace the mesh. Insert the plug into the strainer body and shut the filter by screwing the plug until stop.

☑ Disposal instructions

The disposal of HERZ Strainer for gas must not endanger the health or the environment. National legal regulations for proper disposal of the HERZ Strainer for gas have to be followed.

☑ Labels on strainers

Please note: All specifications and information within this document are reflecting the information available at the time of going to print and meant for informational purpose only. Herz Armaturen reserves the right to modify and change products as well as its technical specifications and/or its function according to technological progress and requirements. All diagrams are indicative in nature and do not to be complete. It is understood that all images of Herz products are symbolic representations and therefore may visually differ from the actual product. Colours may differ due to printing technology used. In case of any further questions don't hesitate to contact your closest HERZ Branch-Office.