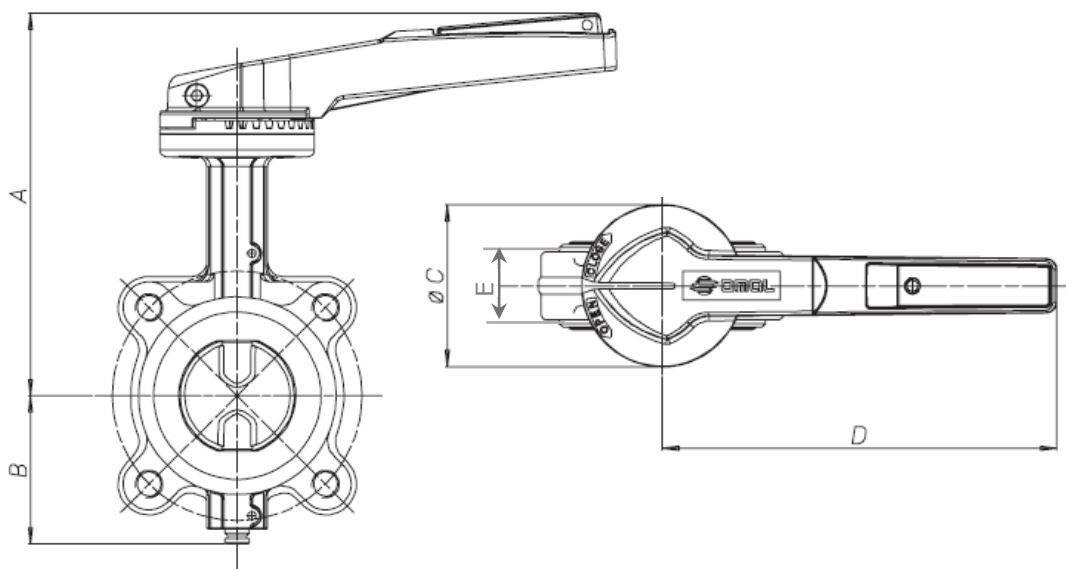


# HERZ Fully Lugged Gas Butterfly Valve PN16

Standard sheet for  
HV-BF-FLL-GAS  
(0214)



Size	A	B	ØC	D	E	Kg
DN50	203	80	90	160	43	3.4
DN65	225	86	90	220	46	4.3
DN80	230	95.5	90	220	49	5.5
DN100	250	108	90	220	49	6.6
DN125	277	124.5	90	350	56	9
DN150	290	137	90	350	56	11.4
DN200	325	166	90	350	60	17.5
DN250	390	199	175	500	68	26.8
DN300	426	234	175	500	78	41.8

Dimensions

Item	Material	Specification
Body	Ductile Iron	EN-GJS-450-10
Seat	Elastomer	Nitrile
Disc	Ductile Iron (Nickel coated)	EN-GJS-450-10
Upper Shaft	Stainless Steel	X20CR13; 1.4021
Lower Shaft	Stainless Steel	X20CR13; 1.4021
Shaft Bearing	PTFE	PTFE
O Rings	Elastomer	Nitrile
Lever	Aluminium (Polyester coated)	Yellow in colour

Materials

DVGW Gas Approved to EN13774:2003  
EN593  
Face to Face: EN558-1 serie 20  
End Flange: BS EN 1092-2 PN16  
Top Flange: ISO5211:2003  
Tightness: EN 12266-1 rate A

Working Temperature: -23 to +82°C  
Pressure rating: PN16

Specification



Herz Valves UK Ltd  
Progress House  
Moorfield Point  
Moorfield Road  
Guildford  
Surrey  
GU1 1RU

Tel 01483 502211  
Fax 01483 502025

Sales@herzvalves.com

www.herzvalves.com