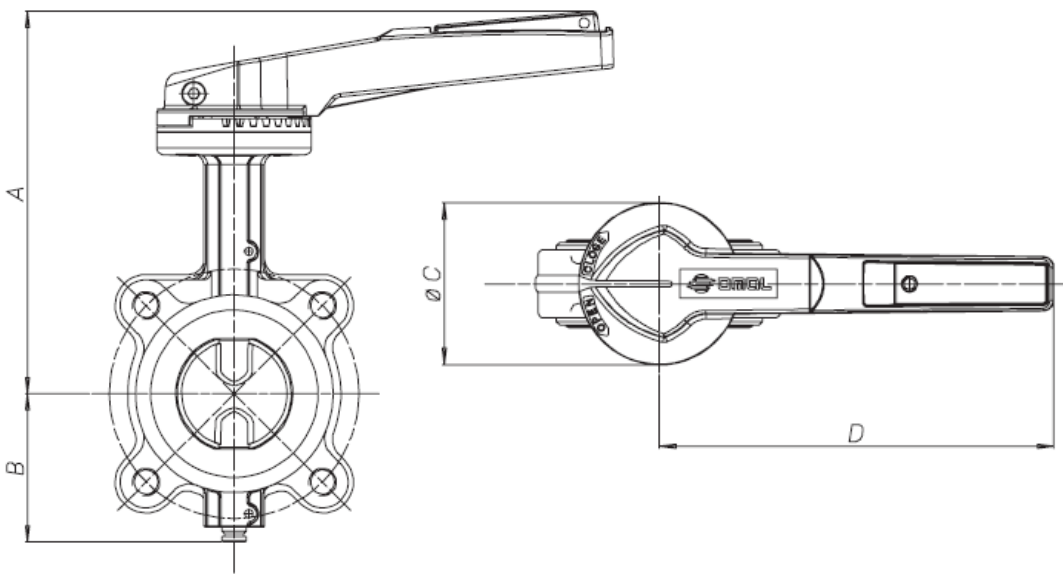


# HERZ Fully Lugged Gas Butterfly Valve PN16

Standard sheet for  
HV-BF-FLL-GAS  
(0724)



Size	A	B	ØC	D	Kg	Torque (Nm)
DN50	203	80	90	160	3.4	26
DN65	225	86	90	220	4.3	36
DN80	230	95.5	90	220	5.5	40
DN100	250	108	90	220	6.6	50
DN125	277	124.5	90	350	9	75
DN150	290	137	90	350	11.4	102
DN200	325	166	90	350	17.5	200
DN250	390	199	175	500	26.8	240
DN300	426	234	175	500	41.8	350

Dimensions

Item	Material	Specification
Body	Ductile Iron	EN-GJS-450-10
Seat	Elastomer	Nitrile
Disc	Ductile Iron (Nickel coated)	EN-GJS-450-10
Upper Shaft	Stainless Steel	X20CR13; 1.4021
Lower Shaft	Stainless Steel	X20CR13; 1.4021
Shaft Bearing	PTFE	PTFE
O Rings	Elastomer	Nitrile
Lever	Aluminium (Polyester coated)	Yellow in colour

Materials

DVGW Gas Approved to EN13774:2003  
EN593  
Face to Face: EN558-1 serie 20  
End Flange: BS EN 1092-2 PN16  
Top Flange: ISO5211:2003  
Tightness: EN 12266-1 rate A

Working Temperature: -23 to +82°C  
Pressure rating: PN16

Specification



Herz Valves UK Ltd  
Unit 2B  
Centurion Business Park  
Sturrock Way, Bretton  
Peterborough  
PE3 8YF

Tel: 01733 330330

Email: Sales@herzvalves.com

Web: www.herzvalves.com