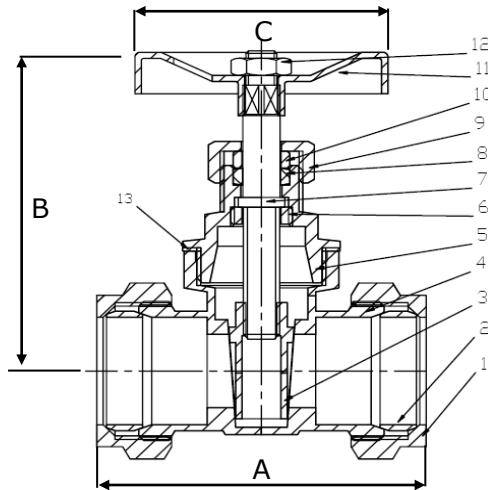


HERZ Brass Compression Gate Valve PN16

Standard sheet for
HV5154CXC
(0724)



	Component	Material	BS EN
1	Nut	Brass	12165 CW617N
2	Olive		
3	Wedge	Brass	12165 CW617N
4	Body	Brass	12165 CW617N
5	Bonnet	Brass	12165 CW617N
6	Bonnet Nut	Brass	2874 CW614N
7	Spindle	Brass	2874 CW614N
8	Seal	PTFE	
9	Gland Nut	Brass	2874 CW614N
10	Gland	Brass	2874 CW614N
11	Handwheel	Pressed Steel	
12	Nut	Brass	2874 CW614N
13	Seal	PTFE	

Dimensions							
Size	(mm)	15	22	28	35	42	54
A	mm	61.6	68.2	75.5	91.8	98.7	117
B	mm	65	75.5	85.4	128.3	146.6	169.7
C	mm	50.3	50.3	59	78.1	98.5	98.5
Weight	kg	0.2	0.3	0.5	1.0	1.3	2.2

Dimensions

BS EN 12288:2010
Pressure/Temperature Rating
5 bar @ 120°C
16 bar @ 30°C

Compression ends to BS EN 1254-2
Test pressure
Shell 24 bar
Seat 17.6 bar

Lockshield versions are also available in sizes 15 – 28mm

Specification



Herz Valves UK Ltd
Unit 2B
Centurion Business Park
Sturrock Way, Bretton
Peterborough
PE3 8YF

Tel: 01733 330330

Email: Sales@herzvalves.com

Web: www.herzvalves.com