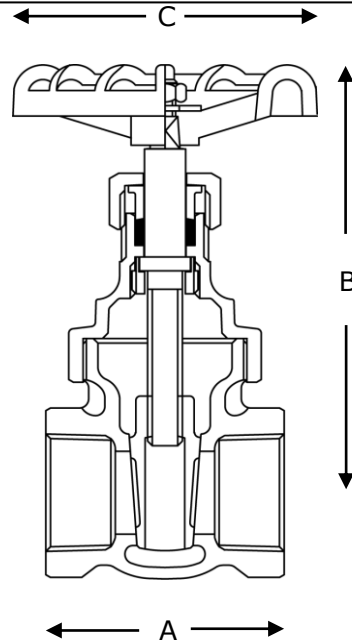


# HERZ Bronze Gate Valve PN20

Standard sheet for  
HV5520 (0724)



Component	Material	Specification	
		BS EN	ASTM
Handwheel	Cast Iron	1561 EN-JL 1030	A 126 CL B
Stem	Brass	12164 CW 603N	B16 C36000
Gland Packing	PTFE		
Stem Ring	Brass	12164 CW 603N	B16 C36000
Bonnet	Bronze	1982 CC491K	B62-C83600
Wedge	Bronze	1982 CC491K	B62-C83600
Body	Bronze	1982 CC491K	B62-C83600

Materials

Dimensions							
Size	(inches)	1/2"	3/4"	1"	1 1/4"	1 1/2"	2"
A	mm	48	52	59	63	67	74
B	mm	78	94	109	120	142	163
C	mm	53	64	69	80	89	102
Weight	kg	0.3	0.5	0.7	1.0	1.3	1.9

Dimensions

BS EN 12288:2010

Pressure/Temperature Rating

9 bar @ 180°C

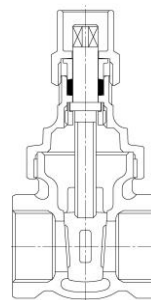
20 bar @ -10 to 100°C

BS21 Taper Thread (ISO 7)

Test pressures.

Shell 30 bar

Seat 22 bar



Specification

**Lockshield versions are also available in all sizes**



Herz Valves UK Ltd  
Unit 2B  
Centurion Business Park  
Sturrock Way, Bretton  
Peterborough  
PE3 8YF

Tel: 01733 330330

Email: Sales@herzvalves.com

Web: www.herzvalves.com