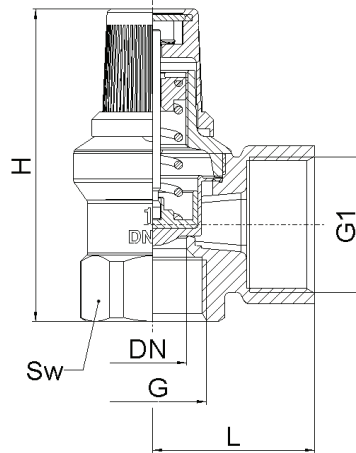


HERZ Pressure Relief valve

Data sheet **1 26XX 0X**, Issue 0616

☑ Dimensions



Order Nr.	DN	P _{out} * [bar]	G [in]	G1 [in]	L [mm]	H [mm]	Sw [mm]	P** [kW]	Q*** [m ³ /h]	α _w ****	Weight [Kg]
1 2611 01	15	2,5	1/2"	3/4"	32	72	27	75	1,6	0,147	0,118
1 2612 01	15	3	1/2"	3/4"	32	72	27	75	1,9	0,131	0,118
1 2615 01	15	4	1/2"	3/4"	32	72	27	75	/	/	0,118
1 2613 01	15	6	1/2"	3/4"	32	72	27	75	5,1	0,219	0,118
1 2685 01	15	8	1/2"	3/4"	32	72	27	75	/	/	0,118
1 2695 01	15	10	1/2"	3/4"	32	72	27	75	/	/	0,118
1 2618 02	20	1,8	3/4"	1"	35	72	32	100	/	/	0,19
1 2604 02	20	2,5	3/4"	1"	35	72	32	100	1	0,112	0,19
1 2605 02	20	3	3/4"	1"	35	72	32	100	1	0,1	0,19
1 2606 02	20	6	3/4"	1"	35	72	32	150	1	0,093	0,19
1 2686 02	20	8	3/4"	1"	35	72	32	150	/	/	0,19
1 2696 02	20	10	3/4"	1"	35	72	32	150	/	/	0,19
1 2607 03	25	2,5	1	1-1/4"	50	97	41	200	1,2	0,056	0,563
1 2608 03	25	3	1	1-1/4"	50	97	41	200	2,6	0,106	0,54
1 2647 03	25	4	1	1-1/4"	50	97	41	200	/	/	0,54
1 2657 03	25	5	1	1-1/4"	50	97	41	200	/	/	0,54
1 2667 03	25	6	1	1-1/4"	50	97	41	200	2,4	0,053	0,562
1 2687 03	25	8	1	1-1/4"	50	97	41	200	2,5	0,097	0,558
1 2697 03	25	10	1	1-1/4"	50	97	41	200	/	/	0,558
1 2609 04	32	2,5	1-1/4"	1-1/2"	52	97	50	350	2,2	0,057	0,728
1 2610 04	32	3	1-1/4"	1-1/2"	52	97	50	350	2,7	0,072	0,728
1 2669 04	32	6	1-1/4"	1-1/2"	52	97	50	350	/	/	0,728
1 2689 04	32	8	1-1/4"	1-1/2"	52	97	50	350	/	/	0,73

*P_{out} = outlet pressure

**P = boiler output

***Q = flow

****α_w = flow coefficient

Material and construction

Body:	forged brass acc. to EN 12165, CW617N
Spring:	spring steel W.Nr. 1.4310
Diaphragm:	VMQ-Silicom 50 Sha
Lid:	plastic PA6 (DN 15-20), CW617N (DN25-32)
Cap:	plastic PA6
Name plate:	plastic PA6
Internal threaded connectors:	acc. to ISO 228-1

Operating data

Outlet pressure:	factory settings, see table above
Boiler output:	see table above
Flow:	see table above
Flow coefficient:	see table above
Min. temperature:	0°C (water 0,5 °C)
Max. temperature:	110°C (water-no steam)
Form and testing designed acc. to standard:	EN ISO 4126

Field of application

HERZ pressure relief valve is used as a protective element on the central heating boilers and in closed heating systems. It protects the boiler and installation against increased pressure. Opening pressure is equal to the nominal pressure.

Assembly instruction

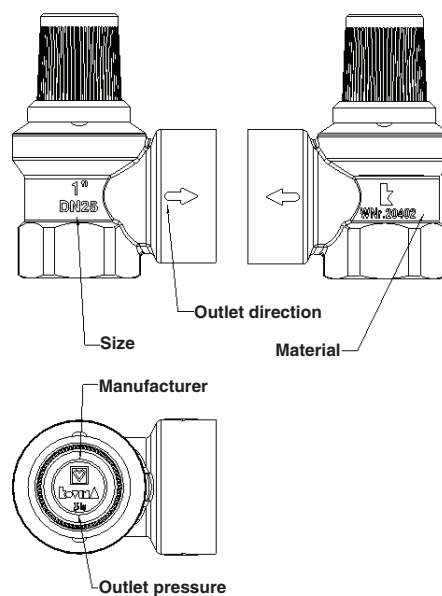
The threads of the pipe have to be coated with a suitable sealing material (spinning material, Teflon ribbon, sealing paste). There should not be excess of sealing material on the pipe because it can damage the thread. The pressure relief valve with thread (G) is screwed onto the pipe. When assembling, use a suitable assembly tool that adapts to the safety valve end connections. Following assembly, the connections of the valve must be checked for water-tightness by the installer. All engineering standards and recognised regulations must be adhered to. If there are impurities in the medium (water too hard, dust, etc.) a filter should be installed, in other case the impurities can damage the seals in the valve. The outlet direction of increased pressure into the atmosphere is shown by the arrow on the pressure relief valve housing, which must be observed during assembly. There must be no shut-off element (ball valve ...) between the boiler and the HERZ pressure relief valve.

Maintenance instruction

It is recommended to check the operation of the pressure relief valve once a year by turning the cap left for at least 90°. The pressure relief valve doesn't need any special maintenance.

Disposal instruction

The disposal of HERZ Pressure relief valve must not endanger the health or the environment. National legal regulations for proper disposal of the HERZ Pressure relief valve have to be followed.

Labels on Pressure relief valves


Please note: All specifications and information within this document are reflecting the information available at the time of going to print and meant for informational purpose only. Herz Armaturen reserves the right to modify and change products as well as its technical specifications and/or its function according to technological progress and requirements. All diagrams are indicative in nature and do not to be complete. It is understood that all images of Herz products are symbolic representations and therefore may visually differ from the actual product. Colours may differ due to printing technology used. In case of any further questions don't hesitate to contact your closest HERZ Branch-Office.