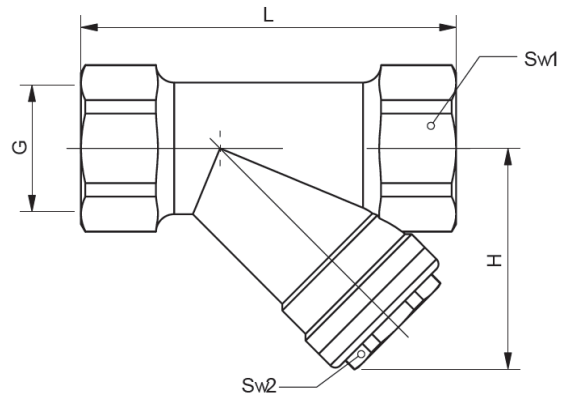


# HERZ strainer with female thread

Data sheet for **2662** Issue 0417

## ☑ Dimensions in mm



Order number	DN	PN	G	L	H	Sw1	Sw2
1 2662 01	15	16	1/2	68	37	25	22
1 2662 02	20	16	3/4	80	46	32	24
1 2662 03	25	16	1	90	54	41	25

## ☑ Material

Body      forged brass CW617N  
 Mesh      expanded metal, rhombic mesh, Stainless steel 1.4301,  
                  Mesh size 0,5mm  
 Sealings   EPDM

## ☑ Technical data

max. operating pressure      depending on design, see table above  
 max. operating temperature      110°C  
 Heating water quality according ÖNORM H5195 or VDI-Standard 2035.  
 The use of ethylene or propylene glycol in a mixing ratio 25- 50% is allowed.

## ☑ Application

Strainers are installed in pipes to protect the finely machined valve seats from particles. Field of application is building services, such as in heating or chilled water units for air conditioning in buildings. EPDM Sealings can be destroyed by organic hydro carbons, which are occurring in natural gas, mineral oil or lubricants.

**☑ Installation and maintenance**

A horizontal or vertical installation is possible, taking into account the flow direction. The screening mesh chamber should face down. HERZ recommends using standard thread sealants for the connection between strainer and pipe.

The strainer can be removed and cleaned by opening the locking screw. Drain the system before opening the locking screw. Reassemble in reverse order. Damage to the sealings have to be avoided. For service it is recommended to install isolators before and after the strainer.

**☑ Kvs- Value**

Order number	2662		
Dimension	DN 15	DN 20	DN 25
Kvs	2,2	4,87	5,03

**☑ Spare Parts**

1 6386 11	DN15	Mesh 0,50mm
1 6386 12	DN20	Mesh 0,50mm
1 6386 13	DN25	Mesh 0,50mm

All specifications and statements within this document are according to information available at the time of printing and meant for informational purpose only. Herz Armaturen reserves the right to modify and change products as well as its technical specifications and/or its functioning according to technological progress and requirements. It is understood that all images of Herz products are symbolic representations and therefore may visually differ from the actual product. Colours may differ due to printing technology used. In case of any further questions don't hesitate to contact your closest HERZ Branch-office.