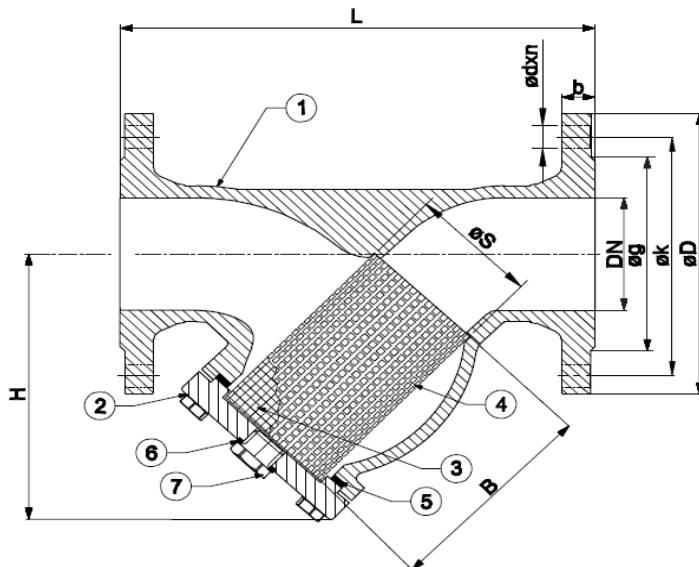


HERZ - Y - Type Strainer

Data sheet for 4 4111 Issue 0916

Dimensions in mm



DN	65 2-1/2	80 3	100 4	125 5	150 6	200 8	250 10	300 12	350 14	400 16
Order #	4 4111 81	4 4111 82	4 4111 83	4 4111 84	4 4111 85	4 4111 86	4 4111 87	4 4111 88	4 4111 89	4 4111 90
L	290	310	350	400	480	600	730	850	980	1100
H	165	175	236	267	298	340	390	440	520	630
H max.	333	363	454	510	579	657	875	960	1160	1329
B	132	149	192	227	244	313	395	425	640	699
S	78	89,5	109	135	160	210	258	308	365	410
D	185	200	220	250	285	340	405	460	520	580
k	145	160	180	210	240	295	355	410	470	525
g	118	132	156	184	211	266	319	370	429	480
b	20	22	24	26	26	30	32	32	36	38
d	19	19	19	19	23	23	28	28	28	31
n	4	8	8	8	8	12	12	12	16	16
Weight kg	16	21,5	28,5	39	52,5	89,5	149	228	340	505
Mesh mm	2.0	2.0	2.0	2.0	2.0	4.0	4.0	4.0	6.0	6.0

Flange Dimensions according to EN 1092-2

Specification

For hot and cold water systems for fluids excluding acid and flammable fluids. Heating water quality according ÖNORM H5195 or VDI- Standard 2035. The use of ethylene or propylene glycol in a mixing ratio 25- 50% is allowed.

Temperatures -10°C ... +120°C
 Max. Pressure PN16

Part #	Part	Material
1	Body	GG25
2	Bonnet	GG25
3	Filter	AISI 304
4	Reinforcing frame	Stainless steel
5	Gasket	Klingerit
6	Plug gasket	Copper
7	Plug	St37

Kvs Value

DN	65	80	100	125	150	200
Kvs (m³/h)	70	114	197	271	349	449

Installation Operation and Maintenance Instructions

Pressure/Temperature Rating

Strainers must be installed in a piping system whose normal pressure and temperature do not exceed the above ratings.

The maximum allowable pressure in Strainers as specified in the standards is for non-shock conditions. Water hammer and impact for example, should be avoided.

If the limits of use specified in these instructions are exceeded or if the Strainer is used on applications for which it was not designed, a potential hazard could result.

Layout and Siting

It should be considered at the design stage where strainers will be located to give access for operation, cleaning, maintenance and repair.

Strainers must be provided with adequate support. Adjoining pipework must be supported to avoid the imposition of pipeline strains on the strainer.

Heavy strainers may need independent support or anchorage.

Installation

Prior to installation, a check of the identification plate and body marking must be made to ensure that the correct Strainer is being installed.

Strainers are precision manufactured items and as such, should not be subjected to misuse such as careless handling, allowing dirt to enter the strainer through the end ports, lack of cleaning both strainer and system before operation and excessive force during bolting.

All special packaging material must be removed.

Strainers must be provided with adequate support. Adjoining pipework must be supported to avoid the imposition of pipeline strains on the strainer.

Immediately prior to installation, the pipework to which the strainer is to be fastened should be checked for cleanliness and freedom from debris.

Note:

The strainer must be installed with the direction arrow on the body coincident with the direction of flow in the pipeline. For vertical pipework the flow direction shall be downwards only.

If strainers are installed in horizontal pipework the strainer body must be lowermost.

For the purpose of maintenance the strainer shall be installed with sufficient room so that the strainer element can be withdrawn from beneath in a downwards direction.

The strainer interior should be inspected through the end ports to determine whether it is clean and free from foreign matter.

The mating flanges (both strainer and pipework flanges) should be checked for correct gasket contact face, surface finish and condition. If a condition is found which might cause leakage, no attempt to assemble should be made until the condition has been corrected.

The gasket should be suitable for operating conditions or maximum pressure/temperature ratings and should be checked to ensure freedom from defects or damage.

Care should be taken to provide correct alignment of the flanges being assembled. Suitable lubricant on bolt threads should be used. In assembly, bolts are tightened sequentially to make the initial contact of flanges and gaskets flat and parallel followed by gradual and uniform tightening in an opposite bolting sequence to avoid bending one flange relative to the other, particularly on flanges with raised faces.

Parallel alignment of flanges is especially important in the case of the assembly of a strainer into an existing system.

Flanged joints depend on compressive deformation of the gasket material between the flange surfaces.

The bolting must be checked for correct size, length, material and that all connection flange bolt holes are utilized.

Operating

The element will require cleaning after the flushing process and periodically thereafter.

Maintenance

The strainer should be at zero pressure and ambient temperature prior to any maintenance.

Maintenance Engineers & Operators are reminded to use correct fitting tools and equipment.

Strainer Element Cleaning and Gasket replacement

The strainer has a bolted cover which requires removing to allow withdrawal of the strainer element.

1. Isolate the strainer from the system pressure and drain.
2. Slacken all bolts gradually and remove sequentially taking care to support the weight of the cover as the final bolt is removed.
3. Clean the strainer element using a brush and or water jet. A face mask should be worn as a precaution to prevent inhalation of particles or contaminated water.
4. Once the strainer element has been cleaned the strainer can be re-assembled. The sealing gasket should be renewed if damage has occurred. Ensure the body and cover joint faces are clean.
5. Locate the strainer in the cover and offer up to the body, aligning the bolt holes. Fit bolts and tighten sequentially.

Drain Plug

The drain plug may be removed to allow debris to be flushed from the strainer and will require isolation of the strainer from the system.

Prior to commissioning a drain cock may be fitted to replace the plug which will allow strainer flushing whilst under line pressure

All specifications and statements within this document are according to information available at the time of printing and meant for informational purpose only. Herz Armaturen reserves the right to modify and change products as well as its technical specifications and/or its functioning according to technological progress and requirements. It is understood that all images of Herz products are symbolic representations and therefore may visually differ from the actual product. Colours may differ due to printing technology used. In case of any further questions don't hesitate to contact your closest HERZ Branch-office.