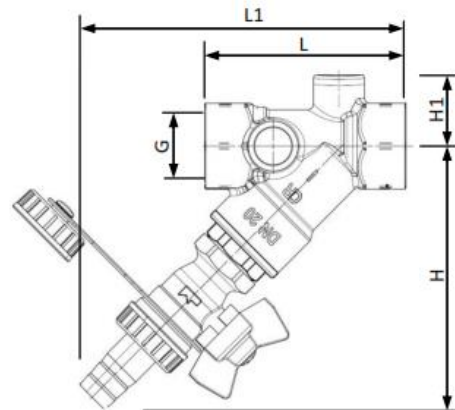


HERZ Strainer with Drain Valve

Female Thread

Data sheet for 1 4111 4x, Issue 0318

☑ Dimensions



Order number	DN	PN	G	L	L1	H	H1	kv
1 4111 41	15	10	1/2	65	112	102	24	3.1
1 4111 42	20	10	3/4	75	122	111	26	6.9

☑ Material

Body	DZR Brass CC752S
Mesh	Expanded metal, rhombic mesh Stainless Steel 1.4301, Mesh size 0.5mm
Seal	EPDM

☑ Technical data

Max operating pressure see above table
 Max operating temperature 110°C
 Heating water quality according ÖNORM H5195 or VDI-Standard 2035.
 The use of ethylene or propylene glycol in a mixing ratio 25- 50% is allowed.

☑ Application

Strainers are installed in pipes to protect finely machined valve seats from particles and debris. The field of application is building services, such as in heating or chilled water units for air conditioning in buildings. EPDM Seals can be destroyed by organic hydro carbons, which are occurring in natural gas, mineral oil or lubricants.

☑ Installation and maintenance

Horizontal or vertical installation is possible, taking into account the flow direction. The mesh screen chamber should face down. HERZ recommends using standard thread sealants for the connection between strainer and pipe.

The strainer can be removed and cleaned by opening the locking screw. Drain the system before opening the locking screw. Reassemble in reverse order. Damage to the seals has to be avoided. It is recommended to install isolation valves before and after the strainer for servicing.

☑ Spare parts

1 6386 31	DN15	Mesh 0.50mm
1 6386 32	DN20	Mesh 0.50mm



HERZ Drain valves

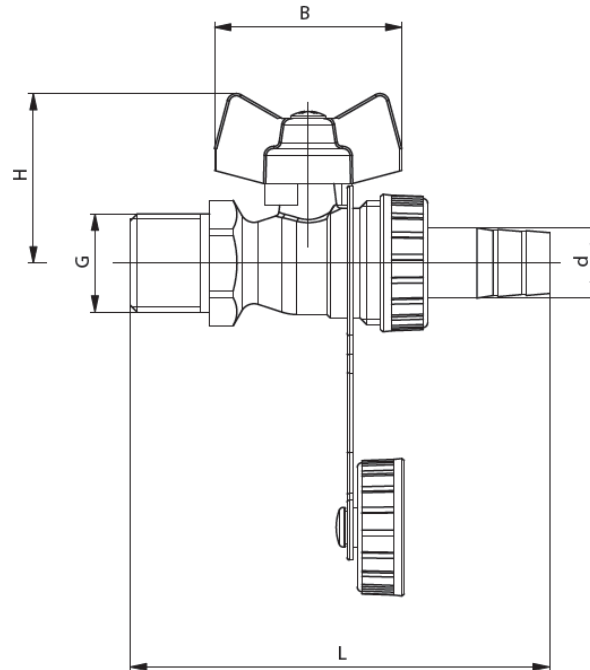
Hose Union Ball valve

Data sheet for 2512 Issue 0717

Dimensions in mm



1 2512 0x



Order #	DN	G	PN	d	L	H	A	Sw
1 2512 01	15	1/2	10	15	83	37	40	24
1 2512 02	20	3/4	10	19	98	40	40	30

Materials

Body	Forged brass CW617N
Ball	Forged brass CW617N, full bore, Surface chrome plated
Spindle	Brass CW614N
Handle	Aluminium red painted
Sealings	Ball: PTFE, Spindle: PTFE

Technical data

max. operating pressure: PN10
 max. operating temperature: - 30°C to 110°C
 Heating water according ÖNORM H5195 or VDI- Standard 2035.
 The use of ethylene, or propylene glycol in a mixing ratio 25- 50% is allowed.

Application

The drain valves are installed as valves to fill and drain systems. Fields of application are building services, such as in heating or chilled water plant in buildings. Aromatic chlorinated hydrocarbons such as natural gas or petroleum occurring in, destroy the EPDM seals.

Installation and maintenance

HERZ recommends the use of standard thread sealants for the connection between the drain valves and pipe.

The drain valve should always be fully opened or closed, not used in intermediate positions. The drain valves do not require any special maintenance. At least twice a year, the drain valves should be operated.

Accessories

Hose connection with union nut for DN15	1 6206 01
Hose connection with union nut for DN20	1 6206 02

The hose connection is to be ordered separately.

All specifications and statements within this document are according to information available at the time of printing and meant for informational purpose only. Herz Armaturen reserves the right to modify and change products as well as its technical specifications and/or its functioning according to technological progress and requirements. It is understood that all images of Herz products are symbolic representations and therefore may visually differ from the actual product. Colours may differ due to printing technology used. In case of any further questions don't hesitate to contact your closest HERZ Branch-office.