

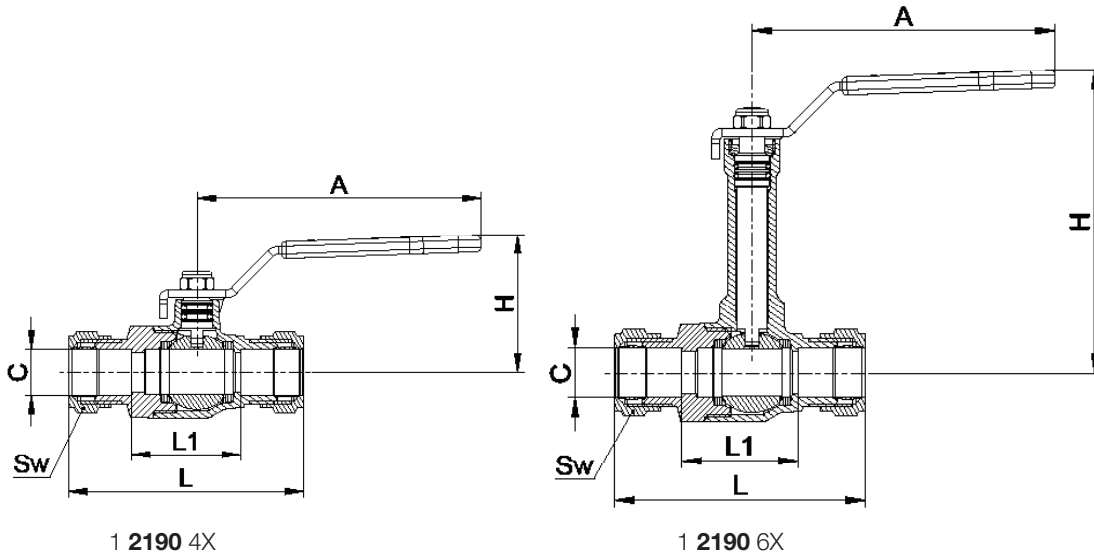
# HERZ - BALL VALVE

with compression ends

Datasheet 1 2190 4X (6X), issue 0617



## ☑ Dimensions



Model	DN	PN [bar]	Cu	C [mm]	L [mm]	L1 [mm]	H [mm]	A [mm]	Sw
1 2190 41	15	16	15	15,2	76,5	35,5	47	90	24
1 2190 42	20	16	22	22,2	81	37	49	90	32
1 2190 43	25	16	28	28,1	95	44,4	61	135	37
1 2190 44	32	16	35	35,1	108,5	54,6	65	135	46
1 2190 45	40	16	42	42,2	122	60	84	180	60
1 2190 46	50	16	54	54,4	134	72	90	180	70
1 2190 61	15	16	15	15,2	76,5	35,5	94	90	24
1 2190 62	20	16	22	22,2	81	37	97	90	32
1 2190 63	25	16	28	28,1	95	44,4	110	135	37
1 2190 64	32	16	35	35,1	108,5	54,6	114	135	46
1 2190 65	40	16	42	42,2	122	60	135	180	60
1 2190 66	50	16	54	54,4	134	72	142	180	70

## ☑ Material and construction

Body:	forged brass acc. to EN 12165, CW602N, DZR
Ball:	forged brass acc. to EN 12165, hollow, full bore hard chrome plated, CW602N, DZR
Spindle:	machined brass acc. to EN 12164, CW614N
Handles:	lever handle, red, sheet steel - plated
Ball seals:	PTFE
Spindle seals:	EPDM

## ☑ Operating data

Maximum pressure:	16 bar (20 °C)
Temperature range:	120 °C (5 bar)
Construction and tests:	WRAS approved

### ☑ Field of application

HERZ – ball valve with compression ends is designed for easy and fast installation of the valve in the pipe network. It is suitable for heating and chilled water systems where the pipes are made from copper, carbon steel and stainless steel. Tightening pipe connection system is made from components that allow quick installation without special tools and sealing materials. It enables effective seal and easy adjustment of the position of the ball valve in the pipe network.

### ☑ Instruction for assembling and maintenance

Ensure that the tube has been cut straight and deburred properly leaving no sharp edges. Insert the tube firmly into the compression fitting, ensuring that the compression ring seats centrally and that the tube makes firm contact in the bottom of the valve housing.

Hand tighten the nut then, using a suitable spanner, further tighten a 3/4 turn (270°) for sizes 15mm to 42mm and one full turn for 54mm, ensuring the valve body is secured with a suitable tool. A light oil can be used on the threads to assist tightening. If sealant paste is required, use a suitable WRAS approved PTFE based compound.

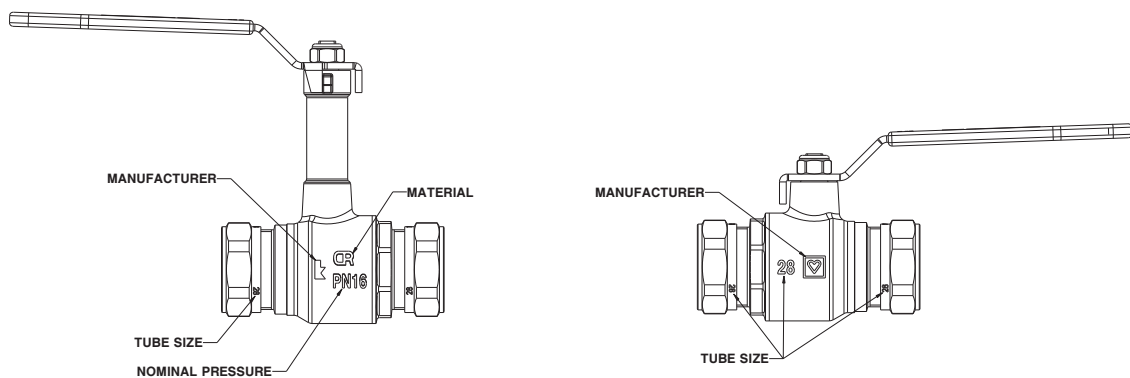
### ☑ Maintenance instruction

When the ball valve for heating and chilled water is installed, it does not require any special maintenance. It is recommended to close and open the ball valve periodically (at least twice a year).

### ☑ Disposal instruction

The disposal of HERZ ball valves for heating and chilled water must not endanger the health or the environment. National legal regulations for proper disposal of the HERZ ball valves for heating and chilled water have to be followed.

### ☑ Labels on ball valve



**Please note:** all diagrams are indicative in nature and do not claim to be complete.

All specifications and statements within this brochure are according to information available at the time of printing and meant for informational purpose only. Herz Armaturen reserves the right to modify and change products as well as its technical specifications and/or its functioning according to technological progress and requirements. It is understood that all images of Herz products are symbolic representations and therefore may visually differ from the actual product. Colours may differ due to printing technology used. In case of any further questions don't hesitate to contact your closest HERZ Branch-office.