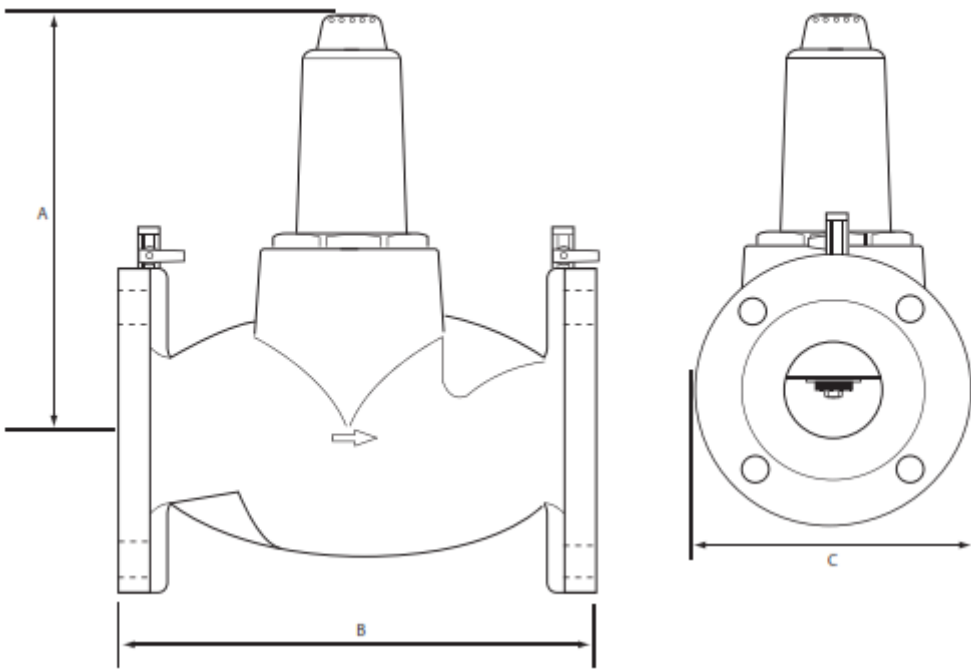


HERZ Pressure Reducing Valve PN16

Standard sheet for
HVPRV (0413)



Size	DN	65	80	100
A	mm	283	283	283
B	mm	290	310	350
C	mm	185	200	220

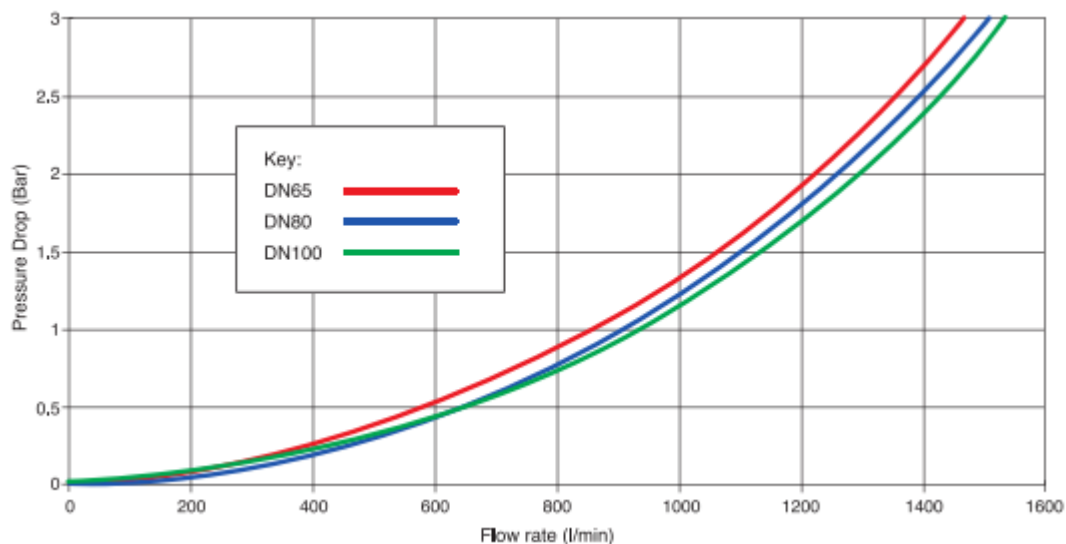
Dimensions

Component	Material
Body	Bronze
Seals	EPDM
Spring	Stainless Steel
Strainer	Stainless Steel
Diaphragm	EPDM
Cover	ABS Plastic

Materials

WRAS
DVGW
BSEN 1567
Max Fluid Temperature: 45°C
Max Working Pressure: 16 bar
Adjustable Pressure Range: 1.5 – 6 bar
Flange: PN16

Specification



Valve Sizing

Pressure Reducing Valve Sizing Guide		
Size DN	Residential Building	Commercial Building
	Max flow rate Vs	Max flow rate Vs
	l/s	l/s
15	0.5	0.5
20	0.8	0.9
25	1.3	1.5
32	2	2.4
40	2.3	3.8
50	3.6	5.9
65	6.5	9.7
80	9	15.3
100	12.5	23.3



Herz Valves UK Ltd
 Progress House
 Moorfield Point
 Moorfield Road
 Guildford
 Surrey
 GU1 1RU

Tel 01483 502211
 Fax 01483 502025

Sales@herzvalves.com

www.herzvalves.com