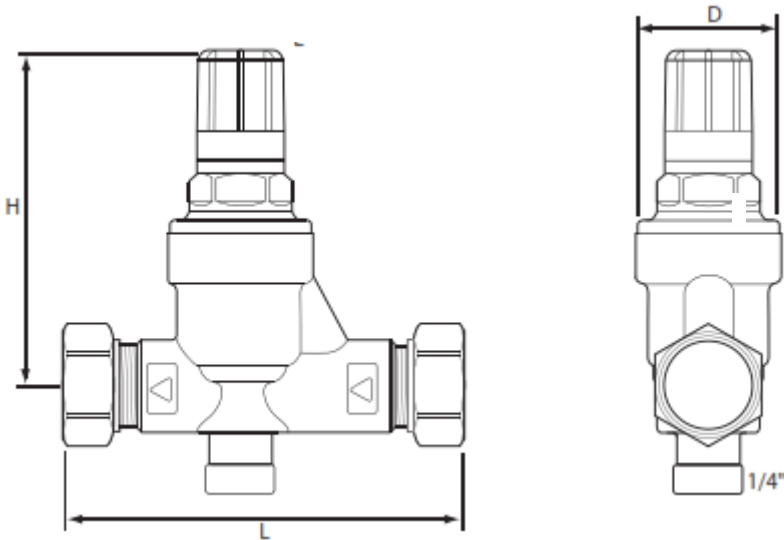


HERZ Pressure Reducing Valve PN16

Standard sheet for
HVPRVC (0713)



Size	mm	L	H	D
15mm	mm	86	97	42
22mm	mm	88	97	42

Dimensions

Component	Material
Body	DZR Brass
Seals	NBR
Internal Components	DZR Brass
Strainer	Stainless Steel
Spring	Zinc plated spring steel
Diaphragm	NBR elastomer nylon mesh
Cover	Glass filled nylon polymer

Materials

WRAS

DVGW

BSEN 1567

Max Working Temperatures:

Cold Water version 45°C

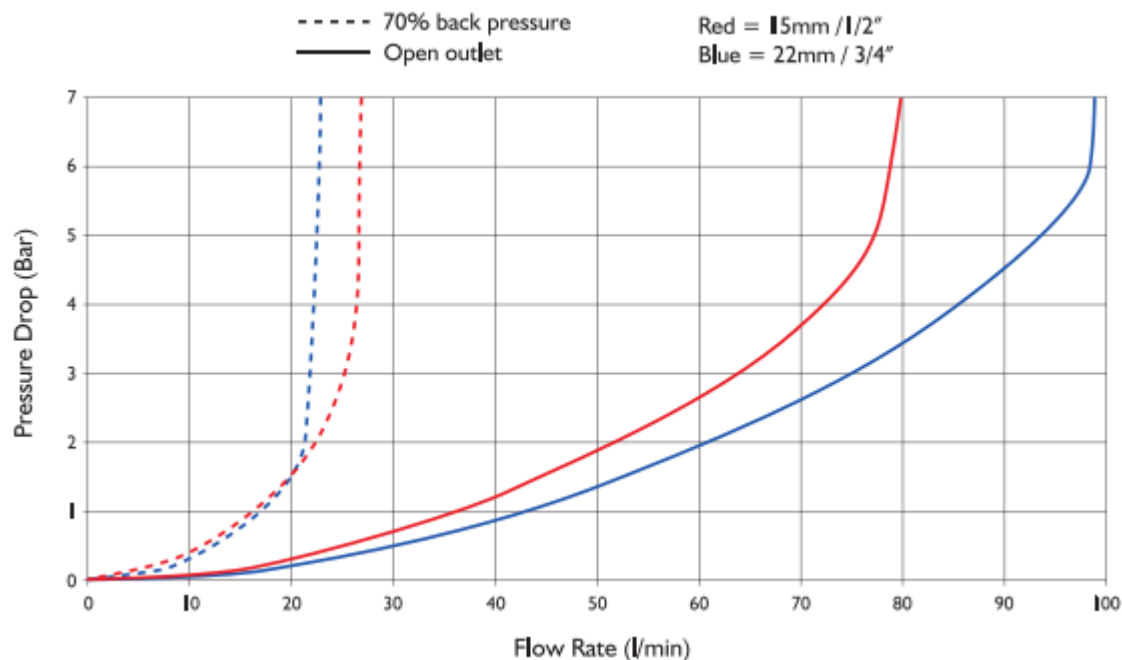
Hot Water version 85°C

Max Inlet Pressure: 16 bar

Adjustable Pressure Range: 1.5 – 5.5 bar

Pressure Reduction Ratio: 10:1 max

Specification



Valve Sizing

Pressure Reducing Valve Sizing Guide		
Size DN	Residential Building	Commercial Building
	Max flow rate Vs	Max flow rate Vs
	l/s	l/s
15	0.5	0.5
20	0.8	0.9
25	1.3	1.5
32	2	2.4
40	2.3	3.8
50	3.6	5.9
65	6.5	9.7
80	9	15.3
100	12.5	23.3
125	17.5	34.7
150	25	52.8
200	40	92
250	75	139



Herz Valves UK Ltd
 Progress House
 Moorfield Point
 Moorfield Road
 Guildford
 Surrey
 GU1 1RU

Tel 01483 502211
 Fax 01483 502025

Sales@herzvalves.com

www.herzvalves.com