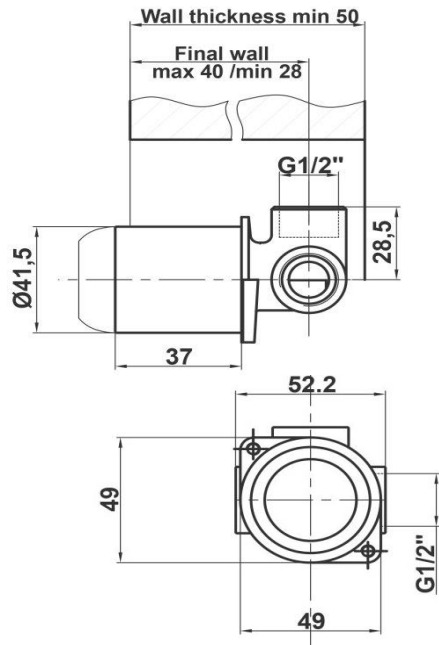




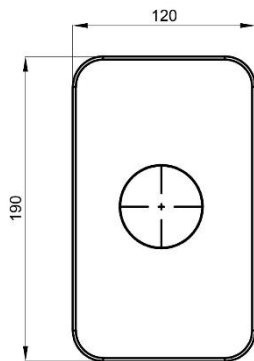
HERZ b90, i90, f90 Concealed Shower Mixer

Data sheet for B00367, UH12249, UH12259 Issue 0925

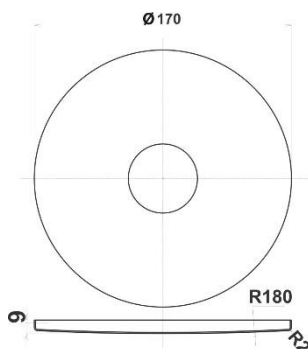
Dimensions



Infinity i90 – UH12249 Single lever



Fresh f90 – UH12259 Single lever



Material and construction

Body:	Brass acc. to EN 1982, nickel/chromium plated
Cartridge:	EU ceramic cartridge, KTW
Handle:	Zamak 0410, chromium plated
Inlet connections:	2 x Rp 1/2"
Outlet connections:	1 x Rp 1/2"

Operating data

Recommended pressure range:	3 to 5 bar
Maximum pressure:	up to 8 bar
Minimum pressure:	over 0.5 bar
Recommended temperature range:	5°C to 65°C
Maximum temperature:	80°C

UK Water regulation 4 Compliant

Installation and maintenance

Flush all water feeding tubes thoroughly before installation.

Connect the sanitary tap to the water supply outlets by means of flexible tubes. The flow restrictor/pearlator/aerator must be unscrewed before the tap is flushed through for the first time and the tap handle moved into the fully open position. Open the supply water isolation valves slowly and move the tap handle to all mixing positions. A longer lasting flushing of the tap is recommended after mounting so as to remove possible impurities. Any repairs shall be performed by adequately skilled personnel only.

With operating pressures over 5 bar, a pressure reducing valve should always be fitted to the water supply pipework.

Disposal instruction

The disposal of HERZ taps must not endanger the health or the environment. National legal regulations for proper disposal of the HERZ taps have to be followed.