



Gas Butterfly Valve DVGW Approved



Herz Gas butterfly valve is DVGW Gas Approved to EN13774:2003

The fully lugged butterfly valve body is constructed from Ductile Iron and has a Vulcanised Nitrile liner with a 316 Stainless Steel disc.

EN593

Face to Face: EN558-1 serie 20

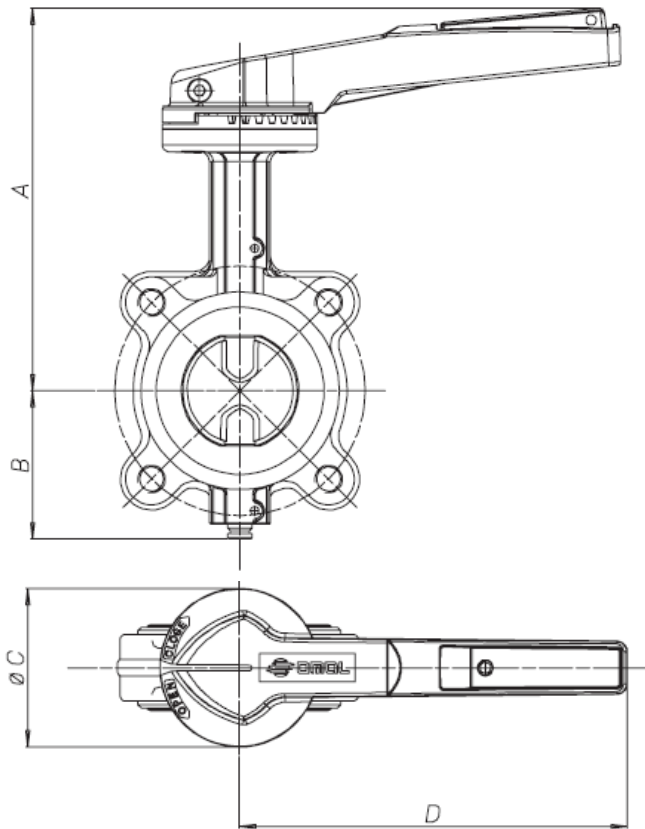
End Flange: BS EN 1092-2 PN16

Top Flange: ISO5211:2003

Tightness: EN 12266-1 rate A

Working Temperature: -23 to +82°C

Pressure rating: PN16

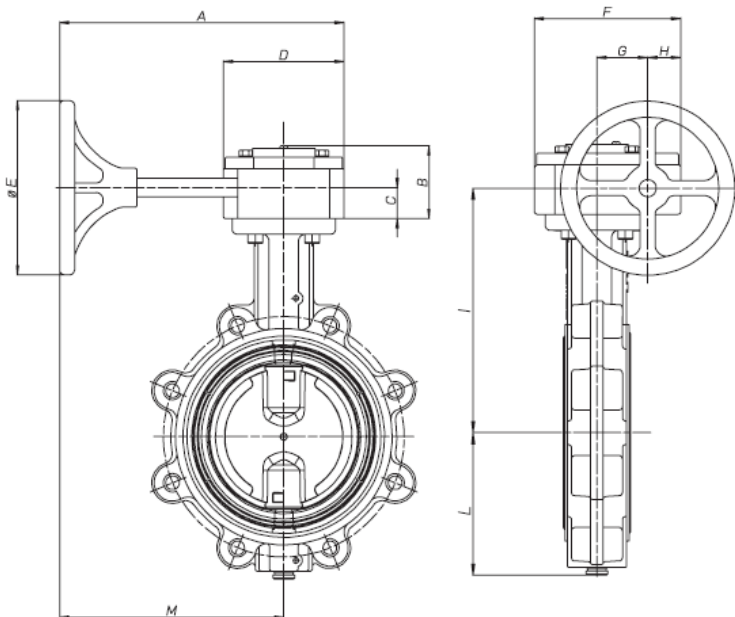


HV-BF-FLL-GAS

Lever Features

- Aluminium lever
- Polyester surface coating
- Colour yellow
- Lockable 10 position lever

Lever Version Dimensions					
Size	A	B	ØC	D	Kg
DN50	203	80	90	160	3.4
DN65	225	86	90	220	4.3
DN80	230	95.5	90	220	5.5
DN100	250	108	90	220	6.6
DN125	277	124.5	90	350	9
DN150	290	137	90	350	11.4
DN200	325	166	90	350	17.5
DN250	390	199	175	500	26.8
DN300	426	234	175	500	41.8

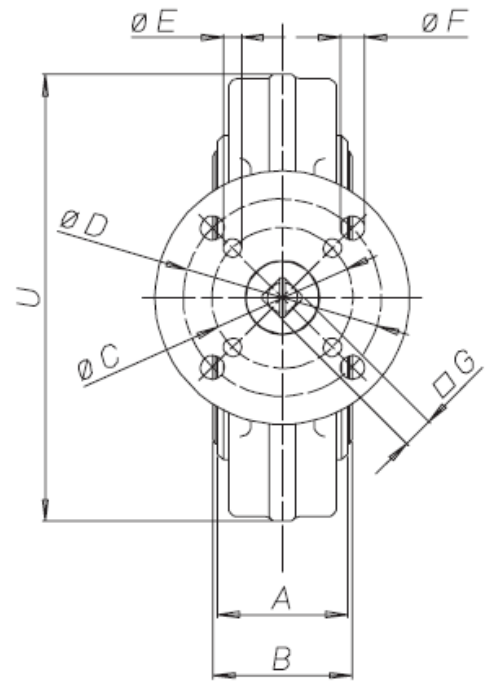
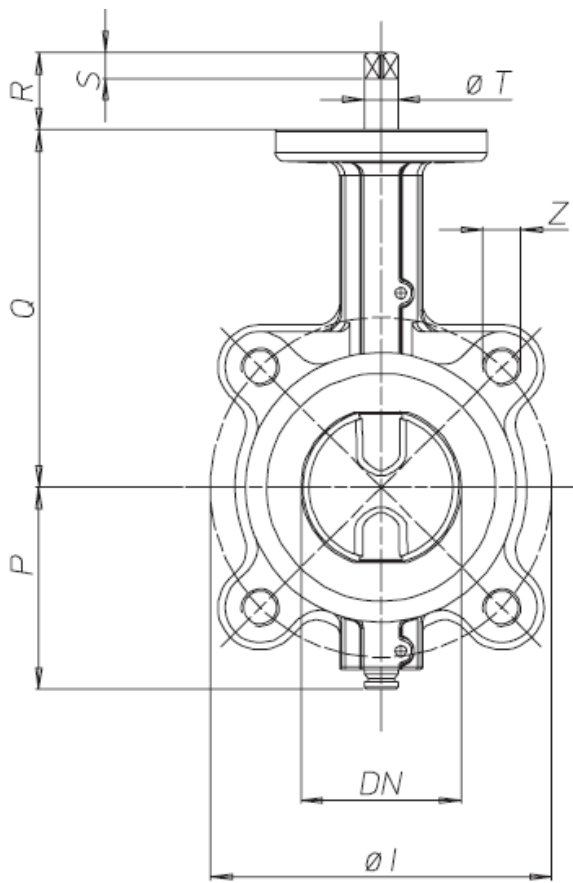


HV-BF-FLG-GAS

Gear Features

- Aluminium alloy Body
- Steel Handwheel
- Epoxy-painted surface
- Arrow position indicator

Gear Version Dimensions												
Size	A	B	C	D	ØE	F	G	H	I	L	M	Kg
DN50	245	64	27	106	152	129	45	30	167	73	192	7.1
DN65	245	64	27	106	152	129	45	30	180	80	192	7.9
DN80	245	64	27	106	152	129	45	30	186	86	192	9.1
DN100	245	64	27	106	152	129	45	30	178	103	192	10.2
DN125	245	64	27	106	152	129	45	30	217	118	192	12.3
DN150	245	64	27	106	152	129	45	30	230	132	192	14.7
DN200	320	80	34	155	320	180	66	36	273	162	243	27.8
DN250	320	80	34	155	320	180	66	36	303	194	243	36
DN300	320	80	34	155	320	180	66	36	341	226	243	51.3

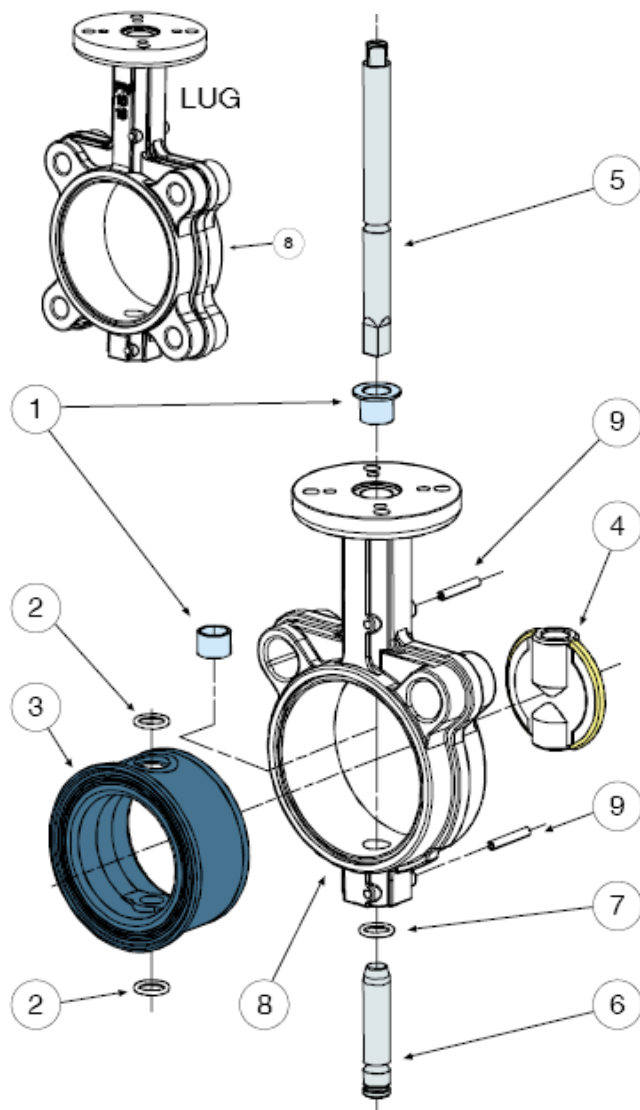


A: Face to Face

B: Liner not compressed

Valve Body Dimensions															
Size	A	B	ØC	ØD	ØE	ØF	G	I	P	Q	R	S	T	U	Z
DN50	43	46	50	70	6.5	8.5	9	125	80	140	31	9	14.2	125	M16
DN65	46	49	50	70	6.5	8.5	11	145	86	152	33	11	14.2	139	M16
DN80	46	49	50	70	6.5	8.5	11	160	96	159	33	11	14.2	184	M16
DN100	52	56	50	70	6.5	8.5	11	180	108	178	33	11	14.2	204	M16
DN125	56	59	70	-	8.5	-	14	210	125	191	36	14	19	230	M16
DN150	56	59	70	-	8.5	-	14	240	137	203	36	14	19	266	M20
DN200	60	64	70	-	8.5	-	17	295	166	238	39	17	22.2	329	M20
DN250	68	72	102	125	13	13	22	355	199	268	55	22	28.5	395	M24
DN300	78	82	102	125	13	13	22	410	234	306	55	22	28.5	448	M24

Gas Valve Part Numbers		
Size	Lever version	Geared version
DN50	HV-BF-FLL-GAS-06	HV-BF-FLG-GAS-06
DN65	HV-BF-FLL-GAS-07	HV-BF-FLG-GAS-07
DN80	HV-BF-FLL-GAS-08	HV-BF-FLG-GAS-08
DN100	HV-BF-FLL-GAS-09	HV-BF-FLG-GAS-09
DN125	HV-BF-FLL-GAS-10	HV-BF-FLG-GAS-10
DN150	HV-BF-FLL-GAS-11	HV-BF-FLG-GAS-11
DN200	HV-BF-FLL-GAS-12	HV-BF-FLG-GAS-12
DN250	HV-BF-FLL-GAS-13	HV-BF-FLG-GAS-13
DN300	HV-BF-FLL-GAS-14	HV-BF-FLG-GAS-14



Main Features

- Shaft Bearings (1) to allow perfect alignment with the disc and to minimise friction.
- Liner Vulcanised on hard ring (3) for easy service, dimensional accuracy and no deformation after assembling between flanges.
- Split Shaft (5 & 6) for less resistance through the valve.
- Disc edge machined and polished (4) for better tightness and lower wear.

Materials			
No	Item	Material	Specification
1	Shaft Bearings	PTFE	PTFE
2	Shaft O Ring	Elastomer	Nitrile
3	Liner	Elastomer	Nitrile
4	Disc	316 Stainless Steel	GX5CrNiMo 19-11-2
5	Upper Shaft	Stainless Steel	X20CR13
6	Lower Shaft	Stainless Steel	X20CR13
7	Lower O Ring	Elastomer	Nitrile
8	Body	Ductile Iron	EN-GJS-450-10
9	Spring Pin	Stainless Steel	



Herz Valves UK Ltd

Progress House
 Moorfield Point, Moorfield Road
 Slyfield Industrial Estate
 Guildford Surrey, GU1 1RU.
 Tel: 01483 502211
 Fax: 01483 502025
 E-Mail: sales@herzvalves.com
 Web: herzvalves.com